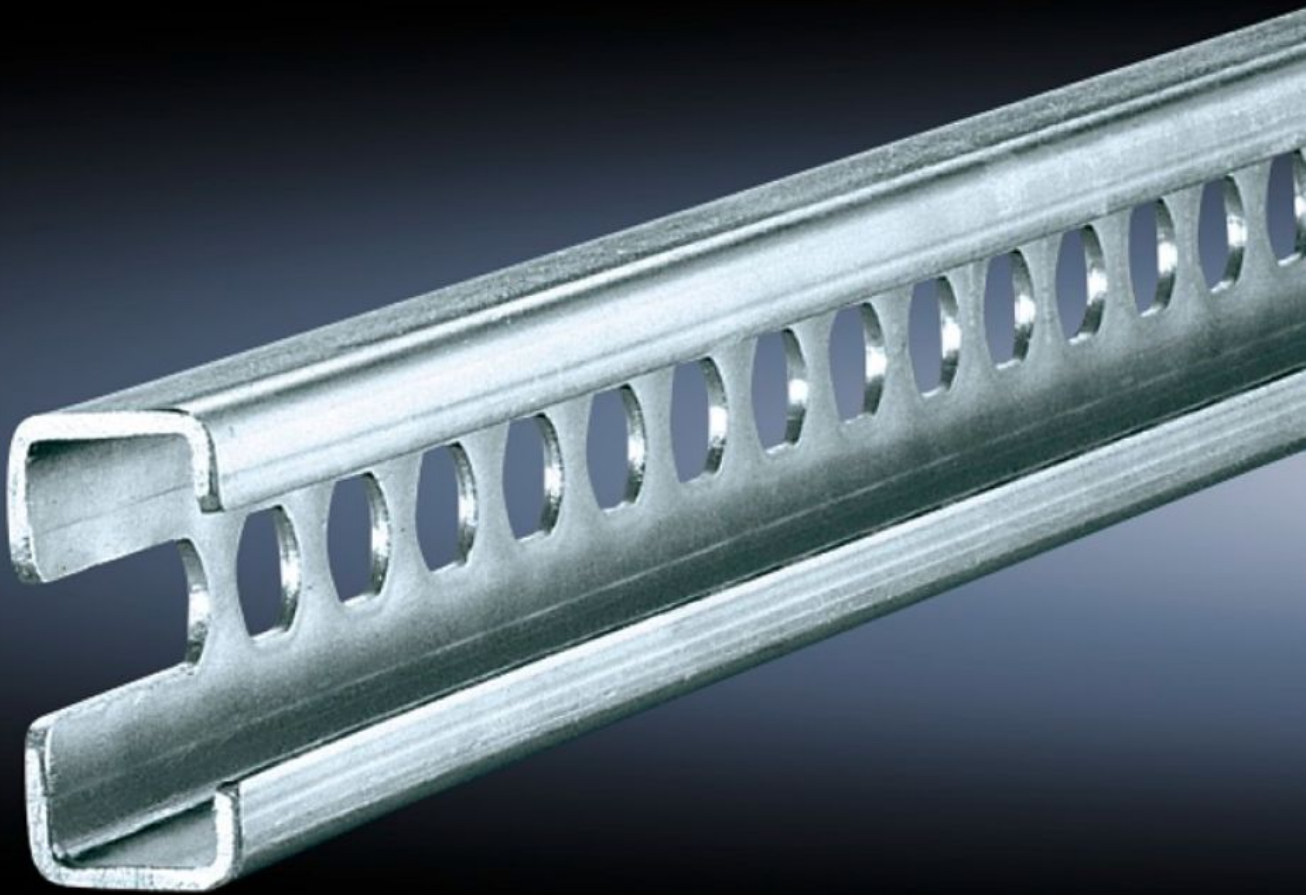


Rittal – The System.

Faster – better – everywhere.



SZ 4944.000

C rails 30/15

State: 27/09/2024 (Source: rittal.com/nz-en)

ENCLOSURES

POWER DISTRIBUTION

CLIMATE CONTROL

IT INFRASTRUCTURE

SOFTWARE & SERVICES

FRIEDHELM LOH GROUP



SZ 4944.000 - C rails 30/15 to EN 60 715 for VX, TS, VX SE

For direct installation on the horizontal enclosure section, on the base configuration rail for TP, on the vertical enclosure section via additional assembly components.



Features

| | |
|----------------------|---|
| Model No. | SZ 4944.000 |
| Material | Sheet steel |
| Surface finish | Zinc-plated |
| Length | 555 mm |
| Installation options | <p>On the inner mounting level of the VX enclosure section</p> <p>On the vertical TS, VX SE enclosure section via snap-on nuts TS 8800.808 or adaptor rails for VX compatibility</p> <p>On the horizontal VX SE enclosure section in the width, top and bottom</p> <p>On the horizontal VX SE enclosure section in the depth at the bottom (without mounting plate) and at the top via snap-on nuts 8800.808.</p> <p>On the horizontal TS enclosure section</p> |
| To fit | <p>Enclosure type: VX</p> <p>TS</p> <p>AX wall-mounted enclosure, 3-part</p> <p>To fit width/depth: 600 mm</p> |
| To fit | <p>Base/plinth system AX</p> <p>Base/plinth system VX</p> |
| Packs of | 6 pc(s). |

Features

| | |
|-------------------------|---|
| Weight/pack | 2.382 kg |
| Net weight | 2.118 |
| Gross weight | 2.4 |
| PCF/PU (Cradle-to-Gate) | 9.1 kg CO2 eq (Cat B) |
| Note on the PCF class | Category B: PCF value (cradle-to-gate) approximated based on product weight and self-declared |
| Customs tariff number | 73269098 |
| EAN | 4028177114593 |
| ETIM 8 | EC000386 |
| ETIM 7.0 | EC000386 |
| ECLASS 8.0 | 27400602 |