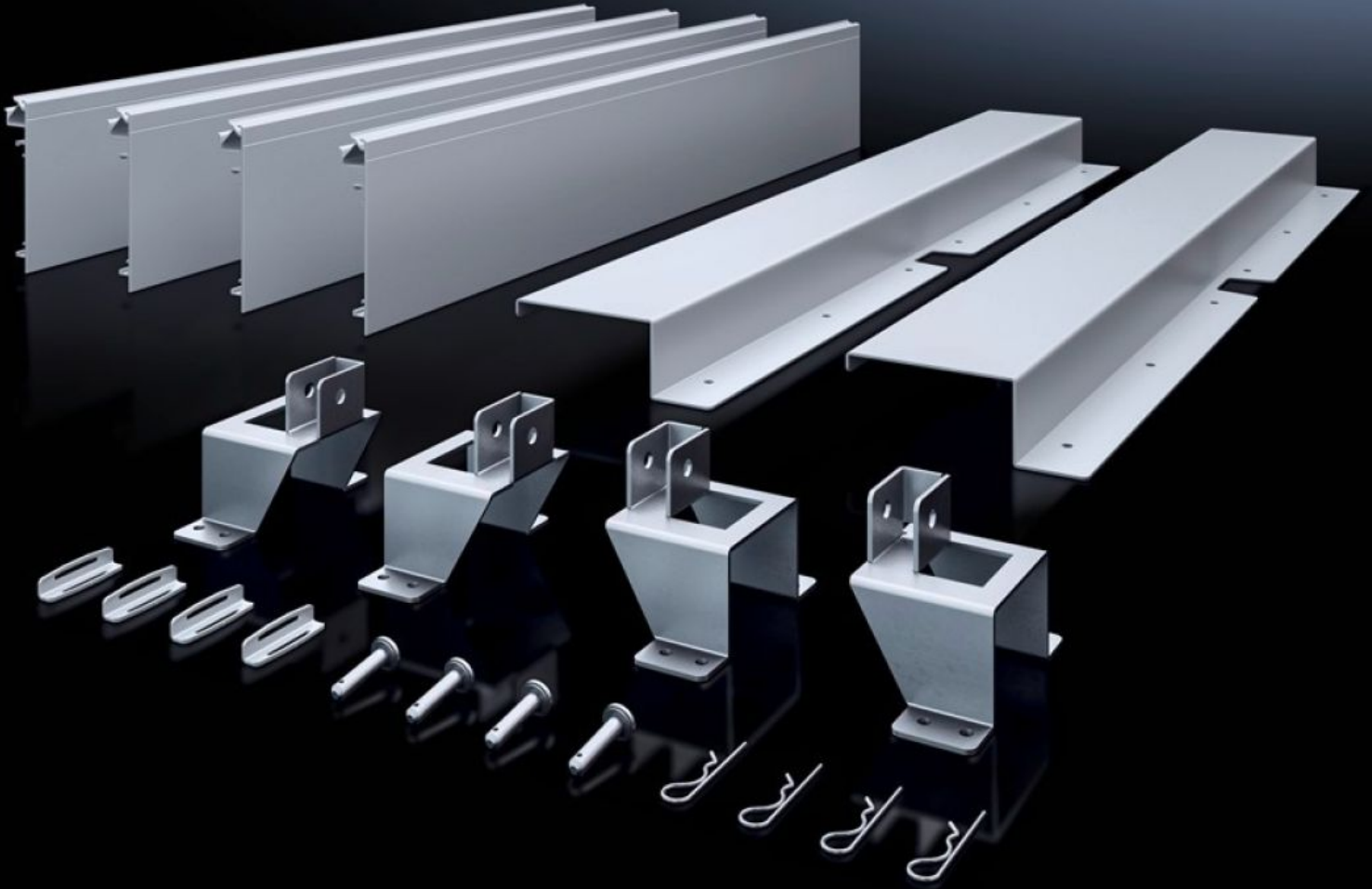


# Rittal – The System.

Faster – better – everywhere.



## SV 9666.912 ISV installation kit

State: 2024.10.19 (Source: [rittal.com/lt-en](https://www.rittal.com/lt-en))

ENCLOSURES

POWER DISTRIBUTION

CLIMATE CONTROL

IT INFRASTRUCTURE

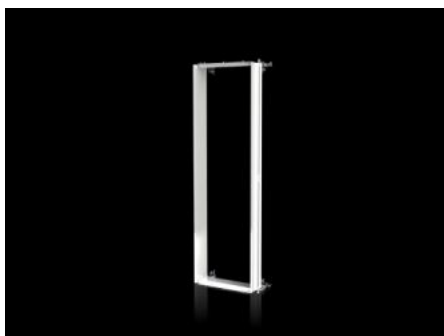
SOFTWARE & SERVICES

FRIEDHELM LOH GROUP



# SV 9666.912 - ISV installation kit for VX

For mounting ISV installation modules in VX enclosures.



## Features

Model No.	SV 9666.912
Product description	For mounting ISV installation modules in the enclosure.
Material	Mounting frame holder: Sheet steel, zinc-plated Contact hazard protection: Sheet steel, spray-finished Contact hazard protection, sides: PVC
Supply includes	Mounting aid support Contact hazard protection Assembly parts
Size	Width units (WU) @ 250 mm: 3 Height units (U) @ 150 mm: 12
To fit Model No.	9666.916 9666.956
Note on Model No.	Mounting angle 9666.712 and mounting plate 8612.400 are additionally required
To fit	Width: 850 mm Height: 2,000 mm Depth: 400 mm 600 mm
Packs of	1 pc(s).
Weight/pack	8.5 kg
Net weight	8

# Features

---

Gross weight	8.5
Customs tariff number	83024900
EAN	4028177923294
ETIM 7.0	EC001900
ECLASS 8.0	27400613

# Approvals

---

Explanations	Declaration of conformity Declaration of conformity UK
--------------	-----------------------------------------------------------