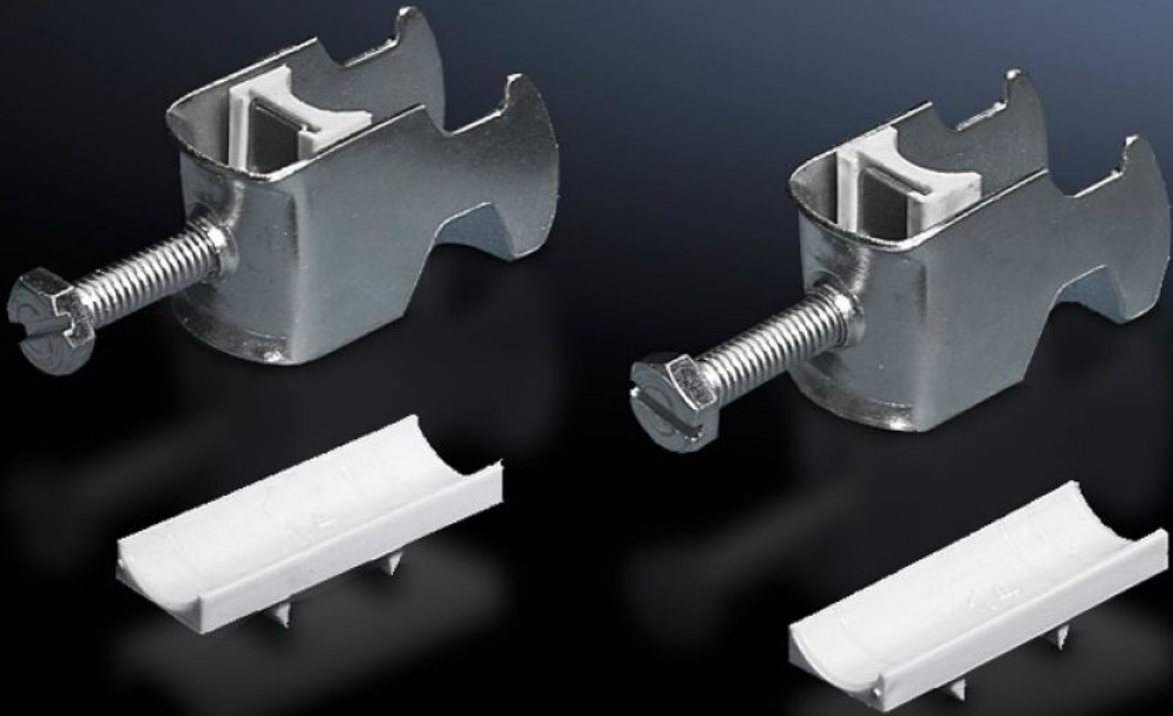


Rittal – The System.

Faster – better – everywhere.



DK 7099.000

Cable clip

State: 27/9/2024 (Source: rittal.com/in-en)

ENCLOSURES

POWER DISTRIBUTION

CLIMATE CONTROL

IT INFRASTRUCTURE

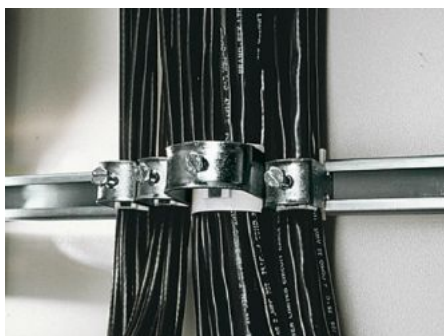
SOFTWARE & SERVICES

FRIEDHELM LOH GROUP



DK 7099.000 - Cable clip for C rail, combination rail

For attaching cables to the C rail.



Features

Model No.	DK 7099.000
Design	for cable diameter 56 – 64 mm
Product description	For attaching cables to the C rail.
Material	Sheet steel
Surface finish	Zinc-plated
Supply includes	Plastic insert
Min. cable diameter	56 mm
Max. cable diameter	64 mm
Packs of	25 pc(s).
Weight/pack	3.45 kg
Net weight	3.125
Gross weight	3.461
PCF/PU (Cradle-to-Gate)	13.1 kg CO2 eq (Cat B)
Note on the PCF class	Category B: PCF value (cradle-to-gate) approximated based on product weight and self-declared
Customs tariff number	73269098
EAN	4028177124561
E-Number Sweden	E1300414

Features

ETIM 8	EC000127
ETIM 7.0	EC000127
ECLASS 8.0	23140202

Tender text

Cable clamps 56 - 64 mm

For attaching cables to C rails. For cable diameter 56 - 64 mm.

Material: sheet steel, zinc-plated, passivated, with plastic insert.