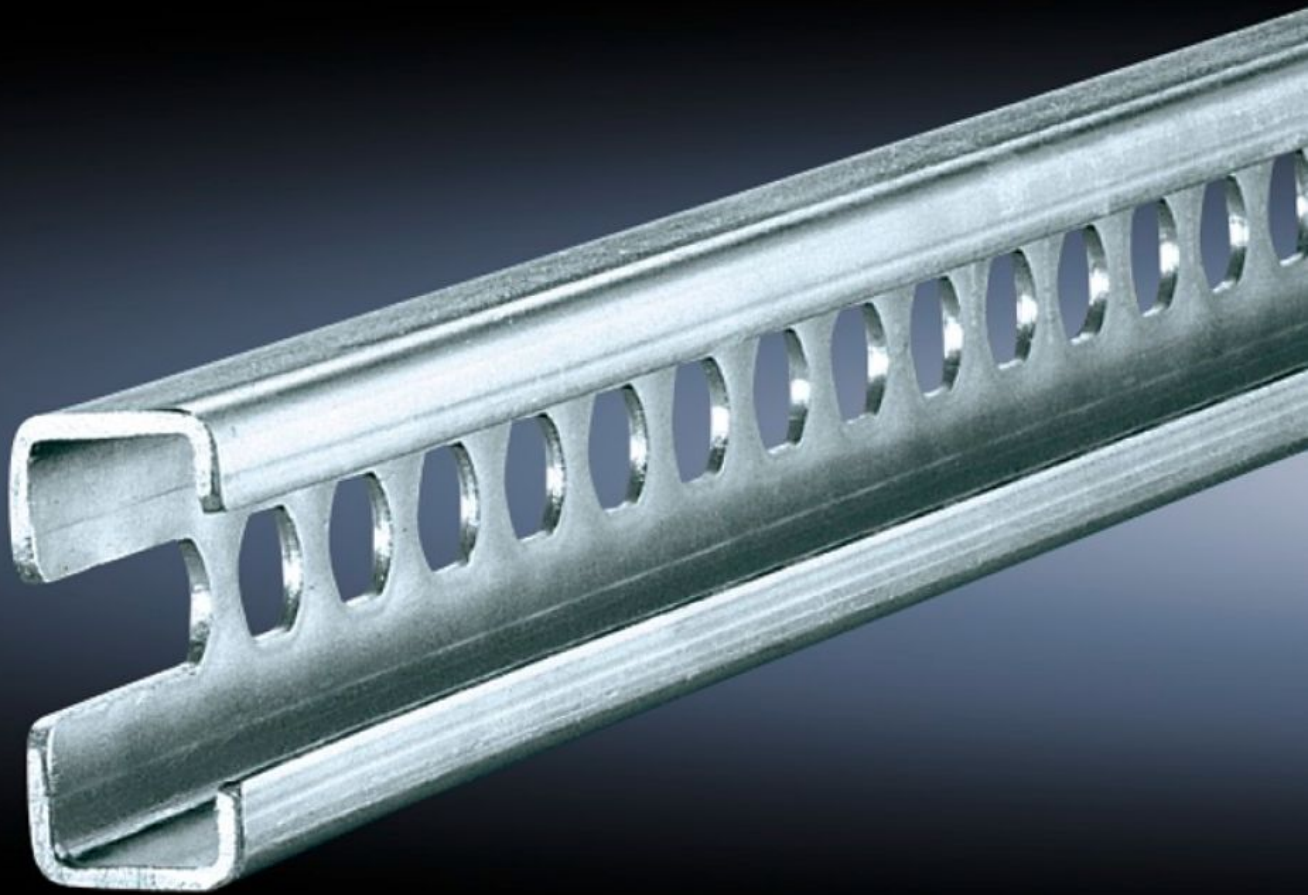


Rittal – The System.

Faster – better – everywhere.



SZ 4945.000

C rails 30/15

State: 19/10/2024 (Source: rittal.com/in-en)

ENCLOSURES

POWER DISTRIBUTION

CLIMATE CONTROL

IT INFRASTRUCTURE

SOFTWARE & SERVICES

FRIEDHELM LOH GROUP



SZ 4945.000 - C rails 30/15 to EN 60 715 for VX, TS, VX SE

For direct installation on the horizontal enclosure section, on the base configuration rail for TP, on the vertical enclosure section via additional assembly components.



Features

Model No.	SZ 4945.000
Material	Sheet steel
Surface finish	Zinc-plated
Length	755 mm
Installation options	<p>On the inner mounting level of the VX enclosure section</p> <p>On the vertical TS, VX SE enclosure section via snap-on nuts TS 8800.808 or adaptor rails for VX compatibility</p> <p>On the horizontal VX SE enclosure section in the width, top and bottom</p> <p>On the horizontal VX SE enclosure section in the depth at the bottom (without mounting plate) and at the top via snap-on nuts 8800.808.</p> <p>On the horizontal TS enclosure section</p>
To fit	<p>Enclosure type: VX</p> <p>TS</p> <p>AX wall-mounted enclosure, 3-part</p> <p>To fit width/depth: 800 mm</p>
To fit	<p>Base/plinth system AX</p> <p>Base/plinth system VX</p>
Packs of	6 pc(s).

Features

Weight/pack	3.3 kg
Net weight	3
Gross weight	3.21
PCF/PU (Cradle-to-Gate)	12.6 kg CO2 eq (Cat B)
Note on the PCF class	Category B: PCF value (cradle-to-gate) approximated based on product weight and self-declared
Customs tariff number	73269098
EAN	4028177114616
ETIM 8	EC000386
ETIM 7.0	EC000386
ECLASS 8.0	27400602