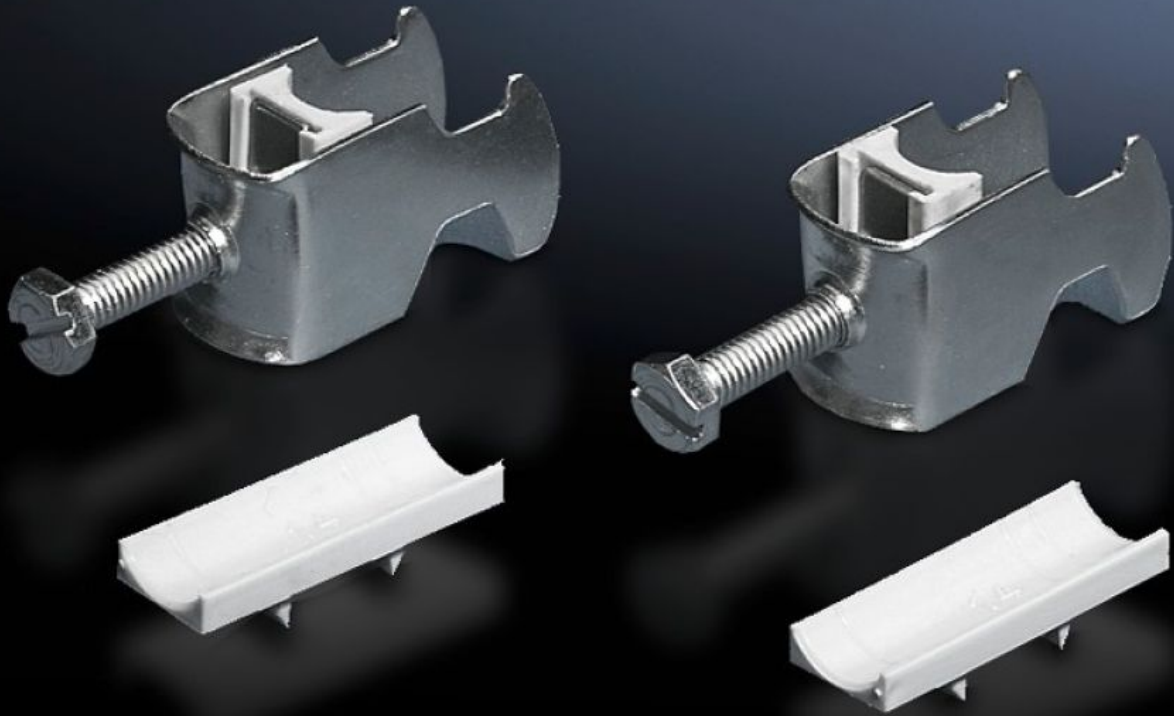


Rittal – The System.

Faster – better – everywhere.



DK 7098.100 Cable clip

State: 27.09.2024. (Source: [rittal.com/hr-hr](https://www.rittal.com/hr-hr))

ENCLOSURES

POWER DISTRIBUTION

CLIMATE CONTROL

IT INFRASTRUCTURE

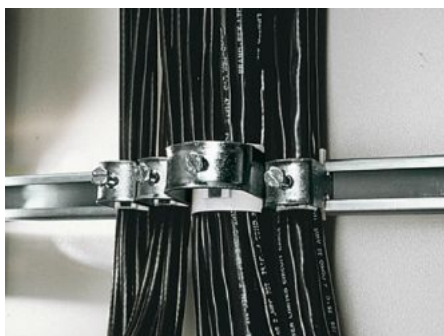
SOFTWARE & SERVICES

FRIEDHELM LOH GROUP



DK 7098.100 - Cable clip for C rail, combination rail

For attaching cables to the C rail.



Features

| | |
|-------------------------|---|
| Model No. | DK 7098.100 |
| Design | for cable diameter 42 – 56 mm |
| Product description | For attaching cables to the C rail. |
| Material | Sheet steel |
| Surface finish | Zinc-plated |
| Supply includes | Plastic insert |
| Min. cable diameter | 42 mm |
| Max. cable diameter | 56 mm |
| Packs of | 25 pc(s). |
| Weight/pack | 3,1 kg |
| Net weight | 3 |
| Gross weight | 3.112 |
| PCF/PU (Cradle-to-Gate) | 11.8 kg CO2 eq (Cat B) |
| Note on the PCF class | Category B: PCF value (cradle-to-gate) approximated based on product weight and self-declared |
| Customs tariff number | 73269098 |
| EAN | 4028177432673 |
| E-Number Sweden | E1300413 |

Features

| | |
|------------|----------|
| ETIM 8 | EC000127 |
| ETIM 7.0 | EC000127 |
| ECLASS 8.0 | 23140202 |

Tender text

Cable clamps 42 - 56 mm

For attaching the cables to the C rails.

For cable diameter: 42 - 56 mm.

Material: Sheet steel, zinc-plated, passivated
with plastic insert