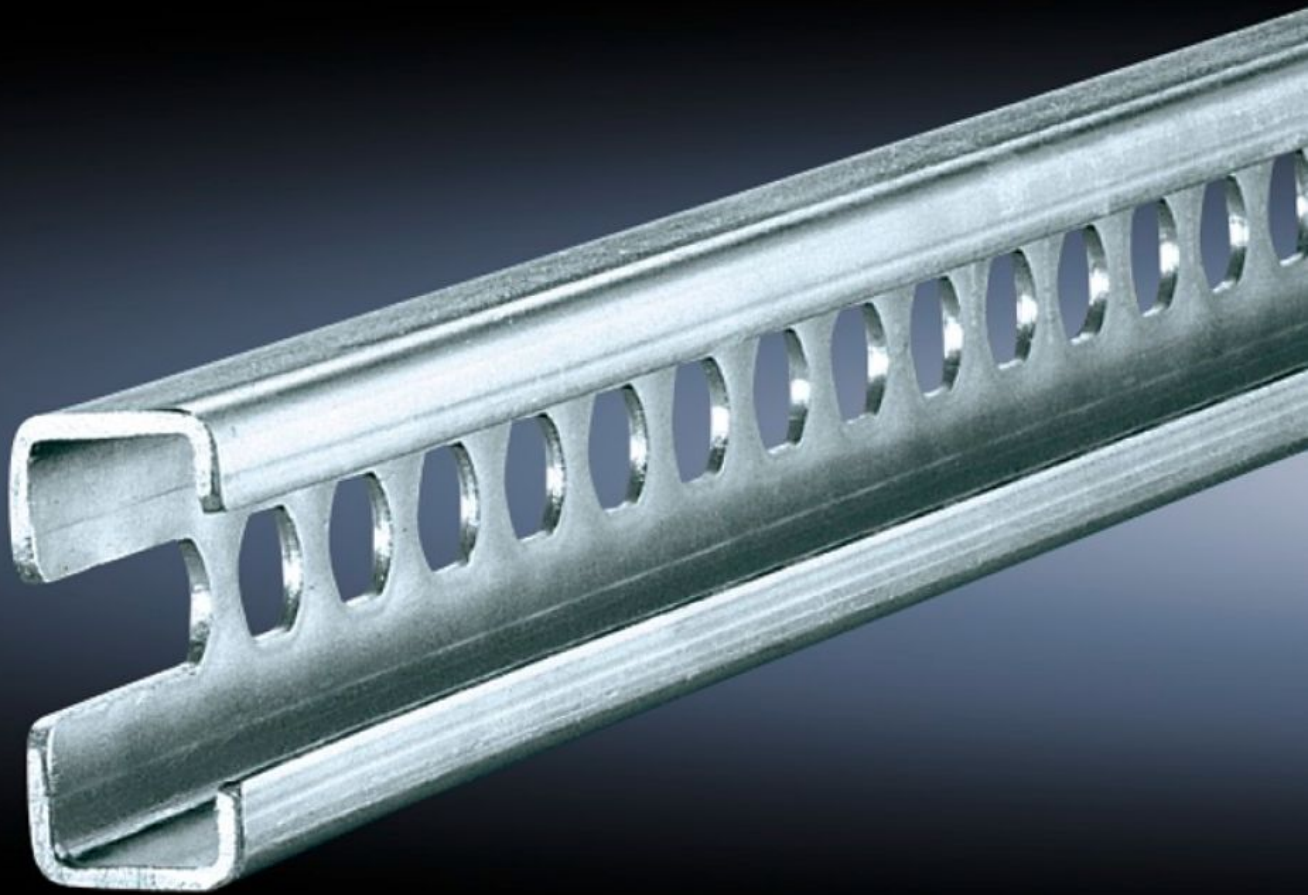


# Rittal – The System.

Faster – better – everywhere.



## SZ 4944.000

## C rails 30/15

State: 27.09.2024. (Source: [rittal.com/hr-hr](http://rittal.com/hr-hr))

ENCLOSURES

POWER DISTRIBUTION

CLIMATE CONTROL

IT INFRASTRUCTURE

SOFTWARE & SERVICES

FRIEDHELM LOH GROUP



# SZ 4944.000 - C rails 30/15 to EN 60 715 for VX, TS, VX SE

For direct installation on the horizontal enclosure section, on the base configuration rail for TP, on the vertical enclosure section via additional assembly components.



## Features

Model No.	SZ 4944.000
Material	Sheet steel
Surface finish	Zinc-plated
Length	555 mm
Installation options	<p>On the inner mounting level of the VX enclosure section</p> <p>On the vertical TS, VX SE enclosure section via snap-on nuts TS 8800.808 or adaptor rails for VX compatibility</p> <p>On the horizontal VX SE enclosure section in the width, top and bottom</p> <p>On the horizontal VX SE enclosure section in the depth at the bottom (without mounting plate) and at the top via snap-on nuts 8800.808.</p> <p>On the horizontal TS enclosure section</p>
To fit	<p>Enclosure type: VX</p> <p>TS</p> <p>AX wall-mounted enclosure, 3-part</p> <p>To fit width/depth: 600 mm</p>
To fit	<p>Base/plinth system AX</p> <p>Base/plinth system VX</p>
Packs of	6 pc(s).

# Features

Weight/pack	2,382 kg
Net weight	2.118
Gross weight	2.4
PCF/PU (Cradle-to-Gate)	9.1 kg CO2 eq (Cat B)
Note on the PCF class	Category B: PCF value (cradle-to-gate) approximated based on product weight and self-declared
Customs tariff number	73269098
EAN	4028177114593
ETIM 8	EC000386
ETIM 7.0	EC000386
ECLASS 8.0	27400602