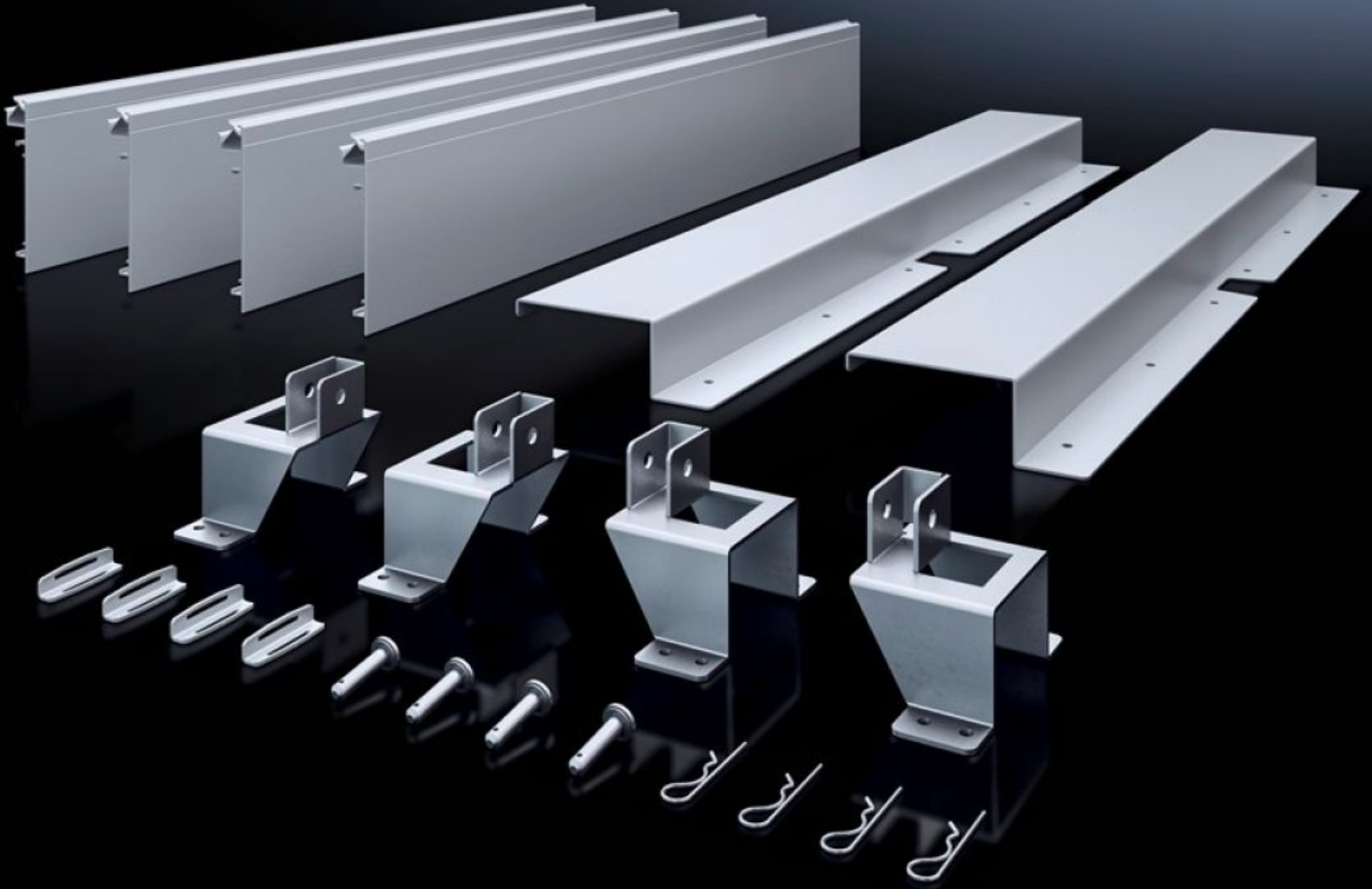


Rittal – The System.

Faster – better – everywhere.



SV 9666.912 ISV installation kit

State: 19/10/2024 (Source: rittal.com/com-en)

ENCLOSURES

POWER DISTRIBUTION

CLIMATE CONTROL

IT INFRASTRUCTURE

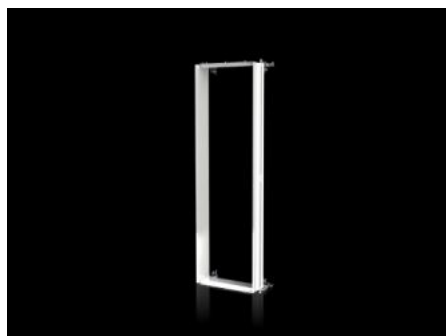
SOFTWARE & SERVICES

FRIEDHELM LOH GROUP



SV 9666.912 - ISV installation kit for VX

For mounting ISV installation modules in VX enclosures.



Features

Model No.	SV 9666.912
Product description	For mounting ISV installation modules in the enclosure.
Material	Mounting frame holder: Sheet steel, zinc-plated Contact hazard protection: Sheet steel, spray-finished Contact hazard protection, sides: PVC
Supply includes	Mounting aid support Contact hazard protection Assembly parts
Size	Width units (WU) @ 250 mm: 3 Height units (U) @ 150 mm: 12
To fit Model No.	9666.916 9666.956
Note on Model No.	Mounting angle 9666.712 and mounting plate 8612.400 are additionally required
To fit	Width: 850 mm Height: 2,000 mm Depth: 400 mm 600 mm
Packs of	1 pc(s).
Weight/pack	8.5 kg
Net weight	8

Features

Gross weight	8.5
Customs tariff number	83024900
EAN	4028177923294
ETIM 7.0	EC001900
ECLASS 8.0	27400613

Approvals

Explanations	Declaration of conformity Declaration of conformity UK
--------------	---