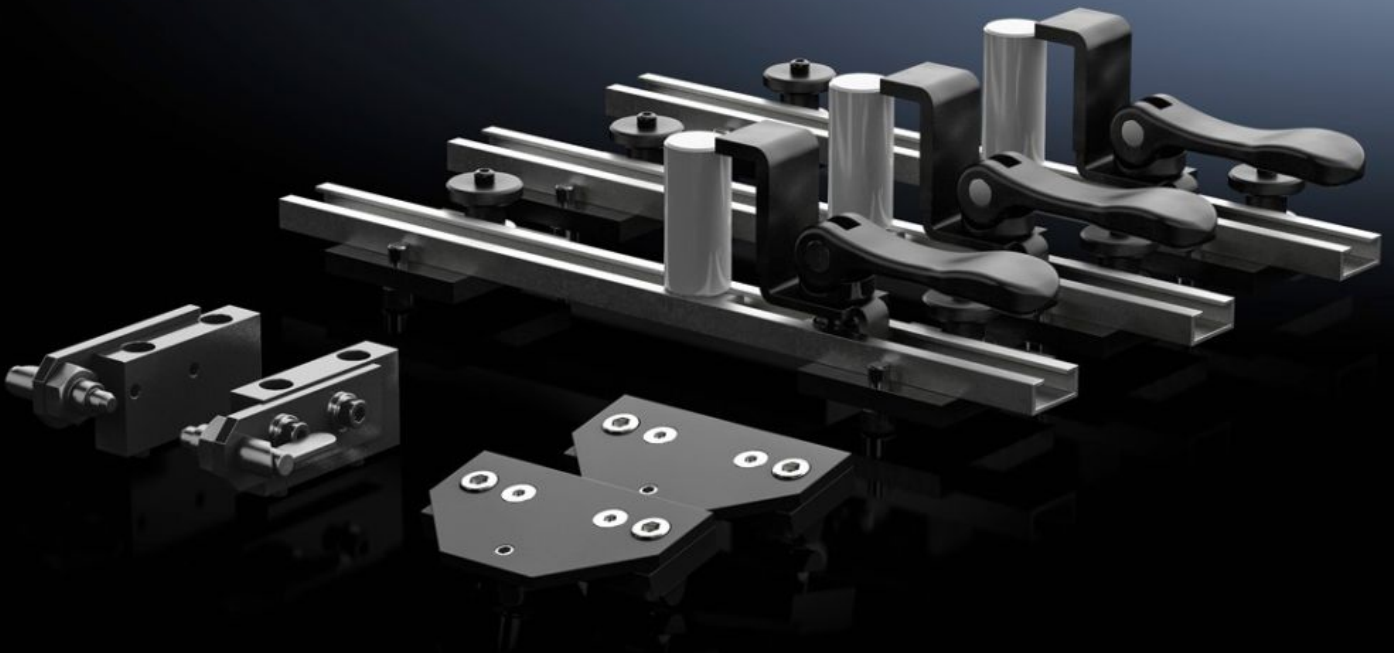


**Rittal – The System.**

Faster – better – everywhere.



# AS 4050.035

## Clamping height extension

State: 07/10/2024 (Source: [rittal.com/com-en](http://rittal.com/com-en))

ENCLOSURES

POWER DISTRIBUTION

CLIMATE CONTROL

IT INFRASTRUCTURE

SOFTWARE & SERVICES



FRIEDHELM LOH GROUP

# AS 4050.035 - Clamping height extension for Perforex MT 2201 S

Upgrade kit to extend the clamping height for Perforex Milling Terminals MT S.

## Features

Model No.	AS 4050.035
Product description	Upgrade kit to extend the clamping height for Perforex milling terminals MT.
Supply includes	3 clamping elements Assembly parts
Note	May be retrofitted
To fit Model No.	4055.926 4055.927
Dimensions	Height: 1,700 mm
Packs of	1 pc(s).
Net weight	5
Gross weight	5
Customs tariff number	84669360
EAN	4028177801561
ETIM 8	EC003456
ETIM 7.0	EC003456
ECLASS 8.0	36609190