

RITTAL GMBH & CO. KG

Auf dem stützelberg  
D-35745 Herborn

<http://www.rittal.de>



Modell/model :SK3360.10X  
:RITA10234.01  
Zeichnungsnummer/drawing number:EFB4058 -

Einspeisung/power supply :400V 3 50-60Hz  
Kältemittel / refrigerant :R134a

Kunde/customer :  
Reference :

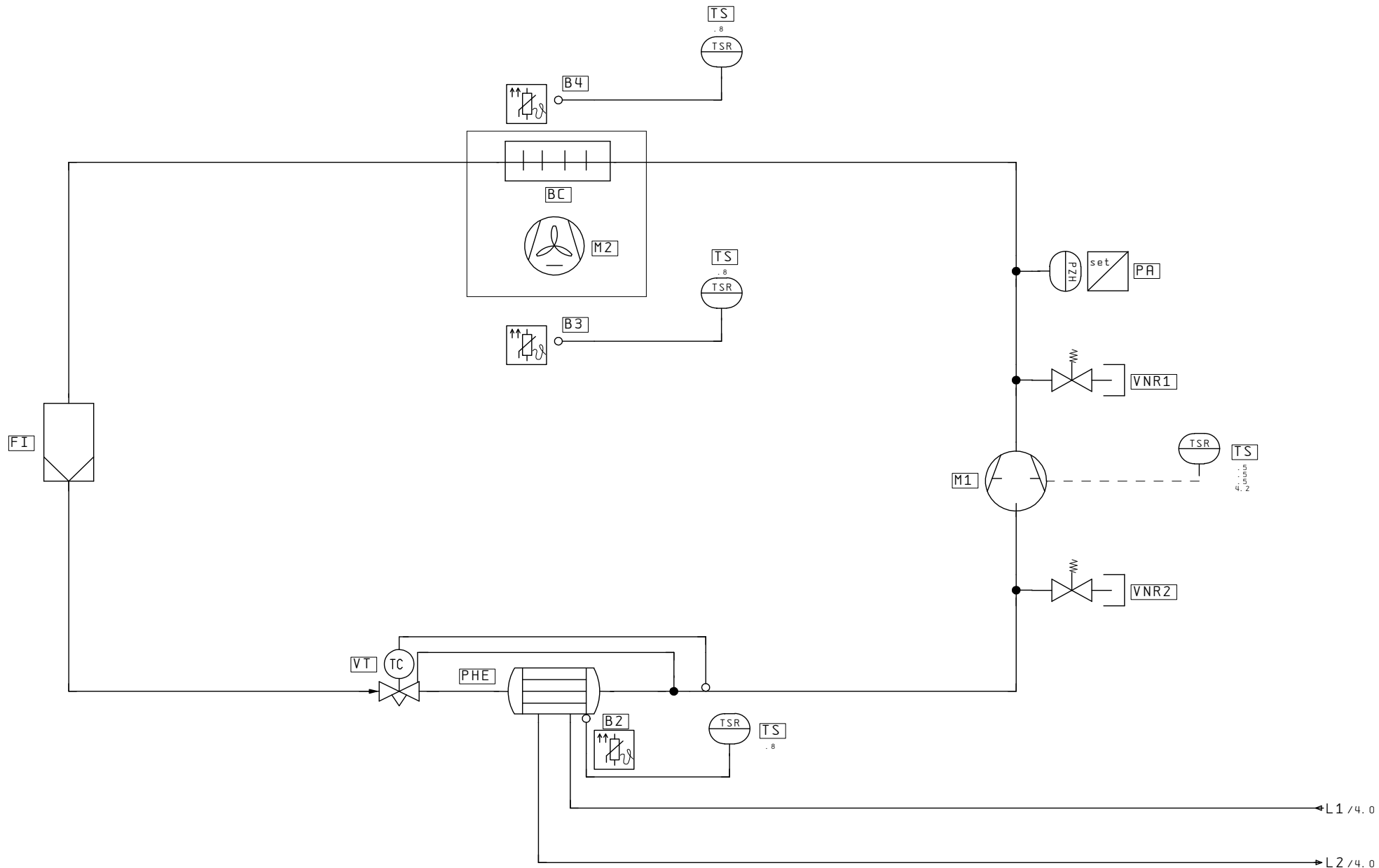
Erstellt am/created the :06. Mar. 2014 by FF2 Anzahl blätter/highest page nbr.: 5  
Geändert/changed on the : by Blatt/number of page : 1

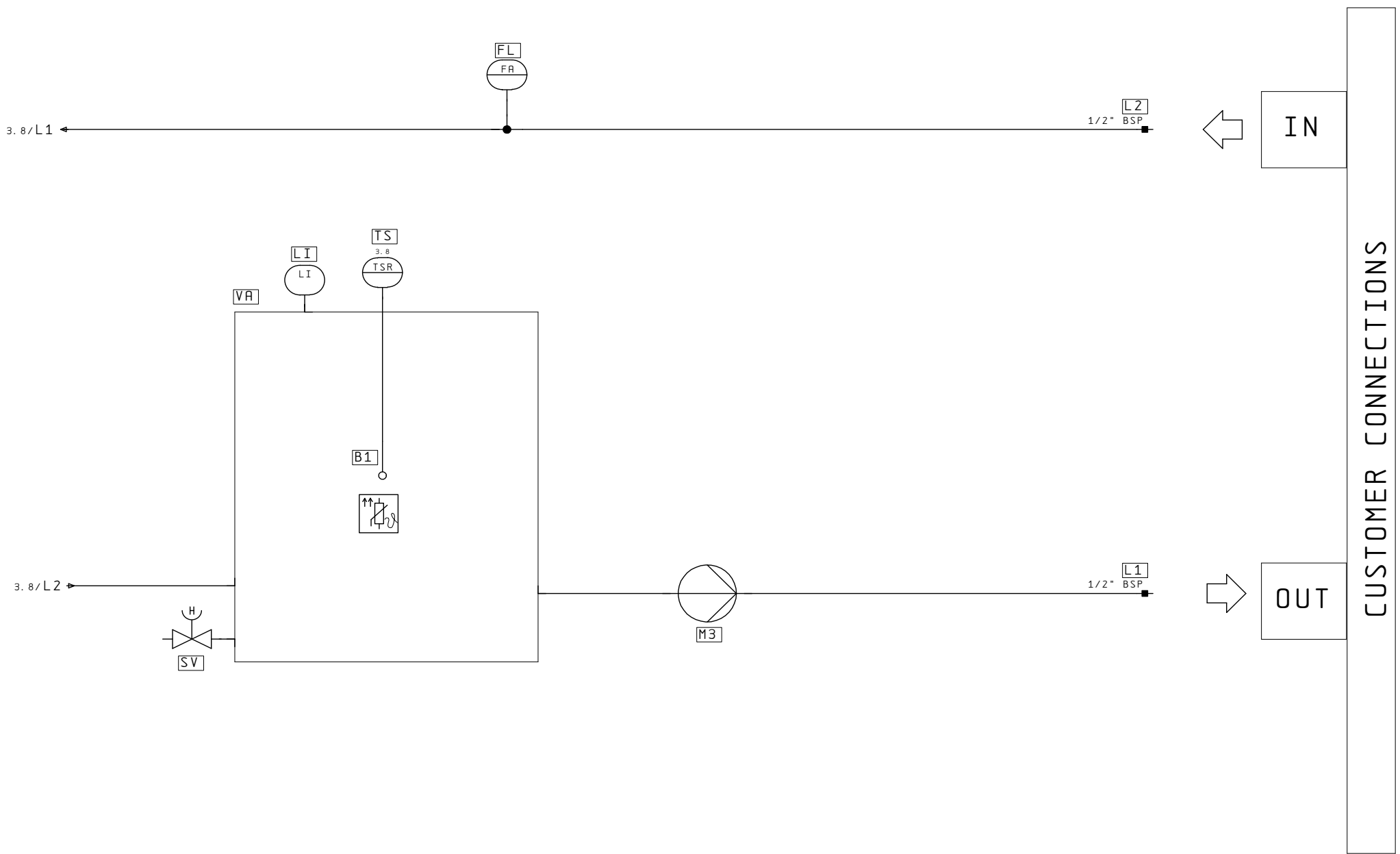
# Inhaltsverzeichnis / Page overview

PAGRIT1 23.01.2006

Seite	Beschreibung	Date revision	Geändert
1	COVER	06. Mar. 2014	FF2
2	INHALTSVERZEICHNIS / PAGE OVERVIEW	07. Mar. 2014	FF2
3	REFRIGERATION CIRCUIT	06. Mar. 2014	FF2
4	HYDRAULIC CIRCUIT	06. Mar. 2014	FF2
5	BILL OF MATERIAL	07. Mar. 2014	FF2







Bill of materials

RICKE1 11.07.2003

Item designation	Amount	Um	Article number	Designation	Manufacturer	Internal number	P/P
FI	1	ST	023Z4821	FILTER DEIOR DANFOSS DML032S	DANFOSS	219016	3. 0
VT	1	ST	TDN 1-0.9	VALVEXP THERMOST DANFOSS TDN1-0.9	DANFOSS	219017	3. 2
PHE	1	ST	B8TH*10/1P-SC-M	HEAT PLATE BRAZED EXCHANGER	SWEP INTERNATIONAL AB	902517	3. 3
BC	1	ST	K02499	HEX F-TUB CN 25125CO 14 2 20 300 1 A10S	LUVATA GAITAL GMBH	313999	3. 3
M2	1		TRK5450Y	COMPRESS ROTATIVE UNHERM TRK5450Y 6475020500	UNHERM	314114	3. 4
M1	1	ST	TRK5450Y	COMPRESS ROTATIVE UNHERM TRK5450Y 6475020500	L'UNITE HERMETIQUE	314114	3. 6
VNR1	1	ST	WGM 1BA 6,2	SCHRADER VALVE BODY 1BA 6,2	VERCO VERONA SRL	903534	3. 7
VNR1	1	ST	WGM GMM 1/4 SAE	SCHRADER VALVE PIN	WURTH SRL	903535	3. 7
VNR1	1	ST	CS3110696	SCHR CAP 1/4"	FRIGO SYSTEM SPA	907676	3. 7
VNR2	1	ST	WGM 1BA 6,2	SCHRADER VALVE BODY 1BA 6,2	VERCO VERONA SRL	903534	3. 7
VNR2	1	ST	WGM GMM 1/4 SAE	SCHRADER VALVE PIN	WURTH SRL	903535	3. 7
VNR2	1	ST	CS3110696	SCHR CAP 1/4"	FRIGO SYSTEM SPA	907676	3. 7
PA	1	ST	061F8189	PRESSHP PSAH FIX 25	DANFOSS	922317	3. 7
TS	1	ST	RITM400000	TEMP-CONTR CAREL RITM400000	CAREL	911535	3. 8
TS	1	ST	RITCUSRON1	TEMP-CONTR DISPLAY CAREL RITCUSRON1	CAREL	315939	3. 8
TS	1	ST	RITCCON151	TEMP-CONTR ACCESS MGE RITCCON151	CAREL	258218	3. 8
SV	1	ST	500125	BALL VALVE 2OUTLETS MINI FxF 1/2"	ITV GMBH	307010	4. 1
VA	1	ST	DISA13089CA	CAR TANK 131x215x316 PP	ZF SAS DI FROLA	307000	4. 1
LI	1	ST	HXC.254-INOX	SIGHT LEVEL ELESA HXC.254-STAINST	ELESA SPA	902342	4. 2
FL	1	ST	VK315MORITTA14	FLOWSWITCH SIKA VK315MORITTA14 1/2"	SIKA SYSTEMECHNIK	910960	4. 3
M3	1	ST	T-401/200 M3685	PUMP SPECK T-401/200 M3685	SPECK PUMPENFABRIK GMBH & CO	910961	4. 4
L2	1	ST	430015	FAST FEMALE CONNECTOR 1/2"x F DN7.2	RECTUS	304909	4. 7
L1	1	ST	430015	FAST FEMALE CONNECTOR 1/2"x F DN7.2	RECTUS	304909	4. 7

4

5

5