

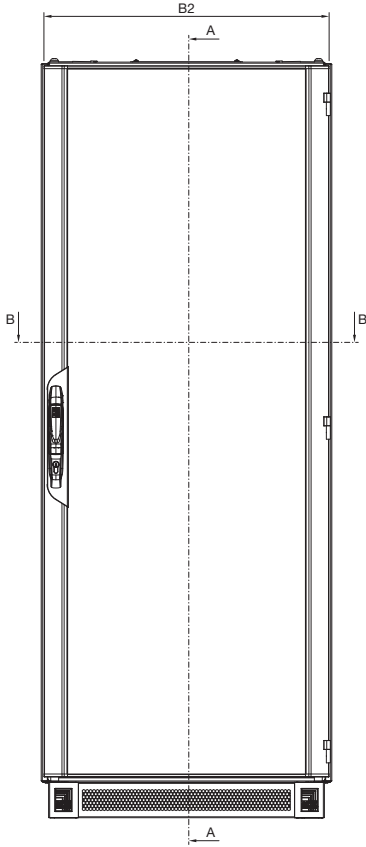
IT infrastructure

IT rack systems

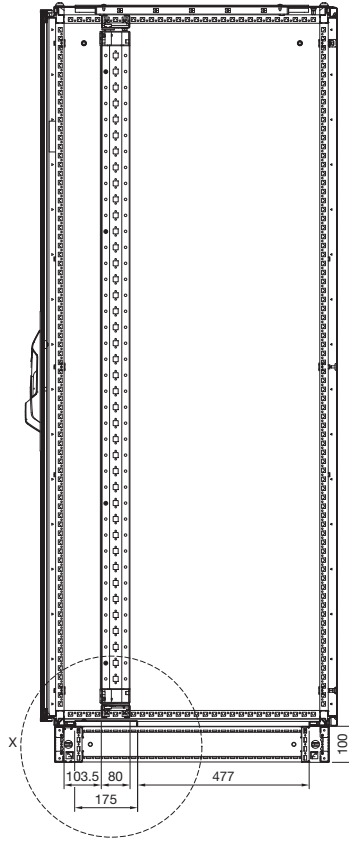
Network/server racks VX IT

with glazed door, with 482.6 mm (19") swing frame, W 800 x D 800 mm

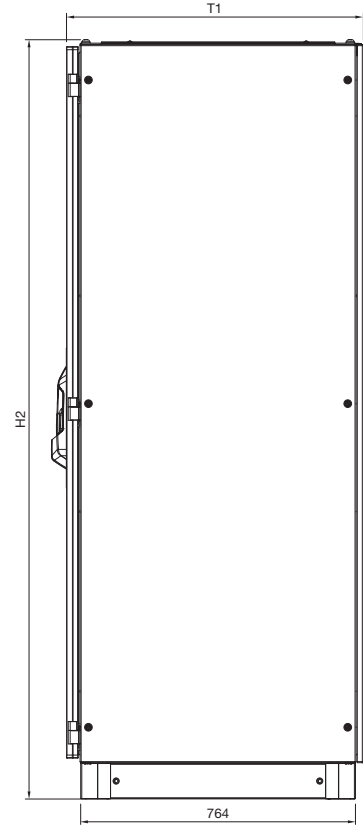
Front view



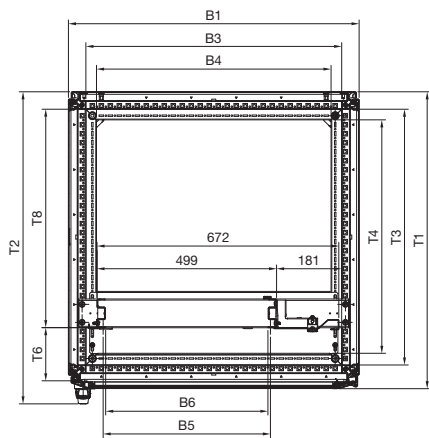
Section A – A



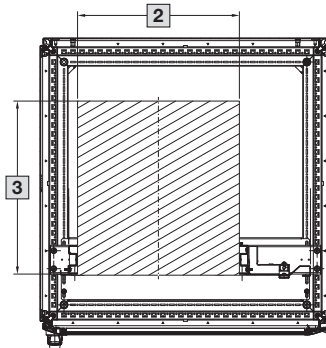
Side view



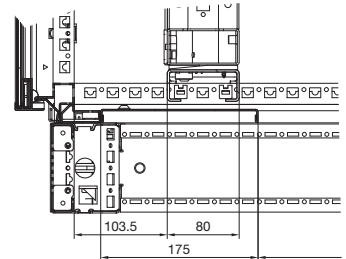
Section B – B



Max. installation width/depth



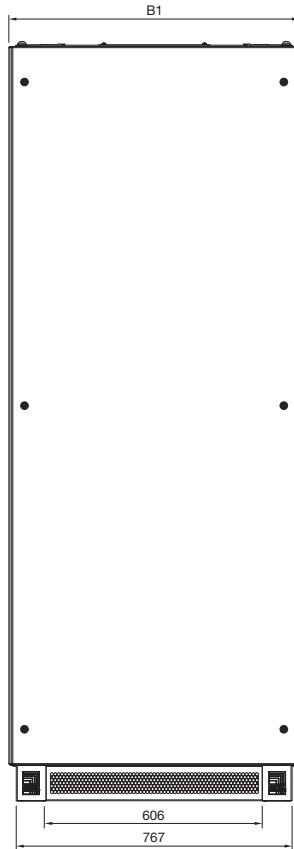
Detail X



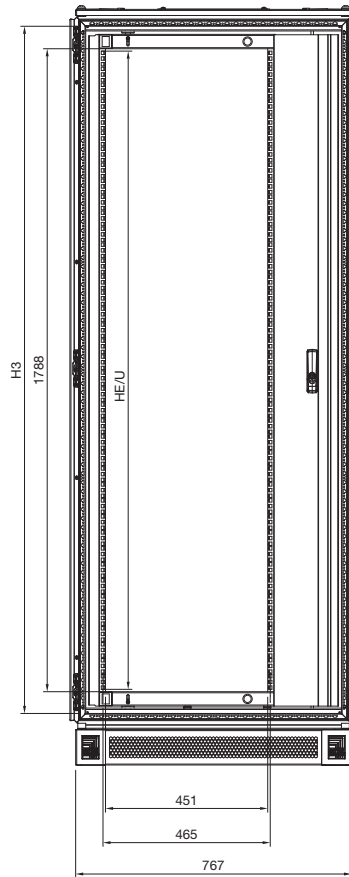
Network/server racks VX IT

with glazed door, with 482.6 mm (19") swing frame, W 800 x D 800 mm

Rear view



Front view without doors



- B1 = Overall width with side panels
- B2 = Width of front door
- B3 = Clearance of enclosure frame
- B4 = Clearance base opening
- B5 = Mounting dimension 19"
- B6 = Clearance within the 482.6 mm (19") mounting level
- B8 = Footprint of levelling feet (attached to the base/plinth)

- H2 = Overall height including base/plinth
- H3 = Clearance of enclosure frame

- T1 = Overall depth without handles
- T2 = Overall depth with handles
- T3 = Clearance of enclosure frame
- T4 = Clearance base opening
- T6 = Clearance in front of 482.6 mm (19") mounting level
- T8 = Distance between frame and 482.6 mm (19") mounting level, rear
- T10 = Footprint of levelling feet (attached to the base/plinth)
- T11 = Depth of brush strip

1 Cut-out for fan mounting plate 5502.010

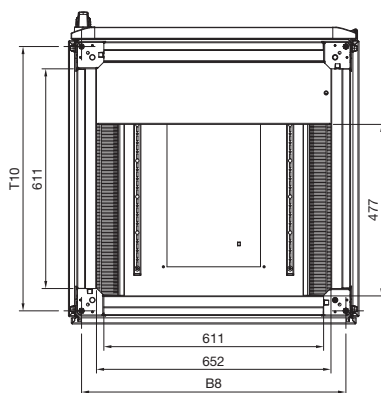
2 Max. installation width 449 mm

3 Max. installation depth 480 mm

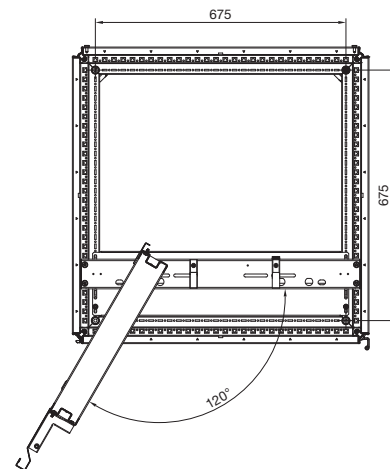
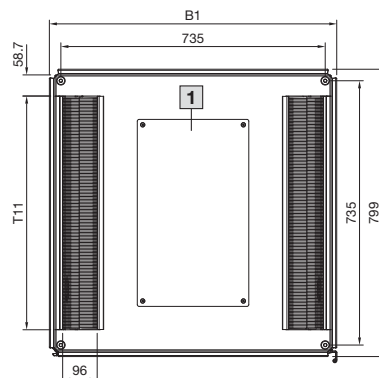
Note:

- With fitted side panels, the overall width B1 is increased by 9 mm
- Depending on the baying connector, the distance between bayed enclosures is either 1 or 3 mm

Bottom view



Top view



Model no. DK	U	Width dimensions mm							Height dimensions mm		Depth dimensions mm							
		B1	B2	B3	B4	B5	B6	B8	H2	H3	T1	T2	T3	T4	T6	T8	T10	T11
5307.157	40	799	793	711	652	465	451	735	2017.5	1911	825	868	711	649	148	max. 607	735	650