

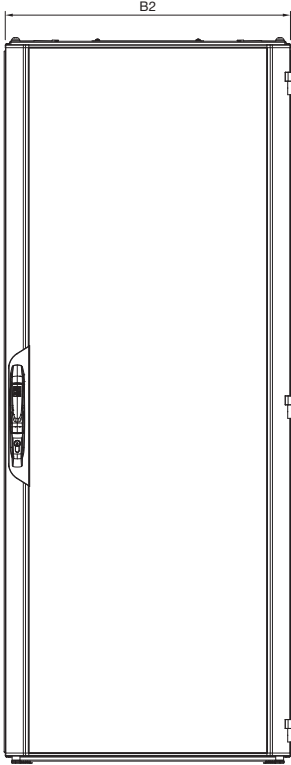
# IT infrastructure

## IT rack systems

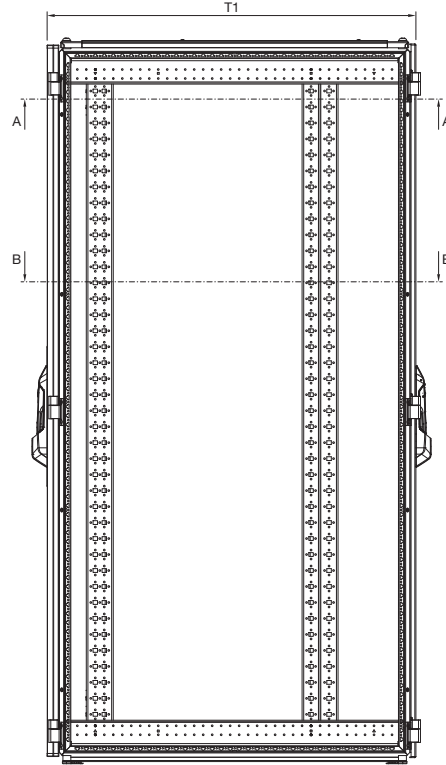
### Network/server racks VX IT

with glazed door, with 482.6 mm (19") mounting angles, dynamic, W 800 x D 1000 mm

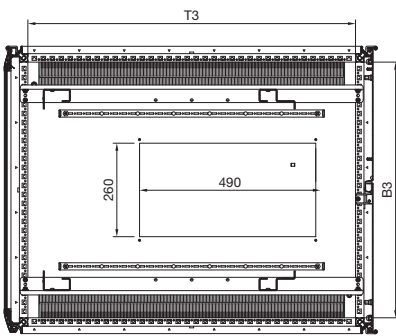
Front view



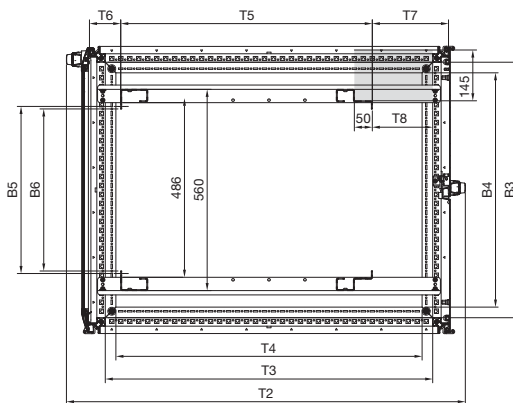
Side view



Section A – A



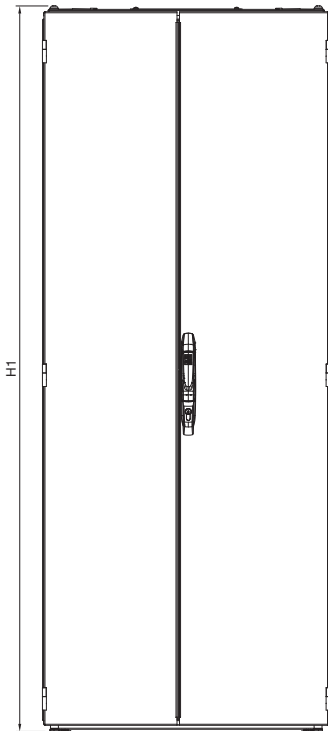
Section B – B



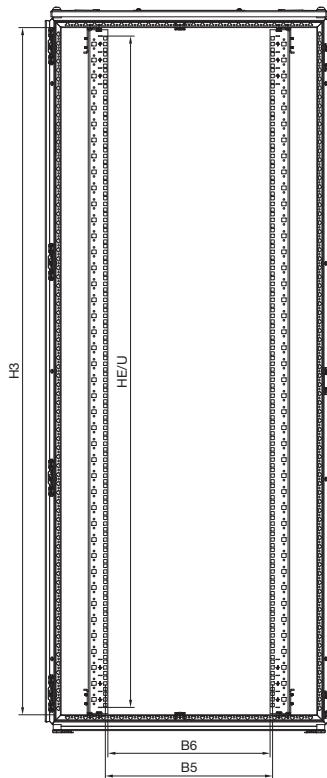
### Network/server racks VX IT

with glazed door, with 482.6 mm (19") mounting angles, dynamic, W 800 x D 1000 mm

Rear view



Front view without doors



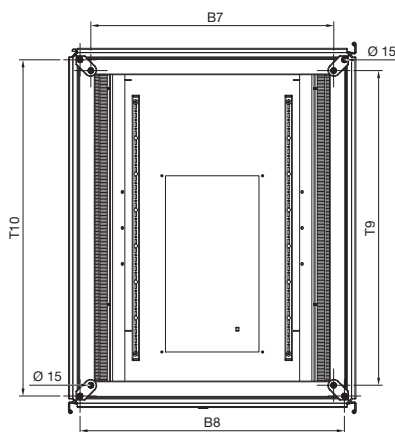
- B1 = Overall width without side panels
- B2 = Width of front door
- B3 = Clearance of enclosure frame
- B4 = Clearance base opening (footprint of frame excluding levelling feet, inner edge)
- B5 = Mounting dimension 19"
- B6 = Clearance within the 482.6 mm (19") mounting level
- B7 = Footprint of levelling feet (attached to the base frame)
- B8 = Footprint of levelling feet (attached to the frame corner pieces)
- B9 = Footprint of frame excluding levelling feet, outer edge
- H1 = Overall height
- H3 = Clearance of enclosure frame
- T1 = Overall depth without handles
- T2 = Overall depth with handles
- T3 = Clearance of enclosure frame
- T4 = Clearance base opening
- T5 = Distance between 482.6 mm (19") mounting levels
- T6 = Clearance in front of 482.6 mm (19") mounting level
- T7 = Clearance behind 482.6 mm (19") mounting level
- T8 = Distance between frame and 482.6 mm (19") mounting level, rear
- T9 = Footprint of levelling feet (attached to the base frame)
- T10 = Footprint of levelling feet (attached to the frame corner pieces)
- T11 = Depth of brush strip

1 Cut-out for fan mounting plate 5502.010

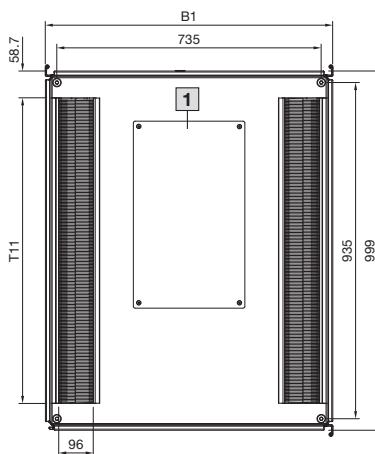
**Note:**

- With fitted side panels, the overall width B1 is increased by 9 mm
- Depending on the baying connector, the distance between bayed enclosures is either 1 or 3 mm
- Clearance for PDU:  
Depth = T8 + 50 mm/width = 145 mm

Bottom view



Top view



| Model no. DK | U  | Width dimensions mm |     |     |     |     |     |     |     |     | Height dimensions mm |      | Depth dimensions mm |      |     |     |                  |                  |                  |     |     |     |     |
|--------------|----|---------------------|-----|-----|-----|-----|-----|-----|-----|-----|----------------------|------|---------------------|------|-----|-----|------------------|------------------|------------------|-----|-----|-----|-----|
|              |    | B1                  | B2  | B3  | B4  | B5  | B6  | B7  | B8  | B9  | H1                   | H3   | T1                  | T2   | T3  | T4  | T5 <sup>1)</sup> | T6 <sup>1)</sup> | T7 <sup>2)</sup> | T8  | T9  | T10 | T11 |
| 5309.826     | 42 | 799                 | 793 | 711 | 652 | 465 | 451 | 675 | 735 | 751 | 2017.5               | 1911 | 1025                | 1110 | 911 | 852 | 700              | 87               | 212              | 168 | 875 | 935 | 850 |
| 5335.826     | 52 | 799                 | 793 | 711 | 652 | 465 | 451 | 675 | 735 | 751 | 2467.5               | 2361 | 1025                | 1110 | 911 | 852 | 700              | 87               | 212              | 168 | 875 | 935 | 850 |

<sup>1)</sup> Min. distance 49.5 mm <sup>2)</sup> Min. distance 49.5 mm <sup>3)</sup> Max. distance 900 mm