

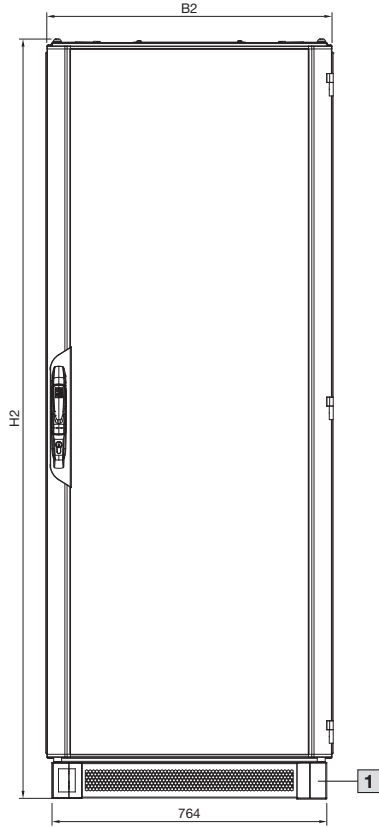
# IT infrastructure

## IT rack systems

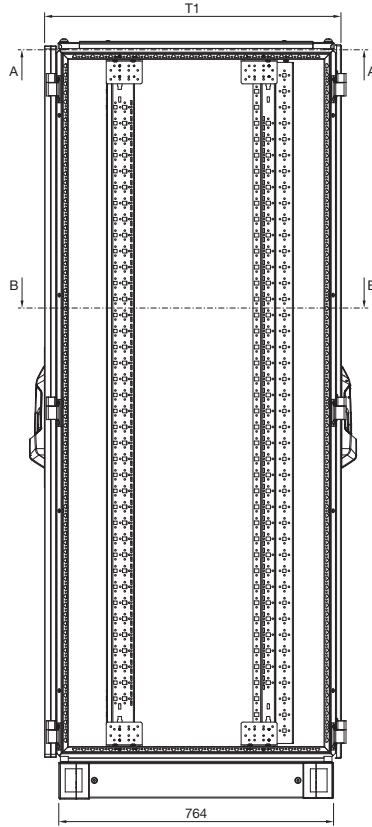
### Network/server racks VX IT

with glazed door, with 482.6 mm (19") mounting angles, standard, W 800 x D 800 mm

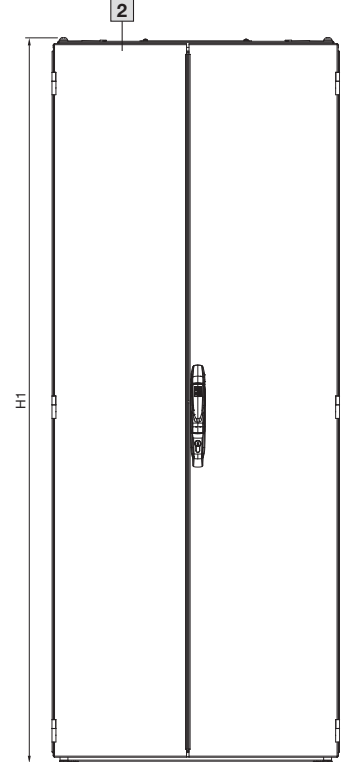
Front view



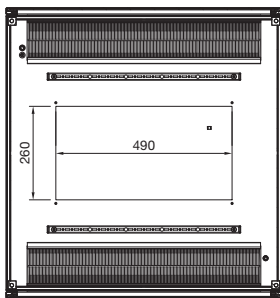
Side view



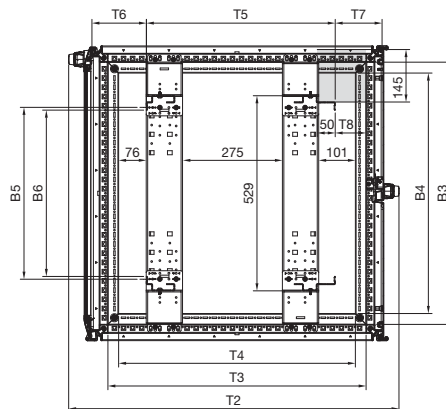
Rear view



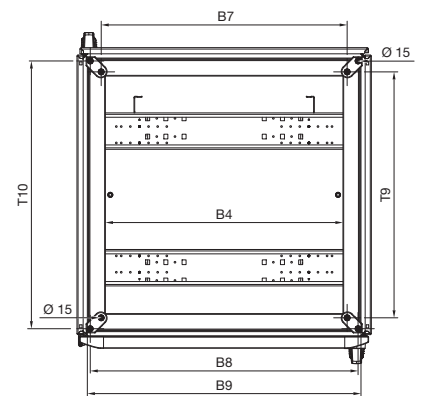
Section A – A



Section B – B



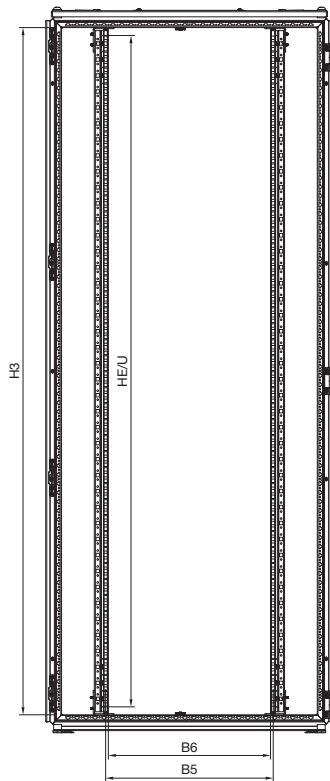
Bottom view



### Network/server racks VX IT

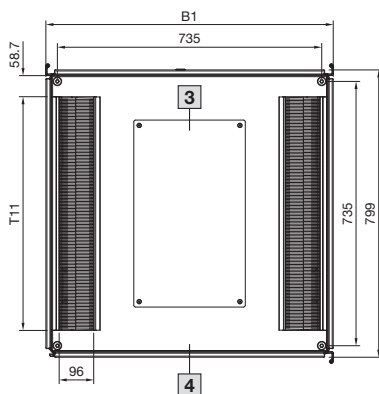
with glazed door, with 482.6 mm (19") mounting angles, standard, W 800 x D 800 mm

Front view without doors



- B1 = Overall width without side panels
- B2 = Width of front door
- B3 = Clearance of enclosure frame
- B4 = Clearance base opening  
(footprint of frame excluding levelling feet, inner edge)
- B5 = Mounting dimension 19"
- B6 = Clearance within the 482.6 mm (19") mounting level
- B7 = Footprint of levelling feet  
(attached to the base frame)
- B8 = Footprint of levelling feet  
(attached to the frame corner pieces)
- B9 = Footprint of frame excluding levelling feet, outer edge
  
- H1 = Overall height without base/plinth
- H2 = Overall height including base/plinth
- H3 = Clearance of enclosure frame
  
- T1 = Overall depth without handles
- T2 = Overall depth with handles
- T3 = Clearance of enclosure frame
- T4 = Clearance base opening
- T5 = Distance between 482.6 mm (19") mounting levels
- T6 = Clearance in front of 482.6 mm (19") mounting level
- T7 = Clearance behind 482.6 mm (19") mounting level
- T8 = Distance between frame and 482.6 mm (19") mounting level, rear
- T9 = Footprint of levelling feet  
(attached to the base frame)
- T10 = Footprint of levelling feet  
(attached to the frame corner pieces)
- T11 = Depth of brush strip

Top view



- 1 5303.154, 5307.154 with base/plinth system VX, 100 mm high, vented
- 1 5303.124, 5303.134, 5303.154, 5307.134 rear door, one-piece
- 3 Cut-out for fan mounting plate 5502.010, not applicable to 5303.134, 5307.134
- 4 5303.134, 5307.134 roof plate, one-piece, solid

**Note:**

- With fitted side panels, the overall width B1 is increased by 9 mm
- Depending on the baying connector, the distance between bayed enclosures is either 1 or 3 mm
- Clearance for PDU:  
Depth = T8 + 50 mm/width = 145 mm

Model no. DK	U	Width dimensions mm									Height dimensions mm			Depth dimensions mm										
		B1	B2	B3	B4	B5	B6	B7	B8	B9	H1	H2	H3	T1	T2	T3	T4	T5 <sup>3)</sup>	T6 <sup>1)</sup>	T7 <sup>2)</sup>	T8	T9	T10	T11
5303.124 <sup>4)</sup>	24	799	793	711	652	465	451	675	735	751	1217.5	-	1111	825	910	711	652	520	150	129	85	675	735	650
5303.134 <sup>4)</sup>	24	799	793	711	652	465	451	675	735	751	1217.5	-	1111	825	910	711	652	520	150	129	85	675	735	650
5303.154 <sup>5)</sup>	24	799	793	711	652	465	451	675	735	751	1217.5	1311.5	1111	825	910	711	652	520	150	129	85	675	735	650
5305.124 <sup>4)</sup>	38	799	793	711	652	465	451	675	735	751	1817.5	-	1711	825	910	711	652	520	150	129	85	675	735	650
5307.124 <sup>4)</sup>	42	799	793	711	652	465	451	675	735	751	2017.5	-	1911	825	910	711	652	520	150	129	85	675	735	650
5307.134 <sup>4)</sup>	42	799	793	711	652	465	451	675	735	751	2017.5	-	1911	825	910	711	652	520	150	129	85	675	735	650
5307.154 <sup>5)</sup>	42	799	793	711	652	465	451	675	735	751	2017.5	2111.5	1911	825	910	711	652	520	150	129	85	675	735	650
5312.124 <sup>4)</sup>	47	799	793	711	652	465	451	675	735	751	2217.5	-	2111	825	910	711	652	520	150	129	85	675	735	650

<sup>1)</sup> Min. distance 50 mm <sup>2)</sup> Min. distance 54 mm <sup>3)</sup> Max. distance 695 mm <sup>4)</sup> Without base/plinth <sup>5)</sup> Including base/plinth