



SV  
3514.000

600V~  
1100A with cover  
1400A without cover

600V~  
1100A

Raum für Verpackungsdatum  
Area for date of packing  
(MMJJTT / MMYDD)



3x



M10x40

3x



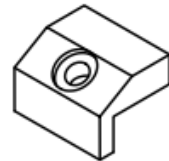
A10,5

3x

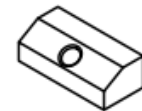


A10,2

3x



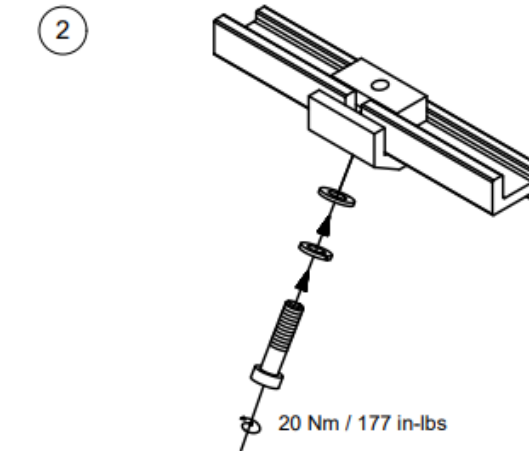
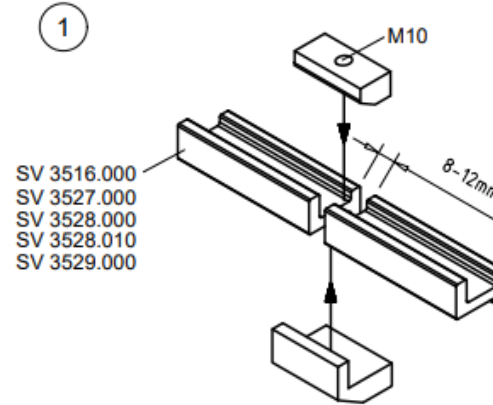
3x



Zchng.-Nr. / No. of dwg. : A0414008SV

Versandbeutel-Nr. / No. of accessory bag : -

Lieferanten-Nr. / No. of supplier :



Article No.	SV3514.000			
Suitable for use on a circuit capable of delivering not more than SCCR symmetrical amperes	Maximum voltage AC	Maximum condition when protected by	Spacing between supports	Useable supports
[kA]	[V]		[mm]	SV
65	600	Class L 1400A Fuses	250	9342.050
35	600	-	150	9342.050
30	600	-	250	9342.050
25	600	-	500	9342.050

For further information: [www.rittal.com](http://www.rittal.com)