



SV
3505.000

600V~
500A with cover
700A without cover

600V~
500A

Raum für Verpackungsdatum
Area for date of packing
(MMJJTT / MMYDD)



6x



M8x30

6x



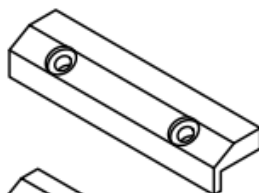
A8,4

6x

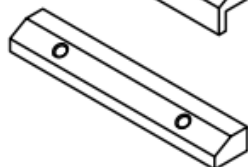


A8,1

3x



3x

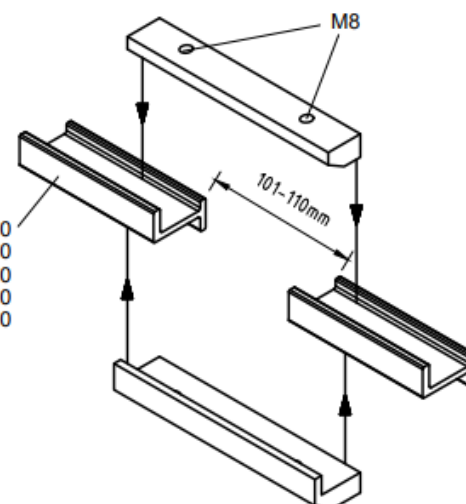


Zchnng.-Nr. / No. of dwg. : A0412708SV
Versandbeutel-Nr. / No. of accessory bag : -

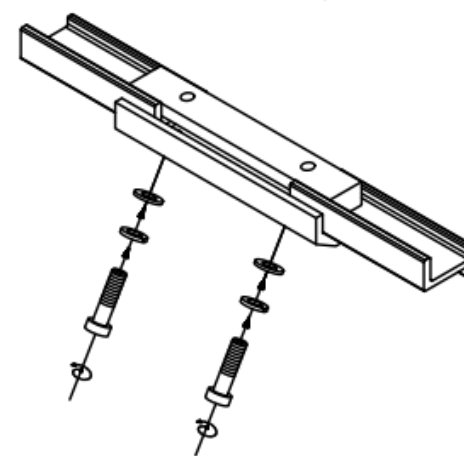
Lieferanten-Nr. / No. of supplier :

1

SV 3509.000
SV 3524.000
SV 3525.000
SV 3525.010
SV 3526.000



2



15 Nm / 133 in-lbs

Article No.	SV3505.000		
Suitable for use on a circuit capable of delivering not more than SCCR symmetrical amperes	Maximum voltage AC	Maximum condition when protected by	Spacing between supports
[kA]	[V]		[mm]
22	600	-	200
14	600	-	500

For further information: www.rittal.com