



www.rittal.com

VX IT

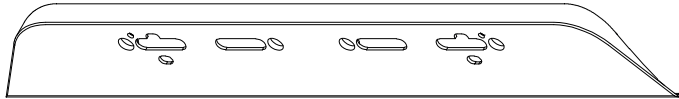
7030.692

7030.626

1x



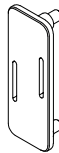
1x



1x



1x



2x



M5x21,6

1x



M4x12

2x

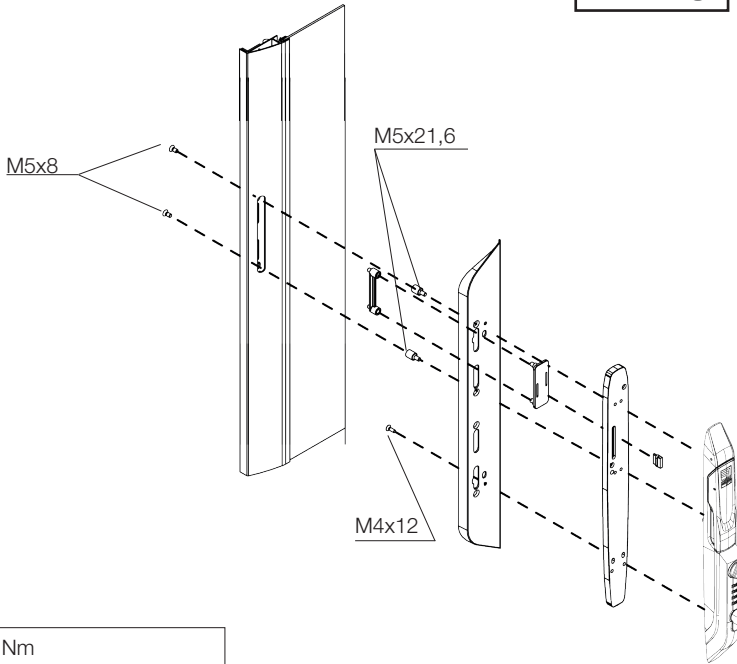
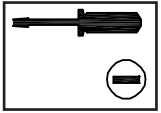


M5x8

1x



TX25

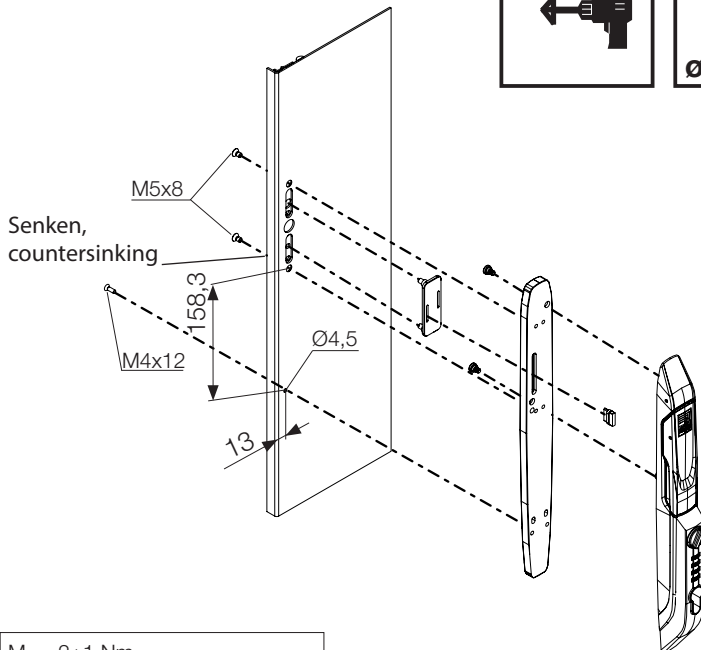


$M_A = 2+1 \text{ Nm}$



$\varnothing 4,5$

TX25



$M_A = 2+1 \text{ Nm}$