

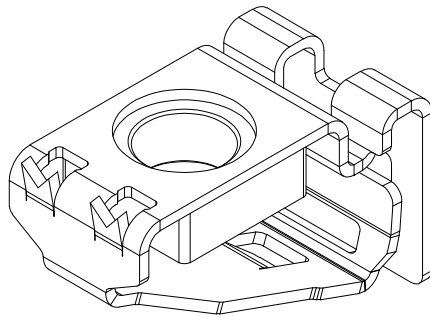


VX
4165500



www.rittal.com

20 x



M8

Zchnng.-Nr. / No. of dwg. : A07660201VX
Versandbeutel-Nr. / No. of accessory bag : -

Lieferanten-Nr. / No. of supplier :

