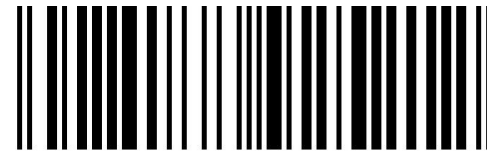


SZ
2574.100

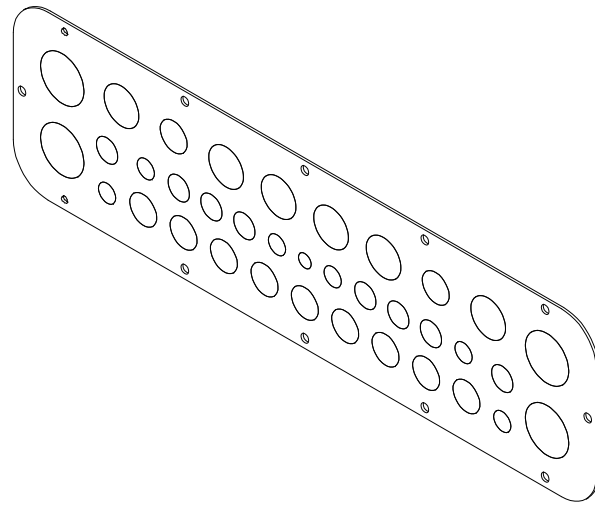
AX metal gland plate
Only for use with Rittal
AX series products



4028177925212

Raum für Verpackungsdatum
Area for date of packing
(MMJJTT / MMYDD)

1x



Note:

- All openings on the gland plate shall be filled by suitably type rated equipment and considerations shall be given to strain relief.
 - This gland plate can be used to replace the gland plate supplied with the AX series product.
- The screws and gaskets already supplied with the AX series product must be used for proper installation.
- When type 12K gland plates are mounted to a Type 12 enclosure, the enclosure shall maintain its Type 12 rating.

Zchnng.-Nr. / No. of dwg. : A08751703SZ

Versandbeutel-Nr. / No. of accessory bag : --

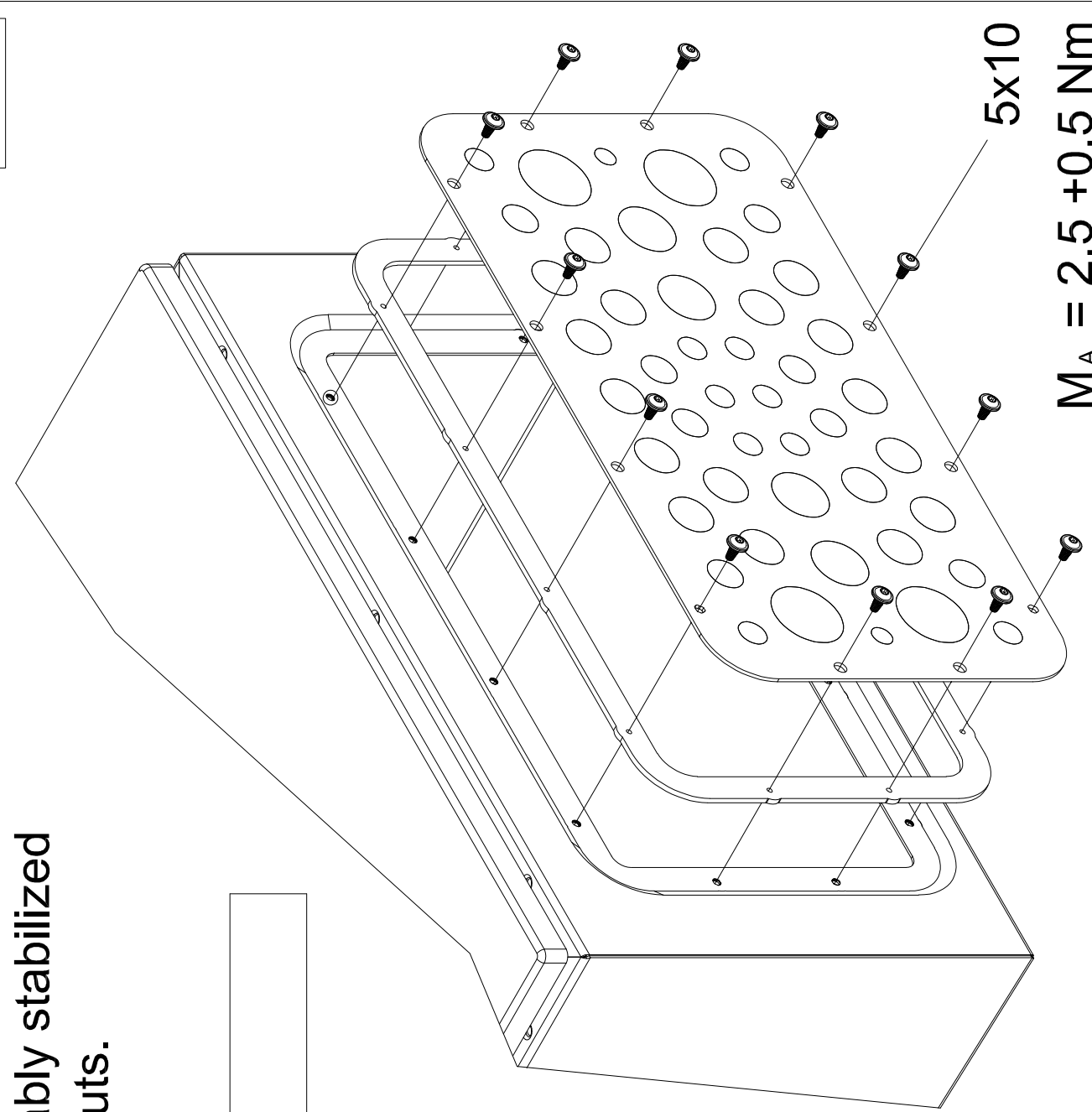
Made in XXXXX

Lieferanten-Nr. / No. of supplier :

RITTAL GmbH & Co.KG, Auf dem Stuetzelberg, 35745 Herborn
Rittal Limited, Braithwell Way, Hellaby Rotherham, S66 8QY, UK

TX25

Vor dem Entfernen der Vorprägungen
ist die rückseitige Kontur geeignet abzustützen.
The rear side has to be suitably stabilized
before removing the break-outs.



$M_A = 2,5 +0,5 \text{ Nm}$

