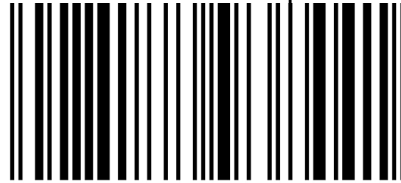




SZ

2566.200

AX plastic gland plate
Only for use with Rittal
AX series products



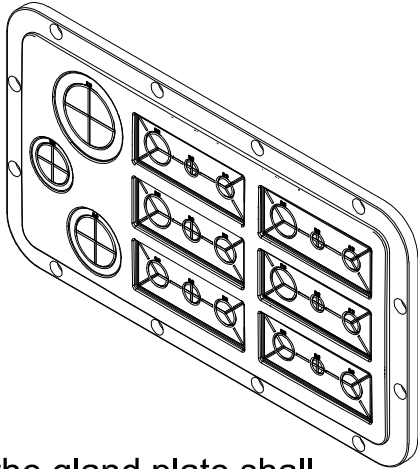
4028177938441



www.rittal.com

Raum für Verpackungsdatum
Area for date of packing
(MMJJTT / MMYDD)

1x



Note:

- All openings on the gland plate shall be filled by suitably type rated equipment and considerations shall be given to strain relief.
 - This gland plate can be used to replace the gland plate supplied with the AX series product.
- The screws and gaskets already supplied with the AX series product must be used for proper installation.

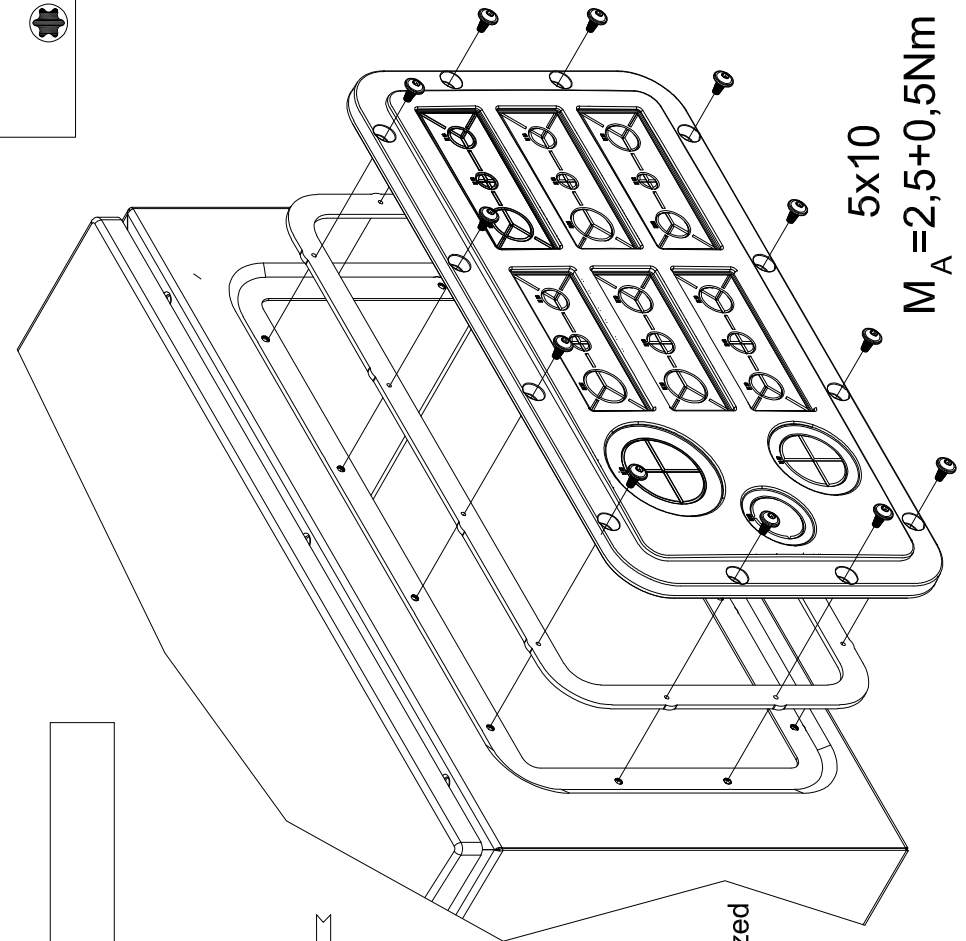
Zchnng.-Nr. / No. of dwg. : A08729203SZ

Made in xxxxxx

Lieferanten-Nr. / No. of supplier :

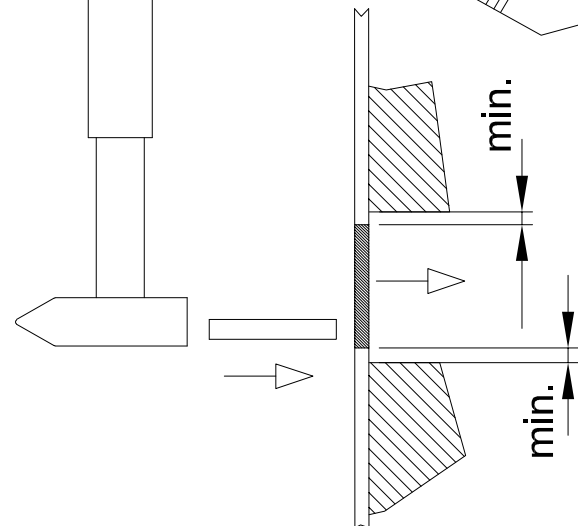
RITTAL GmbH & Co.KG, Auf dem Stuetzelberg, 35745 Herborn
Rittal Limited, Braithwell Way, Hellaby Rotherham, S66 8QY, UK

TX25



5x10

$M_A = 2,5 + 0,5Nm$



Vor dem Entfernen der Vorrägungen ist die rückseitige Kontur geeignet abzustützen.

The rear side has to be suitably stabilized before removing the break-outs.