



# SZ

## 2564.200

AX plastic gland plate  
Only for use with Rittal  
AX series products



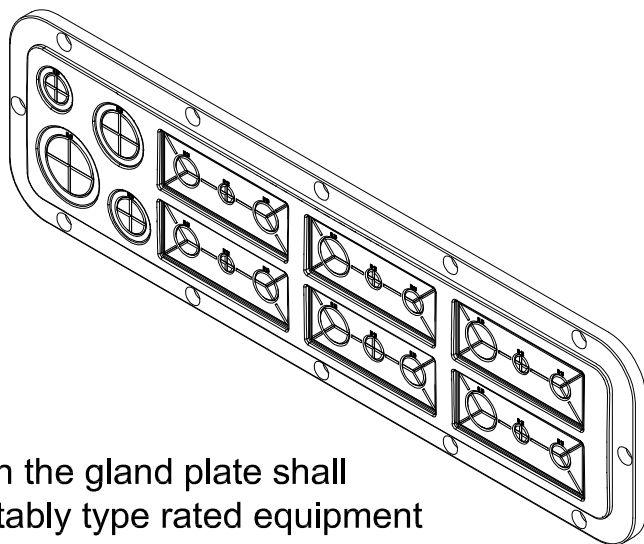
### 4028177938427



www.rittal.com

Raum für Verpackungsdatum  
Area for date of packing  
(MMJJTT / MMYDD)

# 1x



Note:

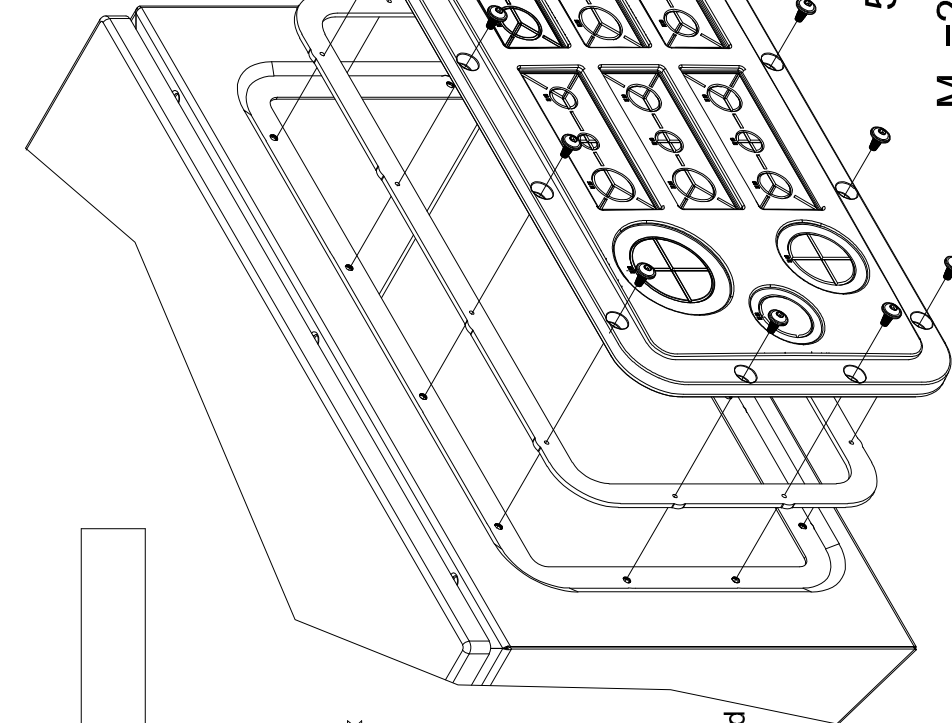
- All openings on the gland plate shall be filled by suitably type rated equipment and considerations shall be given to strain relief.
  - This gland plate can be used to replace the gland plate supplied with the AX series product.
- The screws and gaskets already supplied with the AX series product must be used for proper installation.

Zchn.-Nr. / No. of dwg. : A08728703SZ

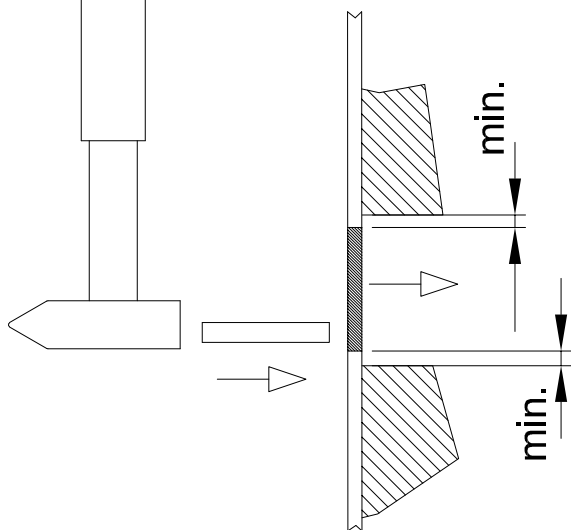
Made in xxxxxx

Lieferanten-Nr. / No. of supplier :

RITTAL GmbH & Co.KG, Auf dem Stuetzelberg, 35745 Herborn  
Rittal Limited, Braithwell Way, Hellaby Rotherham, S66 8QY, UK



$M_A = 2,5 + 0,5Nm$



Vor dem Entfernen der Vorprägungen ist die rückseitige Kontur geeignet abzustützen.  
The rear side has to be suitably stabilized before removing the break-outs.