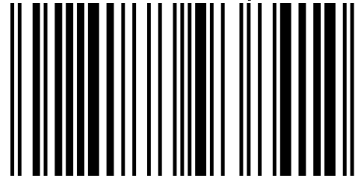




SZ

2563.200

AX plastic gland plate
Only for use with Rittal
AX series products



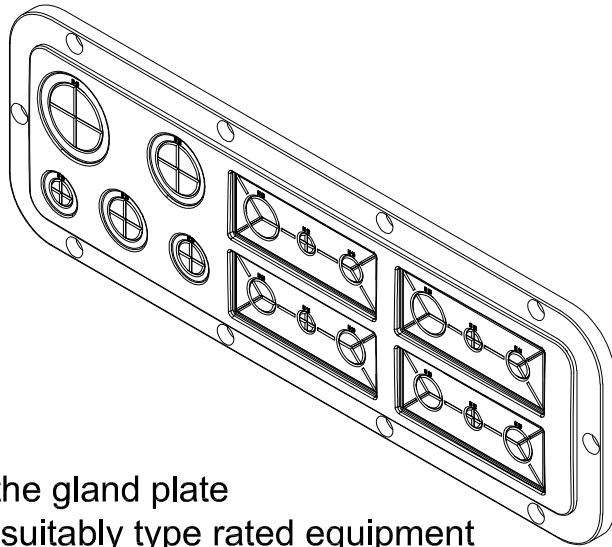
4028177938410



www.rittal.com

Raum für Verpackungsdatum
Area for date of packing
(MMJJTT / MMYDD)

1x



Note:

- All openings on the gland plate shall be filled by suitably type rated equipment and considerations shall be given to strain relief.
 - This gland plate can be used to replace the gland plate supplied with the AX series product.
- The screws and gaskets already supplied with the AX series product must be used for proper installation.

Zchn.-Nr. / No. of dwg. : A08728303SZ

Made in xxxxxx

Lieferanten-Nr. / No. of supplier :

RITTAL GmbH & Co.KG, Auf dem Stuetzelberg, 35745 Herborn
Rittal Limited, Braithwell Way, Hellaby Rotherham, S66 8QY, UK

