

Rittal – The System.

Faster – better – everywhere.

Compact enclosures AX, sheet steel

Technical documentation
Load capacity



ENCLOSURES

POWER DISTRIBUTION

CLIMATE CONTROL

IT INFRASTRUCTURE

SOFTWARE & SERVICES



FRIEDHELM LOH GROUP

Compact enclosures AX, sheet steel

Contents/general remarks

Contents

1. General notes	2
2. Enclosure	3
3. Mounting plate	3
4. Door	4
5. Mounting variants	4
5.1 Wall mounting bracket	4
5.2 Wall mounting bracket	5
5.3 Wall angle.....	5
5.4 Pole clamp	5
6. Transportation by crane	6

1. General notes

Based on the results of in-depth testing, we hope that this technical documentation will assist you with the transport and siting of enclosures.

The technical descriptions for the various loading options with the AX compact enclosures are not warranted properties, and we are unable to accept any liability in this regard.

Additionally, Rittal reserves the right to extend or modify this technical documentation as and when necessary.

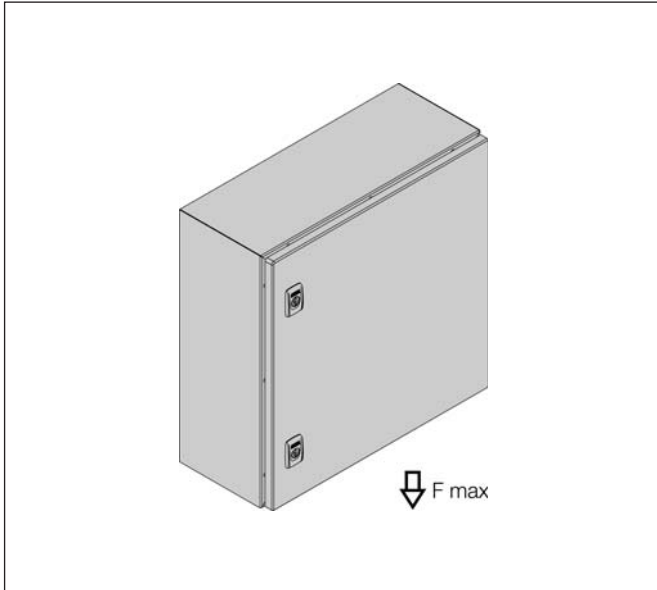
To aid understanding of the load specifications given in Newtons, here is the conversion formula for converting into kilograms.

$$F \text{ [N]} = m \text{ [kg]} \cdot g \text{ [m/s}^2\text{]}$$

Example: $9.81 \text{ N} = 1 \text{ kg} \cdot 9.81 \text{ m/s}^2$ static load

Should you have any further questions or suggestions on the points raised in this technical documentation, please get in touch with your Rittal specialist advisor.

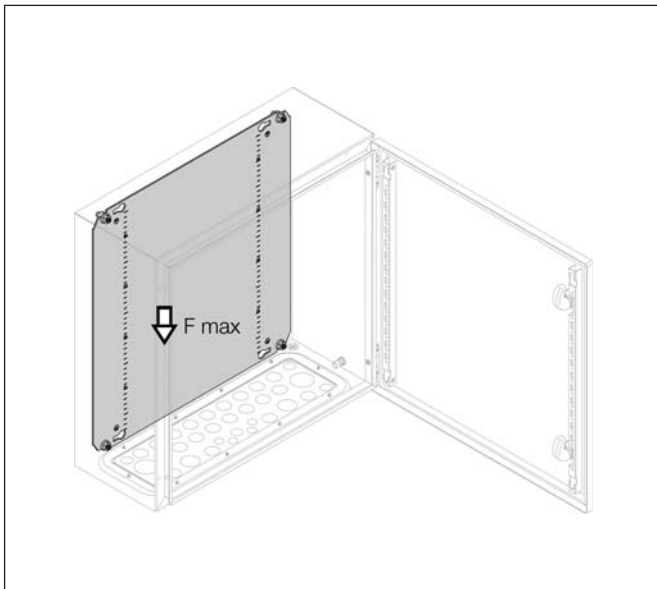
2. Enclosures



Overall load AX

Model No. Sheet steel	F [N]
1031.000, 1033.000, 1034.000, 1045.000, 1380.000	900
1038.000, 1039.000, 1050.000, 1338.000, 1339.000, 1350.000	1300
1037.000, 1054.000, 1057.000, 1060.000, 1360.000	1500
1055.000, 1058.000, 1059.000, 1073.000, 1076.000, 1077.000, 1376.000	1800
1090.000, 1091.000, 1100.000, 1110.000, 1130.000, 1180.000, 1181.000	2500
1114.000, 1115.000, 1116.000, 1213.000, 1214.000, 1260.000, 1261.000, 1280.000, 1281.000	3000

3. Mounting plate



In standard enclosures.

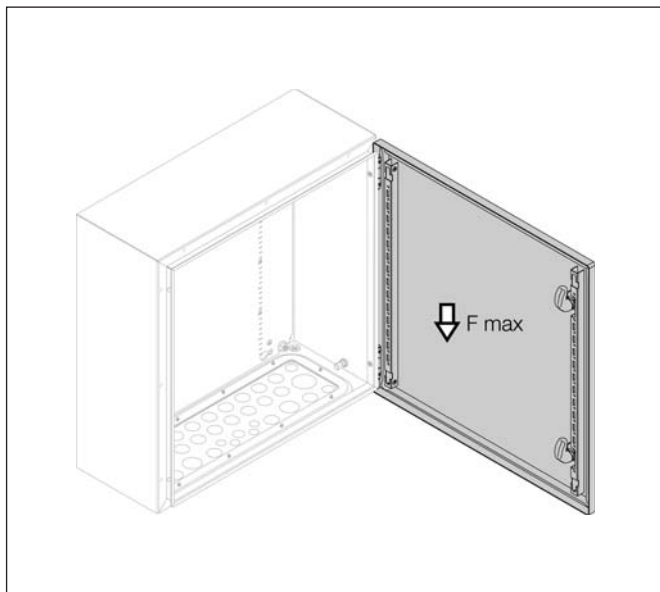
Load values apply to symmetrical loading.

Model No. Sheet steel	F [N]
1031.000, 1033.000, 1034.000, 1045.000, 1380.000	600
1038.000, 1039.000, 1050.000, 1338.000, 1339.000, 1350.000	1000
1037.000, 1054.000, 1057.000, 1060.000, 1360.000	1200
1055.000, 1058.000, 1059.000, 1073.000, 1076.000, 1077.000, 1376.000	1500
1090.000, 1091.000, 1100.000, 1110.000, 1130.000, 1180.000, 1181.000	2000
1114.000, 1115.000, 1116.000, 1213.000, 1214.000, 1260.000, 1261.000, 1280.000, 1281.000	2500

Compact enclosures AX, sheet steel

Load/attachment

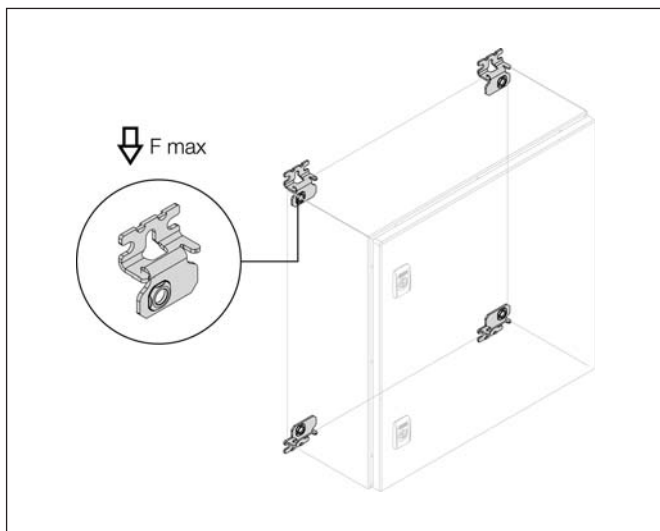
4. Door



Load values apply to symmetrical loading.
The enclosure must be securely attached to ensure its stability.

Model No. Sheet steel	F [N]
1039.000, 1339.000	150
1031.000, 1033.000, 1034.000, 1037.000, 1038.000, 1045.000, 1050.000, 1054.000, 1055.000, 1057.000, 1058.000, 1059.000, 1060.000, 1073.000, 1076.000, 1077.000, 1090.000, 1091.000, 1338.000, 1350.000, 1360.000, 1376.000, 1380.000	250
1100.000, 1110.000, 1130.000, 1180.000, 1181.000, 1114.000, 1115.000, 1116.000, 1213.000, 1214.000, 1260.000, 1261.000, 1280.000, 1281.000	400

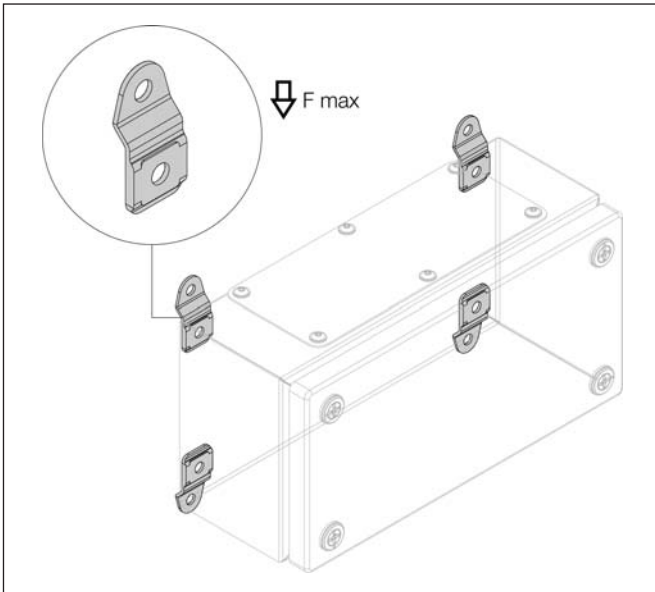
5. Mounting variants



5.1 Wall mounting bracket 2503.020, 2508.020

Can also be installed rotated through 90°.
With symmetrical loading, the load for four brackets is $F = 1500 \text{ N}$
Note max. enclosure loading!

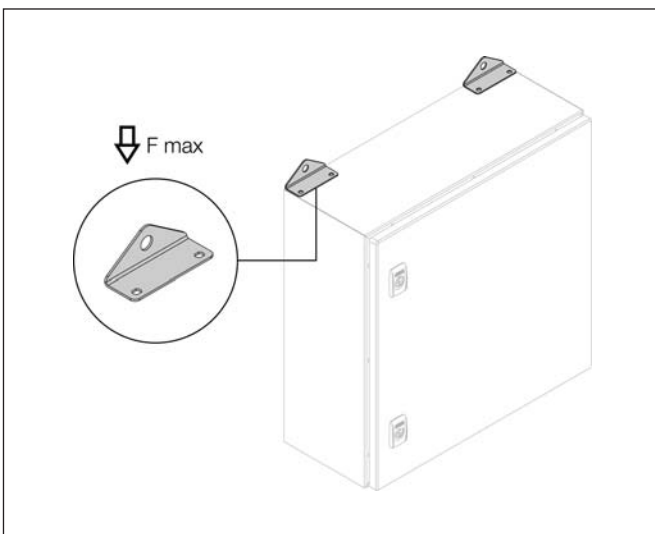
5. Mounting variants



5.2 Wall mounting bracket 1590.010

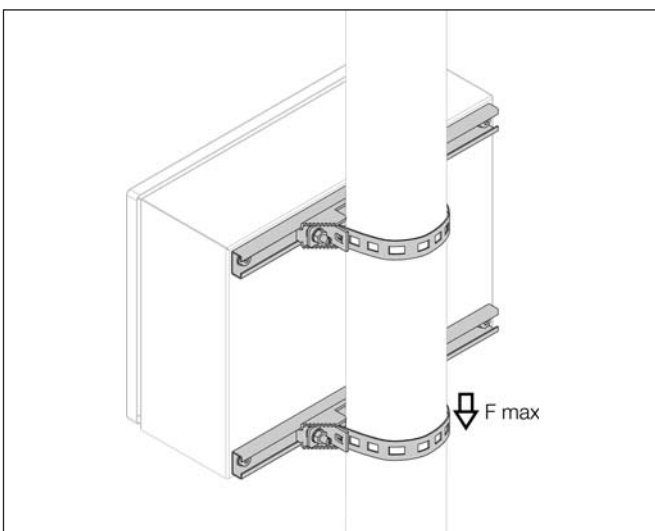
Can also be installed rotated through 90°.

With symmetrical loading, the load for four brackets is $F = 900 \text{ N}$
Note max. enclosure loading!



5.3 Wall angle 2505.510

With symmetrical loading, the load for four angles is $F = 3000 \text{ N}$
for two angles is $F = 2000 \text{ N}$
Note max. enclosure loading!



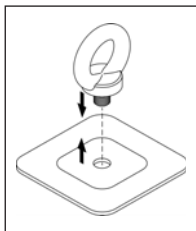
5.4 Pole clamp 2584.100

With symmetrical loading, the load for two pole clamps is $F = 1000 \text{ N}$
Note max. enclosure loading!

Compact enclosures AX, sheet steel

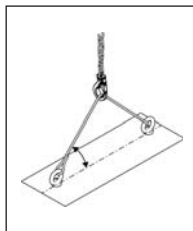
Transport

6. Transportation by crane



Eyebolt 2509.010

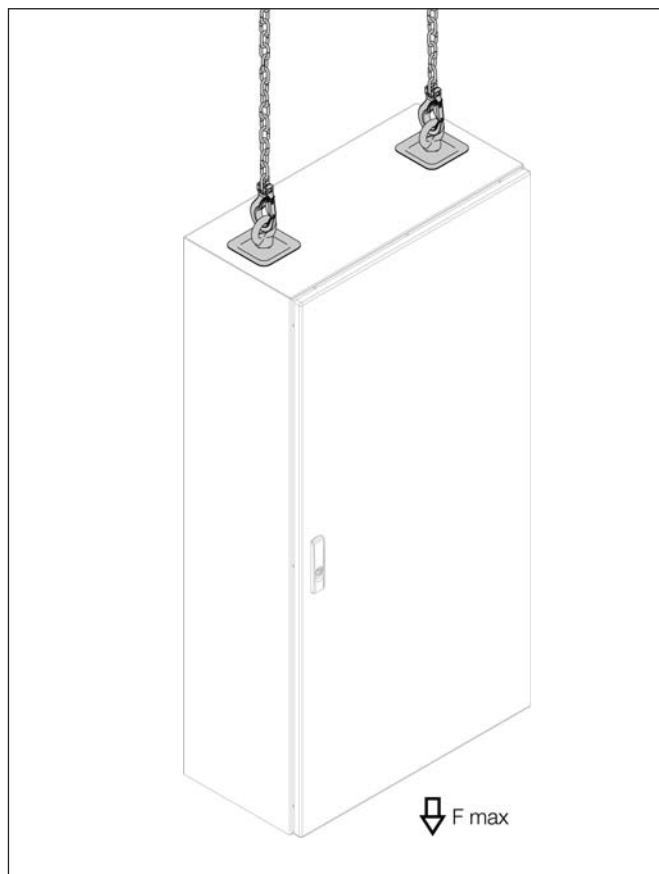
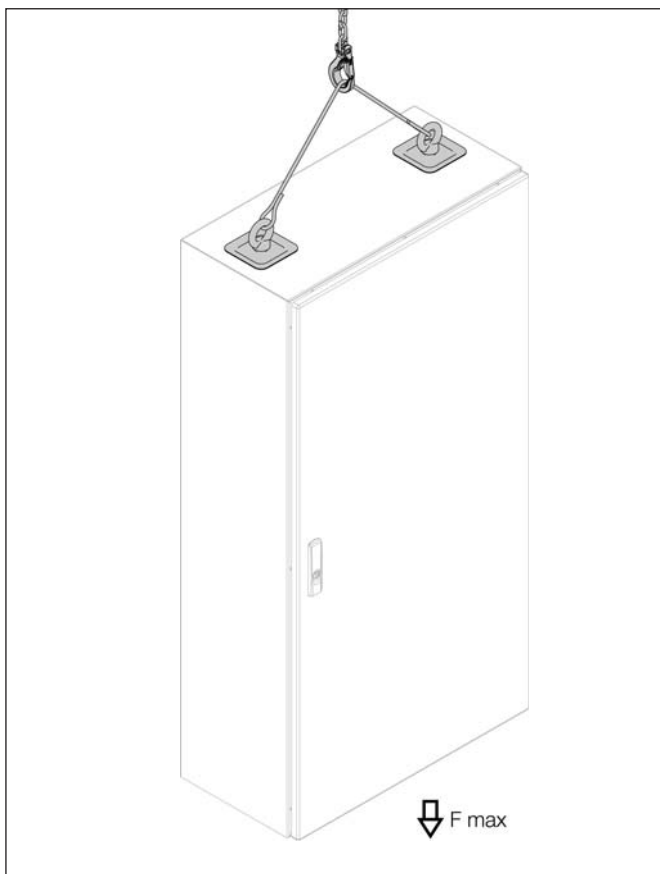
For transporting enclosures by crane (based on DIN 580). The reinforcement plate is included with the supply of the eyebolts. It is fitted from the inside.



Cable pull

With eyebolts

Enclosures are safely transported using the eyebolts.



For symmetrical loads, the following maximum permissible loads apply:

$$\triangle F = 2400 \text{ N at } 45^\circ$$

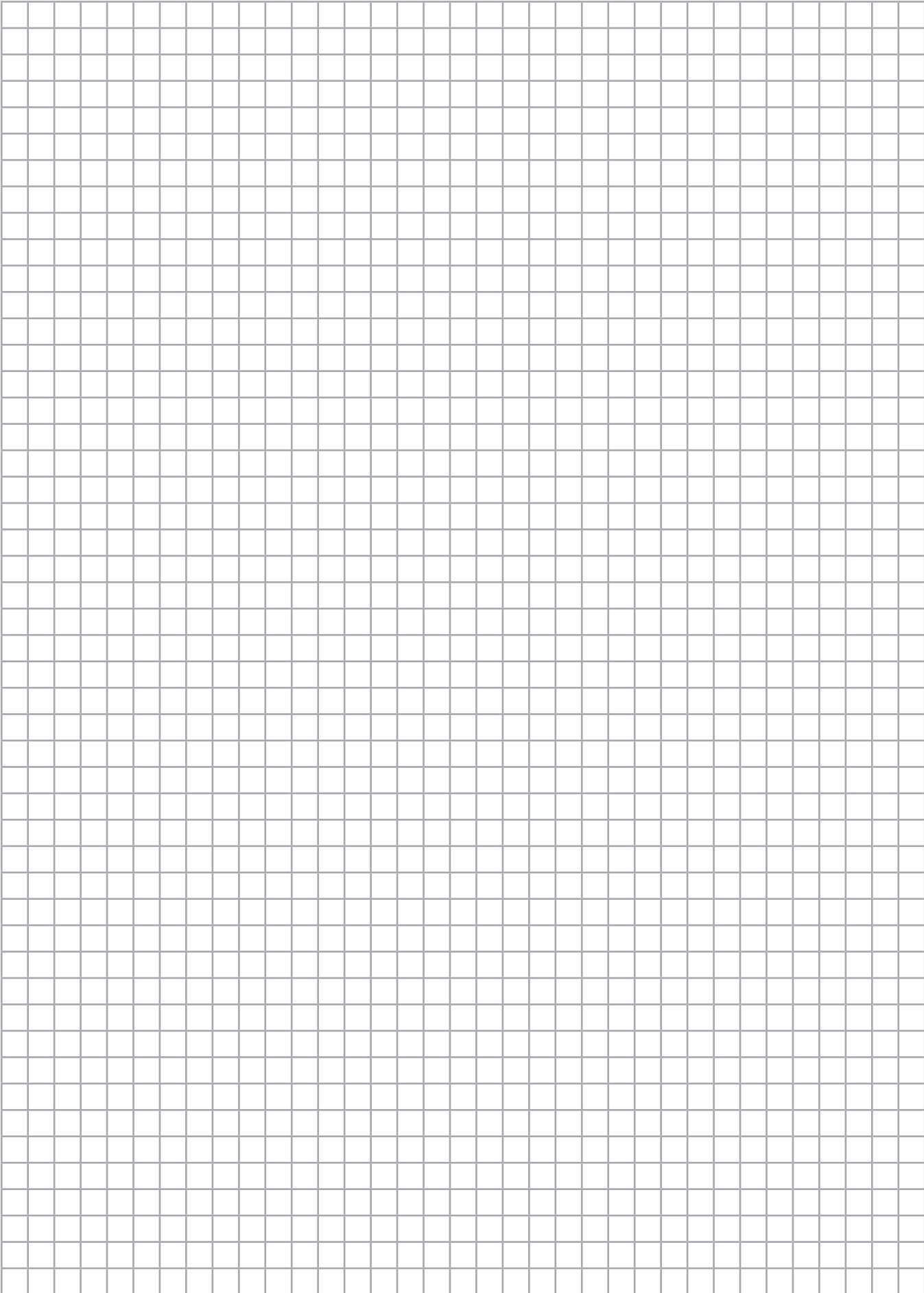
$$\triangle F = 3200 \text{ N at } 60^\circ$$

For a symmetrical load suspended vertically, the load per eyebolt is

$$F = 2000 \text{ N}$$

Compact enclosures AX, sheet steel

Notes



Rittal – The System.

Faster – better – everywhere.

- Enclosures
- Power Distribution
- Climate Control
- IT Infrastructure
- Software & Services

You can find the contact details of all Rittal companies throughout the world here.



www.rittal.com/contact

XWWW00206EN2311

ENCLOSURES

POWER DISTRIBUTION

CLIMATE CONTROL

IT INFRASTRUCTURE

SOFTWARE & SERVICES



FRIEDHELM LOH GROUP