

# Rittal – The System.

Faster – better – everywhere.



LCP Rack DX 20  
LCP Inline DX 20

3313.290  
3313.390

## Assembly and operating instructions

ENCLOSURES

POWER DISTRIBUTION

CLIMATE CONTROL

IT INFRASTRUCTURE

SOFTWARE & SERVICES

FRIEDHELM LOH GROUP



# Foreword

---

## Foreword

Dear Customer!

Thank you for choosing a Rittal Liquid Cooling Package DX (referred to hereafter also as "LCP DX").

This documentation applies to device LCP Inline DX 20 (DX = Direct Expansion).

Please take the time to read this documentation carefully and pay particular attention to the safety instructions in the text and to section 2 "Safety instructions".

This is the prerequisite for:

- secure assembly of the LCP DX
- safe handling and
- the most trouble-free operation possible.

Please keep the complete documentation readily available so that it is always on hand when needed.

We wish you every success!

Your,  
Rittal GmbH & Co. KG

Rittal GmbH & Co. KG  
Auf dem Stützelberg

35745 Herborn  
Germany

Tel.: +49(0)2772 505-0  
Fax: +49(0)2772 505-2319

E-mail: [info@rittal.de](mailto:info@rittal.de)  
[www.rittal.com](http://www.rittal.com)  
[www.rittal.de](http://www.rittal.de)

We are always happy to answer any technical questions regarding our entire range of products.

## Contents

<b>1</b>	<b>Notes on documentation</b>	<b>5</b>	<b>6.3</b>	Connecting the condensate discharge	24
1.1	CE labelling	5	6.4	Electrical connection	25
1.2	Information on electromagnetic compatibility	5	6.4.1	General	25
1.3	Storing the documents	5	6.4.2	Connecting the LCP DX	26
1.4	Symbols in these operating instructions	5	6.4.3	Connecting the external condenser	26
1.5	Other applicable documents	5	6.5	Checking the entire system prior to commissioning	27
1.6	Normative instructions	5	<b>7</b>	<b>Operation</b>	<b>28</b>
1.6.1	Legal information concerning the operating instructions	5	7.1	Control and display components	28
1.6.2	Copyright	5	7.2	Switching the LCP DX on and off	28
1.6.3	Revision	5	7.2.1	Switching on the LCP DX and the external condenser	28
<b>2</b>	<b>Safety instructions</b>	<b>6</b>	7.2.2	Switching off the LCP DX and the external condenser	28
2.1	Important safety instructions	6	7.2.3	Switching off in an emergency	28
2.2	Service and technical staff	7	7.3	Layout of the user interface	28
2.2.1	Personal safety equipment	7	7.4	General operating instructions	28
2.3	Operator requirements	7	7.4.1	Moving between menus	28
2.3.1	Abbreviated instructions	7	7.4.2	Changing parameter values	28
2.3.2	System log	7	7.5	Start screen	28
2.3.3	F-gas regulation	8	7.6	Menu level A "On/Off Unit"	29
2.3.4	Chemicals – Climate Protection Ordinance	8	7.6.1	Menu A01	29
2.4	RoHS compliance	8	7.6.2	Menu A02	29
<b>3</b>	<b>Device description</b>	<b>9</b>	7.7	Menu level B "Setpoint"	29
3.1	General functional description	9	7.7.1	Menu B01	29
3.2	Air routing	9	7.7.2	Menu B02	29
3.2.1	General	9	7.8	Menu level C "Clock/Scheduler"	30
3.2.2	LCP Rack DX	10	7.8.1	Menu C01	30
3.2.3	LCP Inline DX	11	7.8.2	Menu C02 – C04	30
3.3	Equipment assembly	11	7.8.3	Menu C05	30
3.3.1	Unit components	11	7.9	Menu level D "Input/Output"	30
3.3.2	Coolant circuit	12	7.9.1	Menu D01 – D06	30
3.3.3	External condenser	12	7.9.2	Menu D07 – D12	30
3.3.4	Fan module	13	7.9.3	Menu D13	30
3.4	Proper and improper usage	13	7.9.4	Menu D14	30
3.5	Supply scope of a LCP DX	13	7.9.5	Input/output menu	30
<b>4</b>	<b>Transportation and handling</b>	<b>14</b>	7.10	Menu level E "Data logger"	30
4.1	Transportation	14	7.10.1	Menu E01	30
4.2	Unpacking	14	7.11	Menu level F "Board switch"	30
<b>5</b>	<b>Assembly and siting</b>	<b>15</b>	7.12	Menu level G "Service"	31
5.1	General	15	7.12.1	Menu Ga "Change language"	31
5.1.1	Installation site requirements	15	7.12.2	Menu Gb "Information"	31
5.1.2	Prepare the installation room	16	7.12.3	Menu Gd "Working hours"	31
5.1.3	Installation guidelines	16	7.13	Configure the pCO Web card	31
5.2	Assembly procedure	16	7.13.1	Activate the factory bootswitch parameters	31
5.2.1	General	16	7.13.2	Logging on to the pCO Web card	31
5.2.2	Fit the attenuators	17	7.13.3	Configure the network interface	32
5.2.3	Dismantle the side panels	17	7.13.4	E-mail configuration	32
5.2.4	Seal the server enclosure	17	7.13.5	LCP DX supervisory table	33
5.2.5	Installation and baying of the LCP DX	18	<b>8</b>	<b>Troubleshooting</b>	<b>37</b>
5.2.6	Mounting the side panel	19	8.1	General	37
5.3	External condenser	19	8.2	Alarm relay circuit	37
<b>6</b>	<b>Installation</b>	<b>21</b>	8.3	List of error messages and solutions	38
6.1	General	21	<b>9</b>	<b>Inspection and maintenance</b>	<b>41</b>
6.2	Notes on pipework	21	9.1	Safety instructions concerning maintenance work	41

# Contents

---

9.2	Cleaning the heat exchanger.....	41	16	Further technical information .....	61
9.3	Fan installation .....	41	16.1	Coolant information.....	61
10	Storage and disposal .....	43	16.2	Cooling output .....	61
11	Technical specifications .....	44	16.3	Overview drawing.....	62
11.1	LCP Rack DX/LCP Inline DX .....	44	16.4	Circuit diagram.....	69
11.2	Standard condenser .....	45	16.5	Piping and instrumentation diagram to DIN EN 1861:1998 .....	70
11.3	Low temperature unit.....	46	17	Glossary .....	72
11.3.1	Low temperature condenser for ambient temperatures up to -40 °C .....	46	18	Customer service addresses .....	73
11.3.2	Winter kit module for operating the low temperature condenser unit .....	46			
11.4	High temperature condenser for ambient temperatures up to +53 °C .....	47			
11.5	Total refrigerant charge .....	48			
11.6	Refrigerant pipes.....	48			
12	Spare parts .....	49			
13	Accessories .....	50			
14	SNMP card .....	51			
15	Options .....	54			
15.1	General information.....	54			
15.2	Humidifier.....	54			
15.2.1	General information .....	54			
15.2.2	Activating the humidifier .....	54			
15.2.3	Setting the humidity setpoint .....	54			
15.2.4	Technical specifications .....	54			
15.2.5	Installation prerequisites .....	55			
15.3	Electrical heaters.....	55			
15.3.1	General information .....	55			
15.3.2	Activating the heaters .....	56			
15.3.3	Technical specifications .....	56			
15.4	Dehumidification .....	56			
15.4.1	General information .....	56			
15.4.2	Activating the dehumidification .....	56			
15.4.3	Installation prerequisites .....	57			
15.5	Condensate pump .....	57			
15.5.1	General information .....	57			
15.5.2	Technical specifications .....	57			
15.5.3	Installation .....	57			
15.6	Low temperature unit.....	58			
15.6.1	General information .....	58			
15.6.2	Installation .....	58			
15.7	High temperature condenser.....	58			
15.7.1	General information .....	58			
15.7.2	Installation prerequisites .....	58			
15.8	Air filter.....	58			
15.8.1	General information .....	58			
15.8.2	Setting the threshold .....	58			
15.8.3	Maintenance .....	59			
15.9	Redundancy .....	59			
15.9.1	General information .....	59			
15.9.2	Installation .....	59			
15.9.3	Activating the redundancy .....	59			
15.9.4	Installation prerequisites .....	60			

## 1 Notes on documentation

### 1.1 CE labelling

Rittal GmbH & Co. KG hereby confirms that the cooling units in the LCP DX series are compliant with the EMC Directive 2014/30/EC as well as with the Machinery Directive 2006/42/EC. A corresponding declaration of conformity has been issued and enclosed with the documentation package supplied with the unit.

The cooling unit bears the following mark.



### 1.2 Information on electromagnetic compatibility

The LCP DX is a class A device as defined by EN 55022. Under certain circumstances, the device may cause radio interference in domestic environments. In such cases, the operator may be asked to implement appropriate measures.

### 1.3 Storing the documents

The assembly and operating instructions as well as all applicable documents are integral components of the product. They must be handed to those persons who are engaged with the unit and must always be available and on hand for operating and maintenance personnel.

### 1.4 Symbols in these operating instructions

The following symbols are found in this documentation:



**Danger!**  
Hazardous situation which may lead to death or serious injury if the instructions are not followed.



**Warning!**  
Hazardous situation which may lead to death or serious injury if the instructions are not followed.



**Caution!**  
Hazardous situation which may lead to (minor) injuries if the instructions are not followed.



**Note:**  
Information concerning individual procedures, explanations, or tips for simplified approaches. Also indicates situations which may result in material damage.

■ This symbol indicates an "Action Point" and shows that you should carry out an operation/procedure.

### 1.5 Other applicable documents

The general plant documentation for the room where the equipment is situated (construction specifications for the ventilation system) also applies in conjunction with these assembly and operating instructions.

### 1.6 Normative instructions

#### 1.6.1 Legal information concerning the operating instructions

We reserve the right to make changes in content. Rittal GmbH & Co. KG is not responsible for any damage which may result from failure to comply with these assembly and operating instructions. The same applies to failure to comply with the valid documentation for accessories used.

#### 1.6.2 Copyright

The distribution and duplication of this document and the disclosure and use of its contents are prohibited unless expressly authorised.

Offenders will be liable for damages. All rights created by a patent grant or registration of a utility model or design are reserved.

#### 1.6.3 Revision

Rev. 2 of 06/12/2021

# 2 Safety instructions

2

## 2 Safety instructions

The devices in the LCP DX series produced by Rittal GmbH & Co. KG are developed and produced with due regard for all safety precautions. Nevertheless, the unit still poses a number of unavoidable dangers and residual risks. The safety instructions provide you with an overview of these dangers and the necessary safety precautions.

In the interests of your safety and the safety of others, please read these safety instructions carefully before assembly and commissioning of the LCP DX.

Follow the user information found in these instructions and on the unit carefully.

### 2.1 Important safety instructions



**Danger! Electric shock!**  
Contact with live electrical parts may be lethal.

Before switching on, ensure that there is no possibility of accidental contact with live electrical parts.

The unit has a high discharge current. Before connecting to the supply circuit, therefore, it is essential to make a 6 mm<sup>2</sup> earth connection (see section 16.4 "Circuit diagram").



**Danger! Injury caused by fan impellers!** Keep persons and objects away from the fan impellers! Do not remove covers until the power supply is disconnected and impellers are not moving! Always use mechanical protection when working! Shut down the respective fan during maintenance work! Tie long hair back! Do not wear loose clothing! Fans start up automatically following power disruptions!



**Danger! Hot components may cause injury!**  
In particular, never touch the compressor and cables while operational and for some time thereafter, as they may still be hot.



**Danger! Risk of poisoning from coolant gases created under the influence of heat.**

When carrying out welding and soldering work on the coolant circuit, use protective gloves and breathing apparatus with a filter. In case of major leaks, stop smoking immediately. Avoid fire and naked flames.



**Danger! Risk of injury from incorrect installation.**

Installation of the coolant lines and other media connections must only be carried out by qualified plumbers or cooling technology specialists.



**Danger! Threat to the environment from escaping coolant!**

Never allow the coolant to escape into the environment if at all possible (see section 2.3.3 "F-gas regulation").



**Danger! Injury due to falling loads!**

Do not stand under suspended loads when transporting the unit with a hoist trolley, a forklift, or a crane.



**Warning! Danger of cut wounds, especially from the sharp edges of the fan module and heat exchanger modules!**  
Put on protective gloves before beginning assembly or cleaning work!



**Warning! Injuries from escaping coolant!**

Escaping gas may freeze the skin. Before working on the cooling circuit, put on protective gloves and goggles.



**Caution! Risk of malfunction or damage!**  
Do not modify the unit! Use only original spare parts!



**Caution! Risk of malfunction or damage!**  
**Proper and flawless unit operation can only be ensured when it is operated under the intended ambient conditions. As far as possible, observe the ambient conditions for which the unit was designed, e.g. temperature, humidity, air purity.**



**Caution! Risk of malfunction or damage!**  
**All media required for the control system, such as the correct fill volume of coolant, must be available throughout the entire operating period of the device.**



**Caution! Risk of malfunction or damage!**  
**Installation, and in particular the coolant line pipework between the external condenser and the LCP DX, must only be carried out by trained, qualified and accredited cooling system specialists.**



**Caution! Risk of malfunction or damage!**  
**In order to prevent EMC-related malfunctions during operation, and to allow access for servicing purposes, cross-wiring through the LCP DX to the bayed racks is prohibited.**

The electrical equipment protection devices must be

- adequate and useful for the intended use;
- placed correctly;
- easily identifiable which part(s) or circuit(s) of the equipment is (are) affected (e.g. where necessary, with durable marking).

Appropriate means must be provided to prevent unintentional and/or erroneous closure of such devices from the control unit or from other locations.

As a general requirement, please observe the following five safety rules to DIN EN 50110-1 (VDE 0105-1) when working in and on the LCP DX, in order to avoid accidents:

1. Switch off!  
Switch off the LCP DX at the master switch.
2. Prevent reactivation!
3. Ensure that all poles are de-energised!
4. Earth and short-circuit!
5. Cover or shield adjacent, live parts

### 2.2 Service and technical staff

The installation, commissioning, maintenance and repair of this unit may only be carried out by trained, qualified mechanical and electro-technical personnel.

Only properly instructed personnel may service a unit while in operation.

#### 2.2.1 Personal safety equipment

Personal safety equipment is to be worn during any work on this unit when personnel might come into contact with refrigerant and in general for all maintenance work (see section 16.1 "Coolant information"). As a minimum requirement, personal safety equipment is comprised of the following components:

- thermally insulated gloves
- protective goggles
- in the event of fire, airtight respiratory masks must be worn.

### 2.3 Operator requirements

In accordance with EU Regulation 517/2014, the operator must carry out a leak test of the coolant circuit using a suitable test device at least once a year. Any leaks that are detected must be repaired immediately.



Note:

Rittal offers leak testing of the device as a service.

#### 2.3.1 Abbreviated instructions

The operator must ensure that abbreviated instructions containing the following information are available in a readily accessible location on the LCP DX.

1. Name, address and telephone number of the installation company, its customer service department, or the customer service department of the owner/operator, or as a minimum requirement, the individual responsible for the cooling system, together with the address and telephone number of the fire brigade, police, hospitals and burn victims centres.
2. Type of refrigerant: R410A, comprising 50% difluoromethane R32 (CH<sub>2</sub>F<sub>2</sub>) and 50% R125 pentafluoroethane (C<sub>2</sub>HF<sub>5</sub>);
3. Instructions for switching off the cooling system in an emergency (see section 7.2.3 "Switching off in an emergency");
4. The maximum permissible pressures (see section 11 "Technical specifications").

#### 2.3.2 System log

Under DIN EN 378, the operator is required to keep a system log and ensure that it is regularly updated. The system log should contain the following information:

1. Details of all repair work
2. Quantity and type (new, reused or recycled) of refrigerant added, quantity of refrigerant removed
3. Outcome of any analysis of reused refrigerant, if available

## 2 Safety instructions

---

2

4. Origin of reused refrigerant
5. Amendments to and replacement of system components
6. Results of all regular routine checks and
7. Any significant shutdowns.

### 2.3.3 F-gas regulation

Regulation (EC) No. 517/2014 of the European Parliament and of the Council of 16 April 2014 on certain fluorinated greenhouse gases entered into force on 9 June 2014. The Regulation regulates the reduction of emissions, the use, recovery and destruction of certain fluorinated greenhouse gases, and the labelling and disposal of products and equipment containing such gases.

#### **Leak test pursuant to Article 4 (leak checks)**

The leak checks shall be carried out with the following frequency, depending on the CO<sub>2</sub> equivalent quantities of fluorinated greenhouse gases.

- **5 t – 50 t** at 12-month intervals, (or where a leakage detection system is installed, at least every 24 months),
- **50 t – 500 t** at 6-month intervals, (or where a leakage detection system is installed, at least every 12 months),
- **more than 500 t** at 3-month intervals, (or where a leakage detection system is installed, at least every 6 months).

### 2.3.4 Chemicals – Climate Protection Ordinance

This Ordinance applies in addition to the aforementioned Regulation (EC) No. 517/2014 of the European Parliament and of the Council of 16 April 2014.

## 2.4 RoHS compliance

The LCP DX fulfils the requirements of EU Directive 2011/65/EC on the Restriction of Use of Certain Hazardous Substances in Electrical and Electronic Equipment (RoHS) of 1 July 2011.



Note:

Corresponding information about the RoHS Directive may be found on our website at [www.rittal.com/RoHS](http://www.rittal.com/RoHS).

---



## 3 Device description

### 3.1 General functional description

The Liquid Cooling Package DX (DX = Direct Expansion) is essentially a split air conditioning unit used to dissipate high heat losses from server enclosures or for the effective cooling of devices built into a server enclosure.

The air routing in the LCP DX supports the "front to back" cooling principle of the devices built into the server enclosure. The hot air expelled by the devices in the server enclosure is drawn in by the fans at the rear directly from the server enclosure (LCP Rack DX) or from the hot aisle (LCP Inline DX) and thus routed through the heat exchanger module.

In the heat exchanger module, the heated air is directed through a heat exchanger (coolant evaporator), and its thermal energy (heat losses from the server) is transferred to the coolant. This causes the coolant to change from a liquid to a gaseous state. As a result, the air is cooled to a freely selectable temperature within the authorised parameters and then routed directly in front of the 482.6 mm (19") level in the server enclosure (LCP Rack DX) or into the cold aisle (LCP Inline DX).

In its delivered state, cold air from the LCP Inline DX is expelled to the front; it is also possible to expel the cold air on both sides, or by mounting a side panel, at one side of the device.

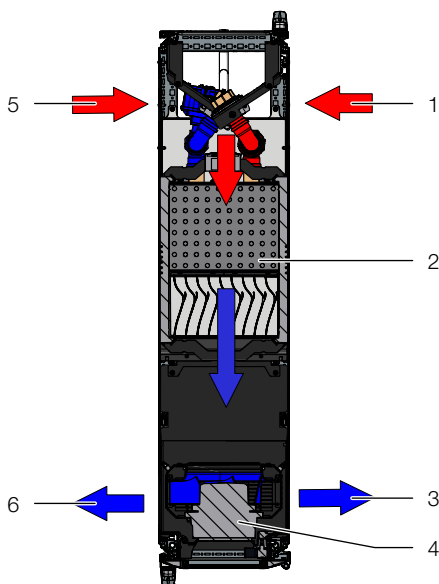


Fig. 1: Air routing on the LCP Rack DX – top view

#### Key

- 1 Air inlet
- 2 Heat exchanger
- 3 Air outlet
- 4 Fan module
- 5 2nd air inlet
- 6 2nd air outlet

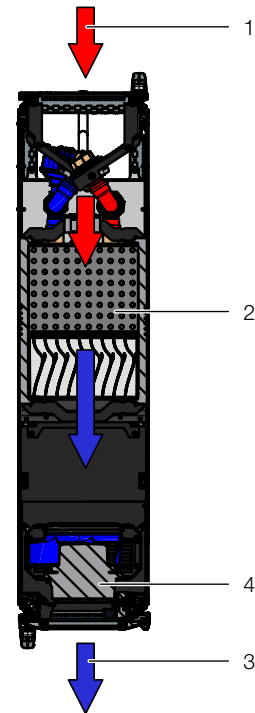


Fig. 2: Air routing on the LCP Inline DX – top view

#### Key

- 1 Air inlet
- 2 Heat exchanger
- 3 Fan module
- 4 Air outlet

The temperature of the impelled cold air is controlled by continuously comparing the actual temperature with the setpoint temperature (preset to +22°C).

If the actual temperature exceeds the setpoint temperature, the speed of the compressor is automatically increased, providing a greater cooling output from the heat exchanger, until the setpoint temperature is reached.

The temperature differential between the setpoint and the warm air intake is used to calculate and control the fan speed.

Any condensate incurred is collected in the condensate collecting tray integrated into the LCP DX below the heat exchanger, and from there is routed outside via a condensate discharge hose.

## 3.2 Air routing

### 3.2.1 General

In order to achieve sufficient cooling in the server enclosure, it is important to ensure that the cooling air passes through the interior of the built-in units and is unable to flow past at the sides.

Targeted air routing inside the server enclosure has a major effect on the heat loss to be dissipated.

# 3 Device description

3

In order to ensure targeted air routing in the system, the server enclosure should be divided vertically into warm air and cold air sections. The division is accomplished in the front section of the server assembly to the left and right of the 482.6 mm (19") level using foam strips or air baffle plates which, depending on the enclosure width and the number of server enclosures to be cooled, can be ordered as an accessory (see section 13 "Accessories").

If devices which require sideways air throughput are also built into the server enclosure (e.g. switches, router, etc.), these may be cooled by means of targeted placement of the foam strips or air baffle plates.

**Note:**  
 The 482.6 mm (19") level must likewise be completely sealed. This is already the case in a fully equipped server enclosure. With a partially configured server enclosure, the open height units (U) of the 482.6 mm (19") level must be sealed with blanking plates, which are available as Rittal accessories (see section 13 "Accessories").  
 The more devices are installed in the server enclosure, the more important it becomes to follow this specification.

### 3.2.2 LCP Rack DX

The LCP Rack DX may optionally be bayed on the right or left of a server enclosure or between two server enclosures, according to preference.

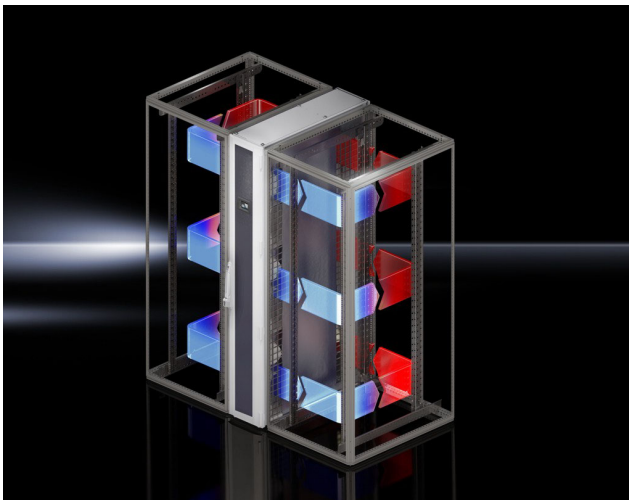


Fig. 3: LCP Rack DX on two server enclosures

Together with the bayed server enclosure, the LCP Rack DX forms an airtight cooling system with horizontal air routing. It places no additional demands on the room's climate control system.

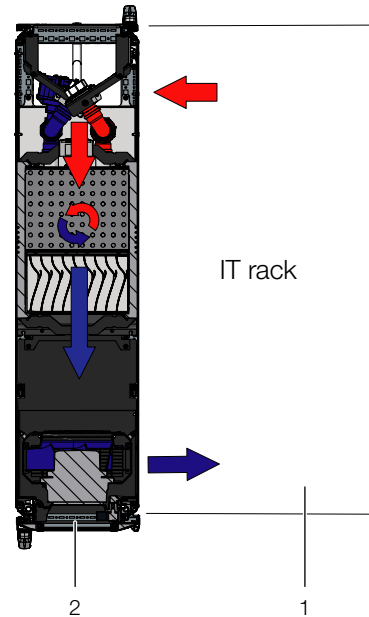


Fig. 4: Air routing with a bayed server enclosure – top view

- Key**
- 1 Server enclosure
  - 2 LCP Rack DX

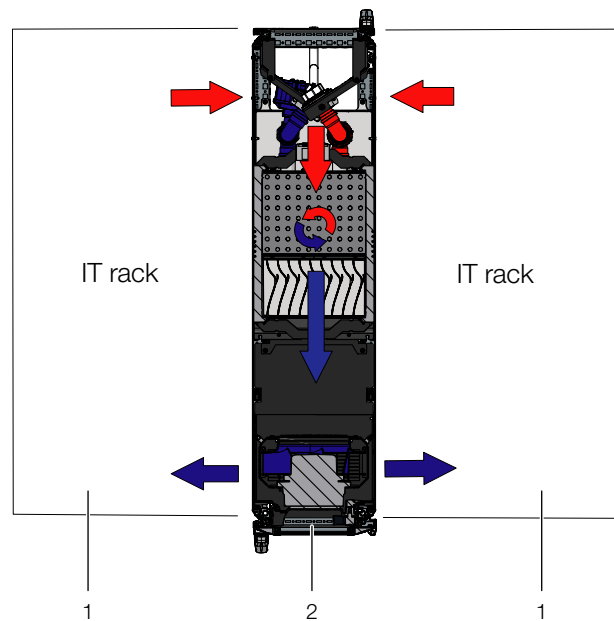


Fig. 5: Air routing with two bayed server enclosures – top view

- Key**
- 1 Server enclosure
  - 2 LCP Rack DX

The system consisting of the LCP Rack DX and the server enclosure should be sealed as effectively as possible in order to prevent the loss of cooling air. To accomplish this, the enclosure is equipped with side panels, roof and gland plates. Any existing cable entries should be sealed e.g. using suitable brush strips.

Whilst the system is in operation, both the front and the rear doors should be kept completely shut.



**Note:**

However, the system does not need to be completely airtight, thanks to the high, coordinated air throughputs of the server and LCP fans.

### 3.2.3 LCP Inline DX

Targeted air routing by hot air extraction from the hot aisle and cold air blown into the cold aisle has a fundamental effect on the amount of heat to be dissipated. In order to achieve sufficient cooling in the server enclosure, it is important to ensure that the cooling air passes through the interior of the built-in units and is unable to flow past at the sides.

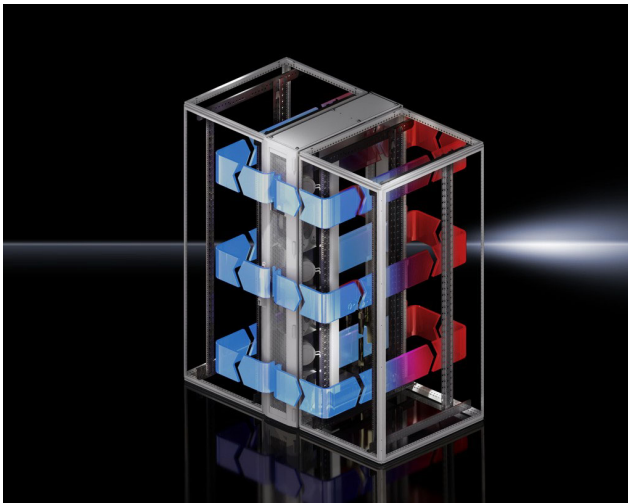


Fig. 6: LCP Inline DX on two server enclosures

For this purpose, the system consisting of LCP Inline DX, server enclosure and cold aisle containment should be well sealed in order to avoid a decrease of the cooling capacity due to mixing of cold and hot air. This is achieved by sealing the cold aisle with doors at the beginning and end of the rack rows, and sealing it at the top with roof elements. Existing cable entry glands are additionally sealed e.g. using suitable brush strips.

## 3.3 Equipment assembly

### 3.3.1 Unit components

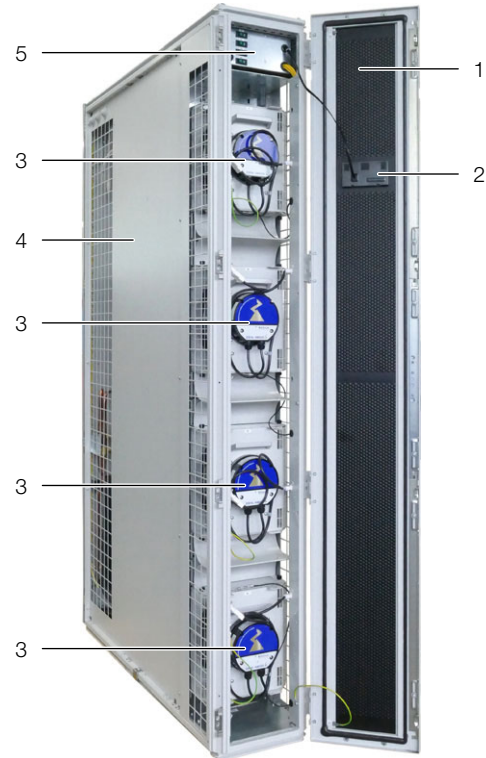


Fig. 7: LCP Rack DX front – open front door

**Key**

- 1 LCP door
- 2 Display
- 3 Fan
- 4 Rack
- 5 Electronics box with switches for fans

The device variants differ as follows at the front:

- LCP Rack DX: Solid front door
- LCP Inline DX: Perforated front door



# 3 Device description

3

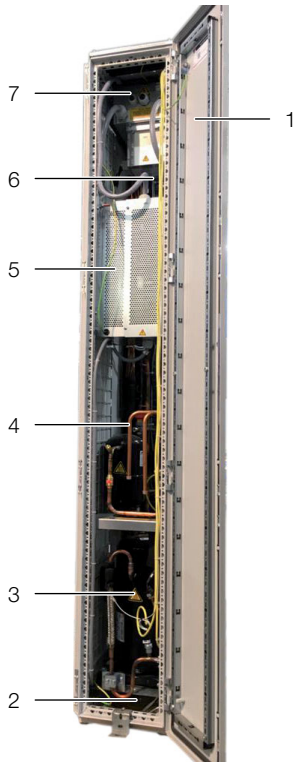


Fig. 8: LCP DX rear – rear door open

**Key**

- 1 Rear door
- 2 Condensate collecting tray
- 3 Compressor
- 4 Connection lines to the external condenser
- 5 Inverter
- 6 Heat exchanger (evaporator coil)
- 7 Electronics box with voltage connection and network connection

The device variants differ as follows at the rear:

- LCP Rack DX: Solid rear door
- LCP Inline DX: Perforated rear door

The LCP DX consists of a solid welded frame in which the evaporator coil, fan modules and compressor are installed.

### 3.3.2 Coolant circuit

The coolant circuit consists of the following components:

- Compressor: The compressor compresses the coolant and causes it to circulate from the low-pressure side (evaporator coil) to the high-pressure side (external condenser). The motor is activated by an external inverter, which controls the speed of the compressor and therefore allows the cooling output to be precisely adapted to the actual cooling requirement.
- Evaporator coil: The evaporator coil (air/coolant heat exchanger) is positioned in the centre of the LCP DX. Any condensate incurred is discharged into a condensate collecting tray in the bottom section of the device.

- Electronic expansion valve: The expansion valve supplies the evaporator coil with the required volume of coolant to provide the corresponding cooling output in the current ambient conditions.
- External condenser: The condenser is sited outdoors from the room where the LCP DX is situated. Connection details for the LCP DX may be found in section 6 "Installation".
- Temperature sensors: There are three temperature sensors installed on the front of the device near the fans. These measure the cold air temperature and forward the readings to the control unit. There are three further temperature sensors installed on the rear of the evaporator coil. These measure the hot air temperature and likewise forward the readings to the control unit.

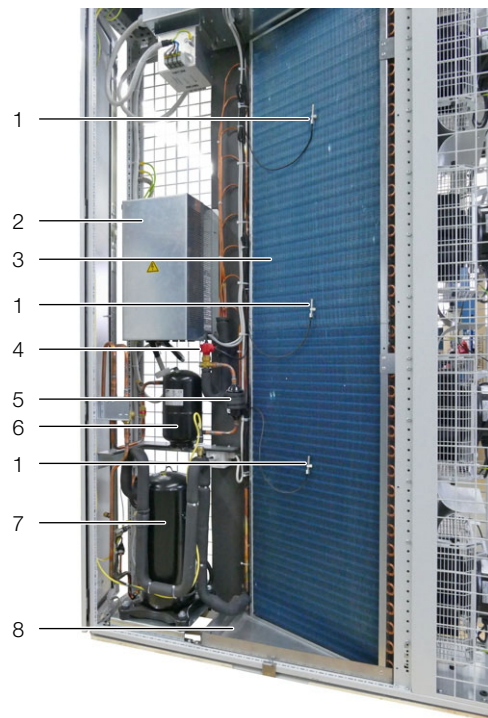


Fig. 9: Coolant circuit

**Key**

- 1 Temperature sensor
- 2 Inverter
- 3 Evaporator coil
- 4 Electronic expansion valve
- 5 Filter dryer
- 6 Compressor
- 7 Refrigerant collector
- 8 Condensate collecting tray

### 3.3.3 External condenser

An external condenser is required in order to operate the device. Only Rittal-supplied condenser units may be used. The following options are available:

- Model No. 3311.363: Standard condenser
- Low-temperature condenser with winter kit module
- High-temperature condenser



### 3.3.4 Fan module



Fig. 10: Fan module in fan tray

**Key**

- 1 Air baffle plate
- 2 DC connection cable (control voltage)
- 3 PE conductor connection
- 4 Fan
- 5 Handle
- 6 AC connection cable (power supply)

A fan module is essentially comprised of the fan itself. All fan modules are controlled via a joint control unit mounted in the electronics box in the upper section of the LCP DX. Fans may be operated with linear control between 30% and 100%.

The fan modules are installed on rack-mounted shelves in the front section of the LCP DX.

It takes approximately 2 minutes to replace a single fan module with the system operational (see section 9.3 "Fan installation").

### 3.4 Proper and improper usage

The LCP DX is used to dissipate high heat losses and effectively cool devices built into a server enclosure. The unit is designed solely for static use in sealed rooms.

The unit is state of the art and built according to recognised safety regulations. Nevertheless, improper use can present a hazard to life and limb of the user or third parties, or result in possible damage to the system and other property.

Consequently, the unit must only be used properly and in a technically sound condition.

Any malfunctions which impair safety should be rectified immediately. Follow the operating instructions!

Proper usage also includes following the operating instructions and fulfilling the inspection and maintenance conditions.

Inappropriate use can be dangerous. Examples of inappropriate use include:

- Using in an environment that does not generate an adequate heat load, for example, due to insufficient installed equipment.
- Using a different condenser unit not supplied by Rittal.
- Use of impermissible tools.
- Improper operation.
- Use of a coolant other than R410A.
- Use of a coolant fill volume other than that specified.
- Installation of the external condenser in an unsuitable position.
- Operation with less than four installed fans.
- Improper rectification of malfunctions.
- Use of replacement parts which are not authorised by Rittal GmbH & Co. KG.
- Non-static use, e.g. on moving or vibrating machines.

### 3.5 Supply scope of a LCP DX

The LCP DX supply includes:

Qty.	Parts
1	LCP DX, ready for connection
	Accessories:
1	Condensate hose
1	Sealing strip

Tab. 1: Supply scope of a LCP DX

# 4 Transportation and handling

## 4 Transportation and handling

### 4.1 Transportation

The LCP DX is delivered shrink-wrapped on a pallet.



**Caution!**

**Because of its height and small base, the LCP DX is subject to tipping. Risk of toppling, especially after the unit is removed from the pallet!**



**Caution!**

**Transport of the LCP DX without a pallet: Use only suitable and technically sound lifting gear and load-bearing devices with sufficient load capacity.**

### 4.2 Unpacking

- Remove the unit's packaging materials.



Note:

After unpacking, the packaging materials must be disposed of in an environmentally friendly way. They are comprised of the following materials:

Wood, polyethylene film (PE film), strap, edge protectors.

- Check the unit for any damage that occurred during transport.



Note:

Damage and other faults, e.g. incomplete delivery, should immediately be reported to the shipping company and to Rittal GmbH & Co. KG in writing.

- Place the unit in its intended location.

## 5 Assembly and siting

### 5.1 General

#### 5.1.1 Installation site requirements

In order to ensure problem-free operation of the LCP DX, the following conditions for the installation site should be observed:

#### Positioning of the LCP DX in the server room relative to the external condenser

The interior device (LCP DX) and the external condenser must be connected with a suitable copper pipe connection in accordance with DIN EN 378-2. The entire system must then be filled with coolant (see section 6.2 "Notes on pipework").

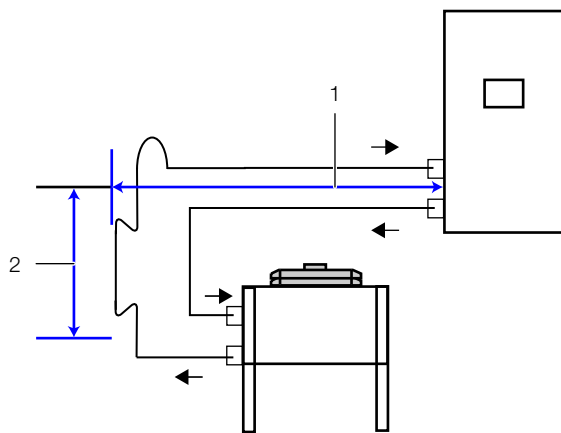


Fig. 11: Relative positioning condenser below the LCP DX

#### Key

- 1 Offset in a side direction
- 2 Condenser offset below the LCP DX

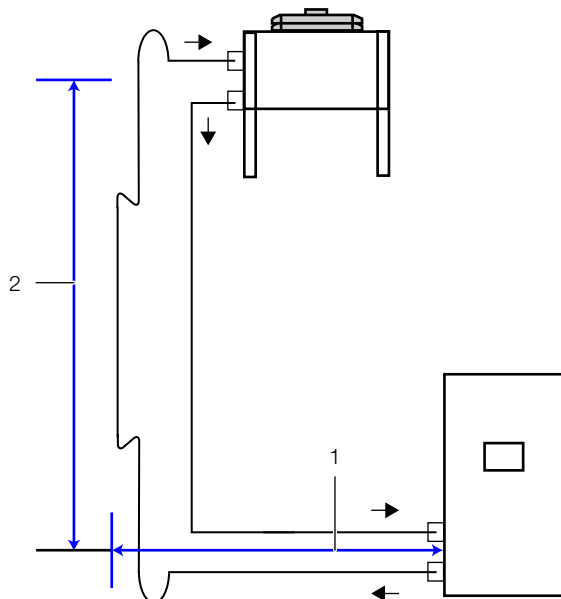


Fig. 12: Relative positioning above the LCP DX

#### Key

- 1 Offset in a side direction
- 2 Condenser offset above the LCP DX

The following distances and geodetic height differences must not be exceeded when installing the LCP DX and the external condenser:

Position	Distance
Sum total of horizontal (fig. 11, item 1) and vertical spacing (fig. 11, item 2 or fig. 12, item 2) between the LCP DX and the condenser	Max. 45 m equivalent length
Condenser above LCP DX (fig. 12, item 2)	max. 20 m
Condenser below LCP DX (fig. 11, item 2)	max. 3 m

Tab. 2: Distances and height differences



#### Note:

When calculating the equivalent length, please also refer to section 6.2 "Notes on pipework".

#### Supply connections required at the installation site

Type of connection	Connection description:
LCP DX standard version power inlet	380...480 V $\pm$ 10 %, 3~, N, PE, 50/60 Hz
Standard external condenser power inlet 3311.363	230 V, 1~, 50/60 Hz, 3.0 A
External diameter of coolant lines	Copper pipework 1 mm wall thickness – equivalent length <b>up to 20 m</b> (LCP DX to outdoor unit): $\varnothing_a=16$ mm (hot gas line)/ 12 mm (liquid line) – equivalent length <b>from 20 m to 45 m</b> (LCP DX to outdoor unit): $\varnothing_a=16$ mm (hot gas line)/ 16 mm (liquid line)

Tab. 3: Supply connections required at the installation site



#### Note:

A voltage of at least 380 V is required to start the device.  
 If the mains voltage briefly drops 10% below 380 V with the system operational, it will not malfunction.



#### Note:

Please also observe the instructions and data relating to the coolant connection as outlined in section 6 "Installation".

# 5 Assembly and siting



**Recommendation:**

For easier servicing of the LCP DX, maintain a distance of at least 1 m between the front and rear of the device and the nearest wall.



**Note:**

All the components needed for cold aisle containment are available from Rittal as accessories.

### Floor conditions

- The floor of the installation space should be rigid and level.
- Choose the installation site so that the unit is not situated on a step or uneven surface, etc.

### Climatic Conditions



**Recommendation:**

Room temperature +22 °C at 50% relative air humidity, according to ASHRAE guidelines. Where necessary, these values should be achieved by an additional room air-conditioning system.

### Electromagnetic interference

- Interfering electrical installations (high frequency) should be avoided.

### Heat loss from the equipment

- The equipment in the server enclosure being cooled must generate a heat loss of at least 5 kW.

### 5.1.2 Prepare the installation room

The installation room must be divided into one cold air zone and one hot air zone. This ensures that no cooling capacity is lost due to mixing of cold and hot air.

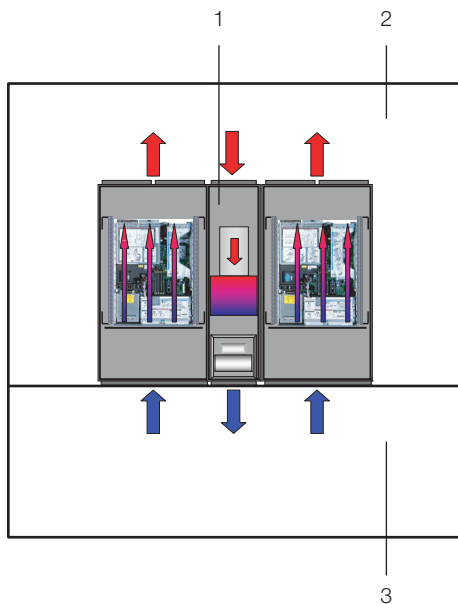


Fig. 13: Installation room with cold aisle containment

**Key**

- 1 LCP DX
- 2 Hot aisle
- 3 Cold aisle

### 5.1.3 Installation guidelines

The positioning in the rack aisles must be considered when planning the layout. The following points are to be considered:

- Heat loss in the adjacent server racks
- Air throughput in the adjacent server racks
- Distances from the adjacent server racks

### Heat losses in the adjacent server racks

If the LCP DX is used in combination with server enclosures with high heat losses, the number of LCP DX units must be adapted according to the characteristic curves. The air temperature difference between server inlet and server outlet, which is determined by the equipment used, is particularly important. As a rule of thumb, a temperature difference of 15 K can be expected. There may, however, be greater differences.

### Air throughput in the adjacent server racks

Due to the containment of the hot and cold zones, it is important to ensure that the LCP DX delivers a sufficient amount of cold air into the cold zone. From there, the cold air is drawn back into the server enclosures by the equipment. A small surplus of air should generally be provided in order to compensate for any short-term demands of the equipment.

### Distances from the adjacent server racks

In small applications and short aisles, the above points will not have a major impact on properties or cooling capacity provided the hot zone is thoroughly and precisely sealed off from the cold zone. For larger applications and long aisles, however, it is important to ensure even spacing of the cooling units, due to the loss of air throughput caused by external pressure losses and convection or radiation heat of the equipment. Other factors, such as high-temperature rooms adjacent to the cold zone or exterior walls warmed by the sun, can also occur.

## 5.2 Assembly procedure

### 5.2.1 General

Before the LCP DX can be bayed onto a server enclosure, the following work should be carried out.

- Dismantle the side panels,
- Seal the server enclosure and
- Dismantle the server enclosure door.



When installing the unit the space required must be taken into account and must not be impaired by components or installations at the installation site.

### 5.2.2 Fit the attenuators

If applicable, attenuators may be fitted underneath the unit for vibration insulation. For this purpose, the entire LCP DX must be lifted up.



**Danger! Injury due to falling loads!**  
**Do not stand under suspended loads when transporting the unit with a hoist trolley, a forklift, or a crane.**



**Caution! Risk of injury!**  
**Attenuators must only be attached to the LCP DX by suitably trained experts.**

- Lift up the LCP DX using appropriate lifting gear with an adequate load capacity.
- Attach the attenuators underneath the unit.
- Slowly and carefully lower the LCP DX onto the attenuators.

### 5.2.3 Dismantle the side panels



**Caution! Risk of injury!**  
**The side panel holders have sharp-edged teeth, which enable earthing of the server enclosure's side panel.**

If there is a side panel or partition mounted on the server enclosure side to which the LCP DX is to be bayed, this must be removed first.

- Loosen and remove the 8 assembly screws found on each side panel of the server enclosure.
- Remove all side panel securing elements from the side of the server enclosure onto which the LCP DX is to be bayed.
- Dismantle both side panel mountings from the upper mounting rail of the server enclosure, using an appropriate lever.
- Loosen and remove the screws on both of the side panel mounting brackets (top and bottom) in the middle of the mounting rail.
- Loosen and remove the screws from the 6 side panel holders on the side mounting rails.

### 5.2.4 Seal the server enclosure



**Caution! Risk of injury!**  
**There is the risk of being cut when foam strips are cut to size. Wear your personal protection equipment!**

In order to ensure targeted air routing in the system, the server enclosure is vertically divided into hot air and cold air zones by sealing the 482.6 mm (19") level.

Proceed as follows to seal the 482.6 mm (19") level:

- If the server enclosure is only partially configured, seal the open sections of the 482.6 mm (19") level using blanking plates. Screw these tightly into the server rack from the front.



Note:

Blanking plates in a range of height units (U), together with both narrow and wide foam strips and air baffle plates, are available as Rittal accessories (see section 13 "Accessories").

- Fasten the wider (Model No. 3301.370 / 3301.320) of the two foam strips from the LCP DX accessories onto one of the front uprights of the server rack from the outside. Make sure to install this strip on the side of the server enclosure onto which the LCP DX is to be bayed.

- **If you are only baying the LCP DX on one side:** Fasten the narrower (Model No. 3301.380 / 3301.390) of the two foam strips from the LCP DX accessories onto one of the front uprights of the server rack from the outside. Make sure to install this strip on the side of the server enclosure which will again be sealed by a side panel.

If the server enclosure contains devices which require cooling via sideways air throughput (e.g. switches, router, etc.), cut-outs must be incorporated into the foam strips.

- To do this, cut out a piece of the foam strip using a sharp knife.
- If several devices which require sideways air throughput are included, cut out several pieces of the foam strip, as is appropriate, so that, ultimately, there is a cut-out in the foam to the left or right at the height of each such device in the server rack. Ensure that there are no gaps on the hot air side of the devices (fig. 14, item 3).
- Using a sharp knife, cut additional pieces from the foam strip that are at least as long as the height of the built-in devices.
- Attach the foam strips to the cold air side of the devices set back towards the rear (fig. 14, item 5), making sure that all fans built into the devices can draw air and that none of them are blocked.



Note:

The foam strips can be attached between the front and rear uprights of the server rack along the entire depth of the devices with sideways air throughput (fig. 14, item 1).

# 5 Assembly and siting

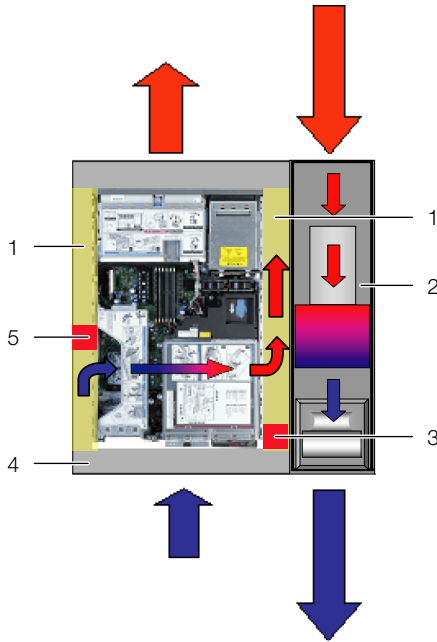


Fig. 14: Placement of foam strips for devices with sideways air throughput (top view)

**Key**

- 1 Area in which the foam strips can be positioned
- 2 LCP DX
- 3 Foam strips on hot air side
- 4 Server enclosure
- 5 Foam strips on cold air side

- If there is any surplus length of the foam strip on the server rack, cut it off at the top edge of the rack.



**Note:**  
The LCP DX may optionally be bayed onto a server enclosure either 600 mm or 800 mm wide. For this reason, the LCP DX accessories include a total of four foam strips or corresponding air baffle plates with differing dimensions (see section 13 "Accessories").

- On the side of the server enclosure opposite the LCP DX, mount a side panel on the two side panel mountings. Align it with the front and rear of the enclosure.
- Using the 8 assembly screws, screw the side panel firmly onto the side panel holders and the side panel mounting brackets.
- Seal off any cable entries which may be present with corresponding brush strips or similar.

**5.2.5 Installation and baying of the LCP DX**

- Position the LCP DX on the side of the server enclosure to which it is to be bayed.
- Align the LCP DX with the server enclosure. Ensure that the LCP DX is aligned horizontally and that both enclosures are adjusted to the same height and are vertically aligned to each other.

- Dismantle the door of the LCP DX whose hinges are on the side on which the server enclosure is to be bayed.



**Note:**  
If the LCP DX is to be bayed between two server enclosures, both doors of the LCP DX must be dismantled before the baying connectors are installed, so that the attachment points for the baying connectors are accessible.

- Using the corresponding assembly screws, fasten two baying connectors each (fig. 15, item 2) onto the attachment points provided in the mounting strips on the front and rear of the LCP DX (fig. 15, item 1).

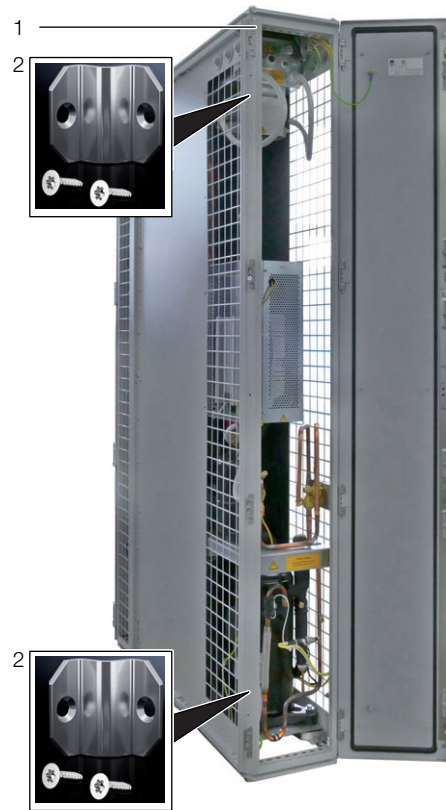


Fig. 15: Rear

**Key**

- 1 LCP DX
- 2 Baying connector

- In the same way, fasten the baying connectors onto the attachment points provided in the mounting strips on the front and rear of the server enclosure. As needed, press the LCP DX lightly against the server enclosure in order to bring the baying points into alignment with the attachment points.

**All device versions:**

- If applicable, attach the rear door to the LCP DX.
- Finally, check the stability of the LCP DX once again.

## 5.2.6 Mounting the side panel

If the LCP DX is not bayed between two server enclosures, close it off with a side panel.



### Caution! Risk of injury!

**The side panel holders have sharp-edged teeth, to enable earthing of the side panel through the LCP DX.**

Proceed as follows to assemble the side panel:

- Remove the various assembly components from the optional side panel package (Model. No. 8100.235) or use those from a server enclosure which has already been dismantled.
- Using the assembly screws, mount the assembly components (2 side panel mountings, 2 side panel mounting brackets, 6 side panel holders) onto the side of the LCP DX which is opposite to the server enclosure.
- Place both side panel mountings as symmetrically as possible onto the upper mounting rail of the LCP DX and, using your hand, press them firmly in place.
- Screw down the two side panel mounting brackets top and bottom in the centre of the mounting rail using one screw each.
- Screw down 3 side panel holders onto each of the two side mounting rails with one screw each.
- Mount a side panel onto the two side panel mountings of the LCP DX and align them to the front and rear of the unit.
- Using the 8 assembly screws, screw the side panel firmly onto the side panel holders and the side panel mounting brackets.

## 5.3 External condenser



### Note:

The following instructions on siting the external condenser apply equally to all condenser types available at Rittal.

The installation site of the external condenser must be selected in such a way as to ensure an adequate supply and distribution of the airflow, even in unfavourable conditions (see section 5.1.1 "Installation site requirements").

To ensure ease of access to the external condenser for servicing purposes, a sufficiently large distance from the surrounding walls must be ensured.

It is also important to ensure that no foreign bodies such as leaves can be drawn into the condenser.

With unprotected siting of the external condenser, it is important to prevent unwanted external air streams through the condenser (e.g. via console installation). Such air streams and other weather factors may alter the control response of the LCP DX.

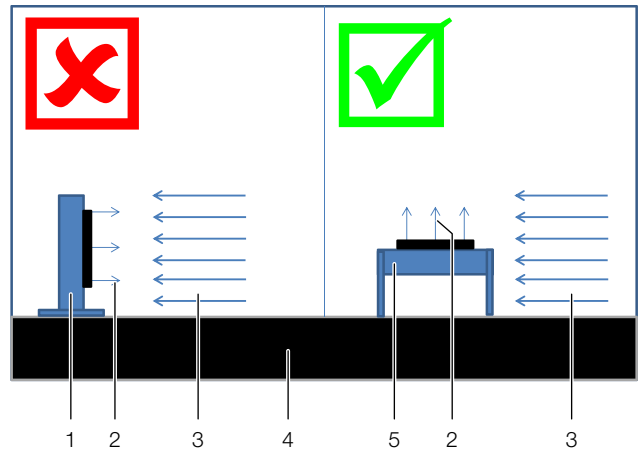


Fig. 16: Air streams with unprotected siting

### Key

- 1 Facade mounting
- 2 Condenser airflow
- 3 External air stream
- 4 Building roof or site floor
- 5 Console installation

The condenser is weather-resistant and may therefore be installed completely in the open air, with no need for a weather protection canopy etc. If the condenser is installed underneath a canopy, there must be a distance of at least 4 m between the floor and the canopy.

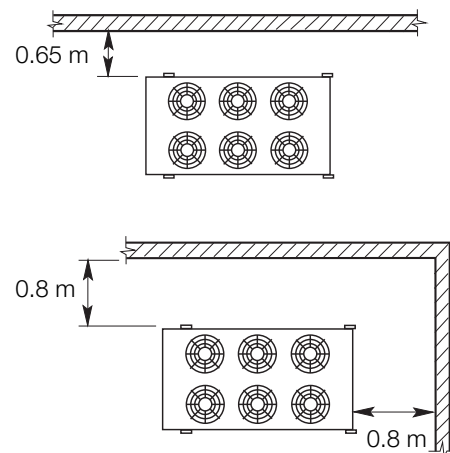


Fig. 17: Minimum distances with vertical mounting.

If the distance is less than 4 m, the condenser must be mounted in such a way that the air outlet is horizontal.

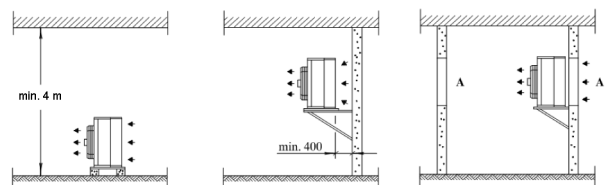


Fig. 18: Installation options with horizontal air outlet



### Note:

Opening "A" must be at least as large as the front of the condenser.

## 5 Assembly and siting

The condenser may be installed either horizontally or vertically using the supports included with the supply of the device.

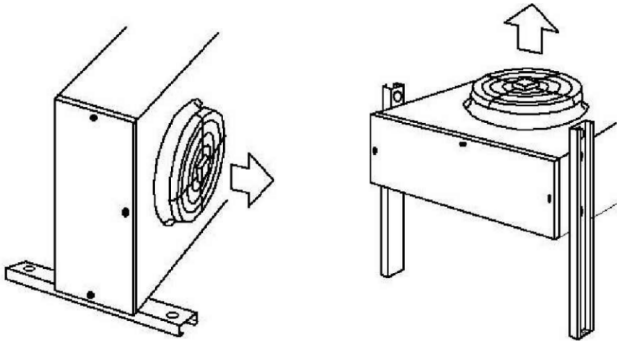


Fig. 19: Horizontal or vertical mounting

5

In the case of vertical mounting (with a horizontal air-flow), the hot gas line must be laid above the liquid line.

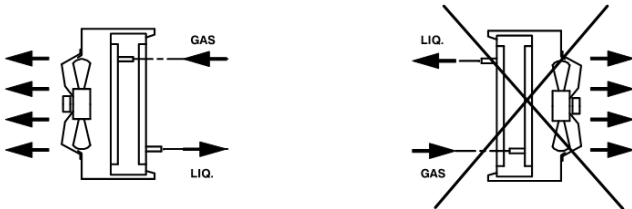


Fig. 20: Laying the hot gas and liquid lines

## 6 Installation



**Caution! Risk of malfunction or damage! Installation, and in particular the coolant line pipework between the external condenser and the LCP DX, must only be carried out by trained, qualified and accredited cooling system specialists.**

### 6.1 General

The interior device LCP DX and the external condenser must be connected with suitable copper pipework. This pipework may either be inserted from above or, if the de-

vice is positioned on a raised floor or on a pedestal, from below into the LCP DX.

Prior to delivery, the LCP DX is filled with 1.5 bar nitrogen. It is therefore crucial that the following steps are always carried out in the order shown.



Note:

Installation of the pipework, creation of a vacuum and filling with coolant must only be carried out by qualified, trained staff in accordance with the valid technical regulations.

Furthermore, when carrying out the installation, it is important to observe all the pipework instructions in section 6.2.

### 6.2 Notes on pipework

The following basic rules should be observed when connecting the LCP DX and external condenser.

**Connection diameter LCP Rack DX/LCP Inline DX 20 kW: 12 mm/12 mm**

Type of condenser	Connection diameter condenser liquid line/hot gas line [mm]	Equivalent length	External diameter of coolant lines liquid line/hot gas line [mm]
Standard	22/22	Up to 20 m	12/16
		20 m to 45 m	16/16
Low temperature	22/22	Up to 20 m	12/16
		20 m to 45 m	16/16
High temperature	28/28	Up to 20 m	12/16
		20 m to 45 m	16/16

Tab. 4: Refrigerant pipes

#### General

- The piping system may be made exclusively of special copper pipes that have been cleansed inside and sealed on both ends. The material of the copper pipework must comply with the specifications outlined in EN 12735-1 / EN 12735-2 and DIN 8964-3.
- The external diameter of the copper pipe must have the dimensions specified in the technical data, both for the hot gas line from the compressor to the condenser, and for the liquid line from the condenser to the expansion valve (see section 11 "Technical specifications"). The copper pipe must be suitable for the therein stated admissible pressure PS of the R410A coolant, see DIN EN 14276-2.

In order to ensure the correct spatial arrangement of the pipework, particular consideration should be given to the position of the individual pipes, the flow conditions (two-phase flow, oil transportation in part-load operation), condensation processes, thermal expansion, vibration, and good accessibility.



Note:

The routing and brackets of the pipework have a significant influence on the operational reliability and service-friendliness of a cooling system.

As a general rule, pipelines should be laid in such a way as to prevent damage associated with routine activities. For safety reasons, and in order to protect the environment, the following aspects should be taken into account when laying pipework:

- There must not be any threat to human safety, i.e. escape and emergency vehicle routes must not be obstructed or restricted in any way. When using refrigerants of groups A2, B1, B2, A3 or B3, no detachable connections or fittings must be positioned in publicly accessible areas. When using other refrigerants, protection against unintentional actuation or disconnection should be provided.


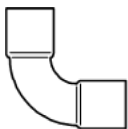
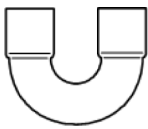

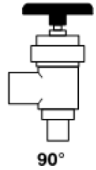
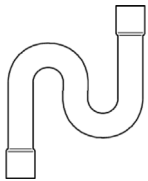
# 6 Installation

6

2. Pipework should be protected from the thermal influence of hot lines and heat sources by means of spatial separation.
3. Soldering, welding and mechanical joints in connection pipes (e.g. in split systems) should be carried out before the fittings are opened, so as to ensure the flow of refrigerant between the plant parts. A valve should be provided to extract air from the connection pipes and/or any part of the cooling system that remains unfilled.
4. Refrigerant lines must be protected or covered to prevent damage.
5. Flexible connecting parts such as connection lines between indoor and outdoor devices that could become displaced during regular work operations must be protected against mechanical damage.
6. The maximum distance between the brackets of the copper pipes is 2 m.

### Laying the pipework

1. The equivalent length of the overall line between the LCP DX and the condenser must not exceed a maximum of 45 m. To calculate the equivalent length, in addition to the actual length of the pipeline, the equivalent length of curves and valves should be taken into account.

		
45°	90°	180°
0.25 m	0.5 m	0.75 m
		
1.90 m	2.10 m	3.0 m

Tab. 5: Equivalent length for external diameter 12 mm

2. The number of curves should be kept to a bare minimum so as to avoid pressure losses. Where curves are unavoidable, the radius chosen should be as large as possible.
3. When planning the piping layout ensure that the lines between the LCP DX and the condenser are as short as possible. Only allow for exceptions to save unnecessary bends.
4. If at all possible, do not conduct refrigerant lines through rooms which are occupied by people, such as offices and meeting rooms.
5. The gas line must be laid with an incline of 1% in the direction of flow of the coolant.

6. A distance of at least 20 mm between the gas and the liquid line should be observed. If this is not possible, both lines should be adequately insulated.
7. When laying out the refrigerant lines, be sure no sag is created in which oil may collect; install oil traps if necessary.
8. Provide one elevation arc at least every 6 m of line length.

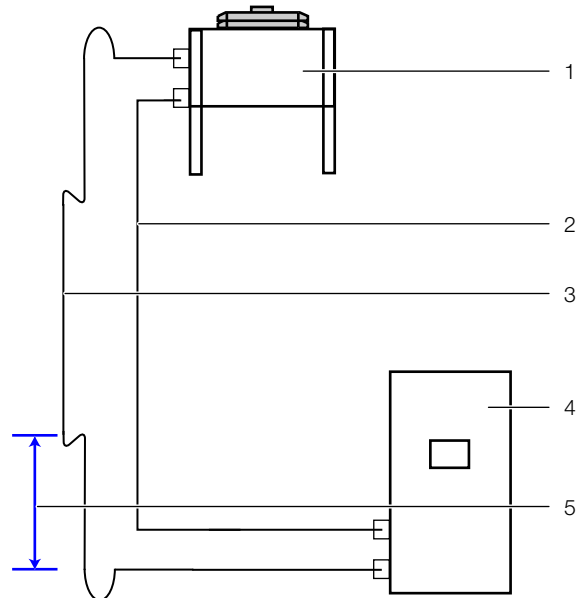


Fig. 21: Oil elevation arc

### Key

- 1 External condenser
- 2 Liquid line
- 3 Hot gas line
- 4 LCP DX
- 5 Spacing max. 6 m

### Sample calculation of overall length

Calculating the overall length of the pipeline is explained using the following diagram.

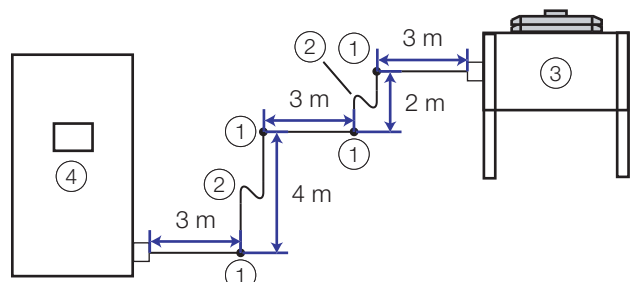


Fig. 22: Simplified representation of connection lines

### Key

- 1 Curves 90° (4 x)
- 2 Oil elevation arc (2 x)
- 3 External condenser
- 4 LCP DX

The **overall length** of the pipeline is comprised of the **actual** length of the pipeline and the **equivalent** length of the installed moulded parts. The equivalent length makes allowance for pressure loss from moulded parts



such as curves and valves. The overall length calculated in this way must not exceed the maximum admissible length of the pipeline.

The actual length of the pipeline is derived by adding together the line sections (see fig. 22):

$$3 \text{ m} + 2 \text{ m} + 3 \text{ m} + 4 \text{ m} + 3 \text{ m} = 15 \text{ m}$$

The equivalent length is calculated from the built-in moulded parts and the relevant values from table 5:

- 90° curve: Equivalent length "0.5 m"
- Oil elevation arc: Equivalent length "3.0 m"

In this example, there are four 90° curves and two oil elevation arcs installed. This produces the following equivalent length for all moulded parts:

$$4 \times 0,5 \text{ m} + 2 \times 3,0 \text{ m} = 8,0 \text{ m}$$

The overall length is obtained by adding together the actual length and the equivalent length.

$$15,0 \text{ m} + 8,0 \text{ m} = 23,0 \text{ m}$$

In this example, therefore, the calculated overall length is less than the maximum admissible pipeline length, and the installation can therefore be carried out in this form.

### Sample calculation of coolant quantity

Only the **actual** length of the pipeline is included in the calculation of required coolant quantity. The number and type of installed moulded parts has **no** influence on the quantity of coolant.

The quantity of coolant for the entire system, including 5.0 pipeline length, is 5.0 kg. 0.05 kg of coolant must be added for each additional metre of pipeline above and beyond the 5.0 m already taken into account. Based on the above example, this therefore produces the following calculation.

- Actual pipeline length 15.0 m
- Additional pipeline length to be taken into account:  
15.0 m – 5.0 m = 10.0 m
- Additional quantity of coolant for 10.0 m: 10 x 0.05 kg = 0.5 kg
- Quantity of coolant for 15.0 m: 5.0 kg + 0.5 kg = 5.5 kg

### Protecting the pipework

1. Suitable precautions should be taken to prevent excessive vibrations or pulsations. In particular, care should be taken to prevent the direct transmission of noise or vibrations onto or through the supporting structure and the connected devices.



#### Note:

Vibrations and pulsations should be assessed with the system operational at maximum condensation temperature and when switching the system on and off, which has unfavourable impacts on the pipework.

2. Safety devices, pipework and fittings should be protected from unfavourable environmental influences as far as possible. Due consideration should be given to unfavourable environmental influences, such as the risk of water collecting, freezing of relief lines or the accumulation of dirt and waste.
3. With long pipelines, adequate precautions should be taken with regard to expansion and contraction.
4. The pipelines of cooling systems should be designed and laid in such a way that the system cannot be damaged by liquid slugging (hydraulic shock).
5. Pipelines with detachable connections must not be positioned in public thoroughfares, vestibules, stairwells, steps, entrances, exits or in ducts or shafts with unsecured openings to such areas, unless protected against disconnection.
6. Pipelines without detachable connections, valves, control and regulatory devices that are protected against accidental damage may be positioned in public thoroughfares, stairwells or vestibules, provided they are situated at least 2.2 m above the ground.

### Pipe brackets

1. Both horizontal and vertical lines must be laid with vibration-damping elements (such as rubber seals). These must be used at a spacing of at least 2 m.
2. The first pipe bracket downstream of the LCP DX and upstream of the condenser should be elastic. Pipe brackets must not be too close to bends, to allow elongation of lines.

### Installing the piping

1. To connect the refrigerant piping system open the line ends on the LCP DX and the condenser. Upon opening, gas must escape audibly (ex works nitrogen filling); this is evidence that there are no leakages in the refrigerating circuit.
2. Cut lines only using a pipe cutting device!
3. Never saw lines open, to prevent generation of sawing swarf!
4. Only solder lines while using nitrogen as a protective gas! To achieve this, introduce dry nitrogen on one end of the line already prepared. Before starting soldering, introduce a generous nitrogen flow, when starting soldering reduce it to a minimum and maintain this low protective gas flow during the entire soldering process.

## 6 Installation

5. Before soldering the last connection, open one screwed union, to prevent overpressure in the piping system. Upon soldering retighten the connection!
6. As an alternative to soldering you may use crimping. However, limit crimped connections to annealed pipes with a diameter of max. 20 mm! After cutting the pipes, slightly open the pipe to the correct inside diameter. The crimps must be tightened to the correct torque using a torque wrench.

### Low-temperature insulation of the liquid lines

1. Liquid cooling outside of the building with low-temperature insulation to DIN 4140 made from UV-resistant HT/Armaflex or an equivalent material.
2. A wall thickness of 9 mm is recommended.

### Low-temperature insulation of the hot-gas line

1. The gas line must be insulated indoors (contact hazard protection).

### Leak test / conducting the leak test

The system must undergo leak testing as a complete system. Following completion of the system, the test should be carried out at the site of installation.

Multiple techniques may be used to test for leaks, depending on the manufacturing conditions, such as pressurisation with inert gas, or leak detection using radioactive gas. In order to avoid emissions of hazardous substances, the pressure test may be carried out with inert gas such as nitrogen, helium or carbon dioxide. Oxy-acetylene and hydrocarbons must not be used for safety reasons. Air and gas mixtures are to be avoided, since certain mixtures may be hazardous.

A vacuum technique may be used for a rough indication of leaks. In order to ensure proper functioning of the cooling system, the manufacturer must specify suitable criteria for the vacuum technique.

The manufacturer must select a test method which allows suitable results to be achieved in accordance with the requirements outlined below.

Connections must be checked with a detector or using a technique with a detection sensitivity as described in EN 1779 with a bubble test (application of liquid) if the test pressure is 1 x PS.



#### Note:

Lower test pressures are admissible, provided there is an equivalent detection sensitivity.

The manufacturer must verify that the test method used complies with the aforementioned requirements.

EN 1779:1999 may be used as a basis for this test.

The detector must be calibrated at regular intervals as per the manufacturer's instructions.

Any leak detected must be repaired and subjected to a further leak test.

1. Systems with dry nitrogen should be tested at an overpressure of at least 28 bar. The Rotalock valves on the intake and pressure sides of the compressors must be closed. This ensures the compressor is not subjected to the test pressure.
2. Check the system for tightness. We recommend to inspect all connections for tightness, including screwed joints, by spraying with Nekal spray.

### Evacuating

1. Upon successful pressure testing, the air still remaining in the system must be removed. To do so, connect a vacuum pump and evacuate the system to a pressure of <0.3 mbar (absolute pressure).
2. If at all possible evacuate from both ends of the compressor, that is from the intake and the pressure side.
3. Fill the system with dry nitrogen and repeat the evacuation. This removes air and remaining moisture from the system.

### Filling with refrigerant, cooling system in a vacuum

1. The system must only be filled gravimetrically (i.e. by weight) using refrigerant as the liquid in the liquid line. Fill liquid R410A only until the fill quantity corresponds as precisely as possible to the maximum fill weight as per the rating plate. Thereafter switch the unit on and, while it runs, continue filling carefully and slowly from the intake side of the compressor, until no more bubbles are visible at the sight glass. The maximum fill weight as per the rating plate must not be exceeded.
2. Note the refrigerant volume filled in on the rating plate.
3. Refrigerant filling volumes for unit and condenser see technical data. Determine the refrigerant filling volume for the piping system from the individual lengths and interior diameters of the refrigerant lines.
4. The weight of the refrigerant volume actually filled in is determined during filling by means of a refrigerant bottle.

### 6.3 Connecting the condensate discharge

Any condensate which may develop is collected in the condensate collecting tray (fig. 9, item 8) beneath the heat exchanger.



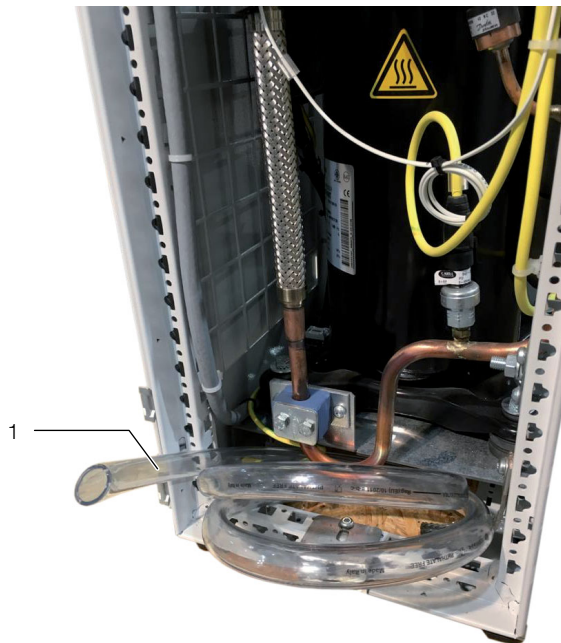


Fig. 23: Condensate discharge

#### Key

- 1 Condensate discharge hose

The LCP DX is additionally equipped with a condensate discharge (fig. 23) via which the condensate is pressurelessly routed out of the LCP DX.

A hose ( $\varnothing_i = 16$  mm, length = 2 m) is connected to the condensate discharge in the factory. This hose, in turn, must be routed to a drain with odour seal by the customer, so that any condensate can be discharged from the device.



#### Note:

In order to ensure safe condensate discharge, the following points should be observed:

- Lay the drainage hose so that it always runs downhill and without any kinks.
- Do not constrict the hose cross section.

## 6.4 Electrical connection

### 6.4.1 General



#### Note:

Please keep the wiring plan readily available so that it is always on hand when needed. This is the only authoritative documentation for this unit.



#### Caution!

Work on electrical systems or equipment may only be carried out by an electrician or by trained personnel under the guidance and supervision of an electrician. All work must be carried out in accordance with electrical engineering regulations.

Contact with live electrical parts may be lethal.

The unit may only be connected after the personnel mentioned above have read this information!

Use only insulated tools.

The connection regulations of the appropriate electrical power company are to be followed.

The voltage values shown in the wiring plan or on the rating plate must match the mains voltage.

The pre-fuse specified in the wiring plan / rating plate should be provided to protect the cable and equipment from short-circuits. The unit must be individually fused.

The unit has a high discharge current. Before connecting to the supply circuit, therefore, it is essential to make a 6 mm<sup>2</sup> earth connection (see section 16.4 "Circuit diagram").

The unit must be connected to the mains using an all-pole red/yellow isolating device as described in DIN EN 60204-1, section 5.3, which ensures at least 3 mm contact opening when switched off.

No additional control equipment may be connected upstream of the device at the supply end.

Before operating on the electrical panel please wait a few minutes.

The LCP DX and the external condenser are supplied with voltage independently of one another.

# 6 Installation

## 6.4.2 Connecting the LCP DX

Power is supplied to the LCP DX via a 5-wire connection cable (380...415 V, 3~, N, PE). The cable may either be inserted into the device from above via a brush strip, or alternatively, if the device is operated in a room with a raised floor, from below.

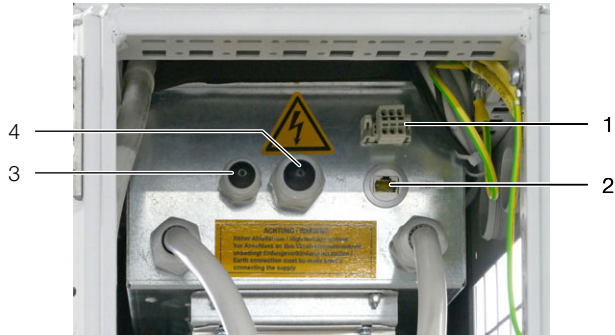


Fig. 24: Electronics box – rear

### Key

- 1 Master-slave connection
- 2 Network connection
- 3 Cable gland, collective fault signal
- 4 Cable gland, power supply

Inside the device, the cable is routed into the electronics box via the large cable gland in the centre (fig. 24, item 4). It is connected to the appropriately labelled terminals (PE, L1, L2, L3, N) in the electronics box.

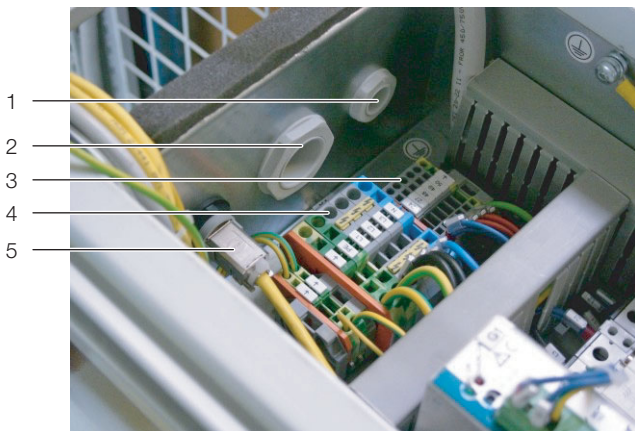


Fig. 25: Connection terminals in the electronics box

### Key

- 1 Cable gland, collective fault signal
- 2 Cable gland, power supply
- 3 Terminals 24 and 27 (jumped), floating
- 4 Terminals for connection cable
- 5 Network connection

- Remove approximately 45 mm from the rubber sheathing of the flexible cable.
- Trim the neutral conductor (N) and the three phase conductors (L1, L2, and L3) to a length of approximately 35 mm. Leave the length of the PE conductor at approximately 45 mm.
- Remove approximately 9 mm from the insulation of all conductors with a suitable tool.

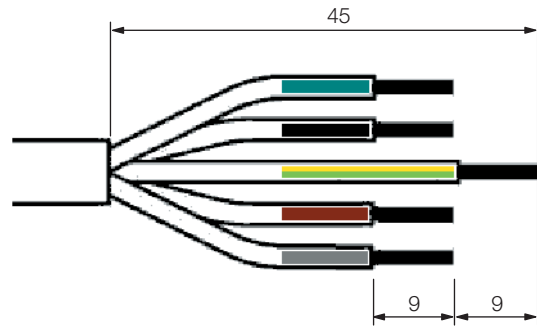


Fig. 26: Dimensions for removing the rubber sheathing and insulation

- Attach wire end ferrules without insulating collar to the ends of the cables, using a four-jaw pressing tool.



### Note:

A voltage of at least 380 V is required to start the device.  
If the mains voltage briefly drops 10% below 380 V with the system operational, it will not malfunction.

- Connect the LCP DX using an all-pole isolating device as described in DIN EN 60204-1, section 5.3. This isolating device must ensure at least 3 mm contact opening when switched off.
- The customer should provide a pre-fuse in the supply line to the LCP DX, as specified on the rating plate of the device.



### Danger!

**Take utmost care not to short-circuit one of the phases with the zero conductor or the earth conductor. Otherwise, there is a risk of damage or injury.**

## 6.4.3 Connecting the external condenser

Connecting the external condenser entails simply plugging it into the external power supply. Internally, the condenser is fully wired, and no connection is needed between the LCP DX and the external condenser (via a data cable etc.). The fan speed of the condenser is controlled via the system pressure.



Fig. 27: Pressure switch on the condenser

**Key**

- 1 Condenser
- 2 Pressure switch

Power is supplied to the external condenser via a 3-wire connection cable (230 V, 1~, N, PE). The 3-wire cable must be inserted into the main switch box of the external condenser from above. The main switch is wired to the fan control in the factory, and the pressure transducer is mechanically and electrically connected to the condenser.

Once the power supply is connected to the master switch:

- Rotate the master switch into the "I" position.  
The fans will start up as soon as the LCP DX is switched on.

**6.5 Checking the entire system prior to commissioning**

Before operating the cooling system, the entire system, including the complete cooling system, must be checked for conformity with the relevant diagrams, flow charts and piping and instrumentation diagrams of the system and wiring plans.

Cooling systems must be checked by a trained plant inspector (as defined in EN 13313) and should include a review of the following points:

1. Inspect the documents.
2. Check the safety switchgear for pressure limiting. In this connection, it is important to check that the safety switchgear for pressure limiting is operational and correctly installed.
3. Check selected hard solder connections on pipe-work for compliance with EN 14276-2.
4. Check the refrigerant pipelines.
5. Inspect the report on the cooling system leak test.
6. Visually inspect the cooling system.
7. Check the labels.

This inspection must be documented; see EN 378-2, section 6.4.3. No cooling system may be operated without the correct documentation.

The installer must document the fact that the system was installed in accordance with the construction requirements and state the safety and control device settings, if adjustable, following commissioning. This documentation must be kept by the installer and presented upon request.

# 7 Operation

## 7 Operation

This section describes operation of the LCP DX using the control and display devices directly on the unit itself. Using the built-in pCO Web card, it is also possible to access the unit via a network connection (see section 7.13 "Configure the pCO Web card" and section 14 "SNMP card").

### 7.1 Control and display components



Fig. 28: Control and display components

#### Key

- 1 Display
- 2 "Up" button
- 3 "Return" button
- 4 "Down" button
- 5 "Esc" button
- 6 "Prg" button
- 7 "Alarm" button

### 7.2 Switching the LCP DX on and off

#### 7.2.1 Switching on the LCP DX and the external condenser

Once both the LCP DX and the condenser are electrically connected and switched on at their respective master switches, carry out the following two steps:

- If you wish to switch the LCP DX on and off remotely: In the electronics box, remove the jumper between the two terminals 24 and 27 ("Remote On-Off") and connect a floating remote switch (normally open contact) (fig. 25, item 3). If the two terminals are not jumpered, the status message "Din-Off" will appear in the display.
- Change the status of the device in the "On/Off Unit" menu from "Off" to "On" (see section 7.6 "Menu level A "On/Off Unit"").

#### 7.2.2 Switching off the LCP DX and the external condenser

To switch off the LCP DX and the condenser, proceed as follows:

- Change the status of the device in the "On/Off Unit" menu from "On" to "Off" (see section 7.6 "Menu level A "On/Off Unit"").
- Switch off the LCP DX and the condenser at their respective master switches.

#### 7.2.3 Switching off in an emergency

To switch off the LCP DX and the condenser, proceed as follows:

- Switch off the LCP DX and the condenser at their respective master switches.

### 7.3 Layout of the user interface

The user interface is divided into eight menu levels. This level and, where applicable, the level below is displayed in the top right of every menu.

- Level A: Switch the device on and off
- Level B: Enter settings
- Level C: Set time and date
- Level D: View the status of inputs and outputs
- Level E: View and confirm error messages
- Level F: Replace the motherboard
- Level G: Edit basic settings (service)
- Level H: Edit basic settings (manufacturer)

### 7.4 General operating instructions

You can use the buttons on the command panel to move between the different menu levels and menus and change parameter settings.

#### 7.4.1 Moving between menus

- Press the "Prg" button to move from the start screen to the main menu.
- Press the "Up" or "Down" button to select the entries (sub-menus) in a menu.
- Press the "Return" button to move to the selected sub-menu.
- Press the "Esc" button to move from a sub-menu to the menu above.

#### 7.4.2 Changing parameter values

- Press the "Up" or "Down" button to select the entries (parameters) in a menu.
- Press the "Return" button to change the selected parameter value.
- Press the "Up" button to increase the parameter value, and the "Down" button to reduce the parameter value.
- Press the "Return" button to confirm the amended parameter value.
- Press the "Esc" button to move to the menu above.

### 7.5 Start screen

Current basic parameters are displayed on the start screen whilst the device is operational.



Fig. 29: Start screen

### Key

- 1 Air inlet temperature
- 2 Air outlet temperature
- 3 Status of LCP DX
- 4 Status of fan speed
- 5 Status of compressor
- 6 Time and date

## 7.6 Menu level A "On/Off Unit"

Use this menu to switch the device on and off.

- Press the "Prg" button to move from the start screen to the main menu.
- Press the "Up" or "Down" button to select the entry "A. On/Off Menu".
- Press the "Return" button to move to the selected sub-menu.

### 7.6.1 Menu A01

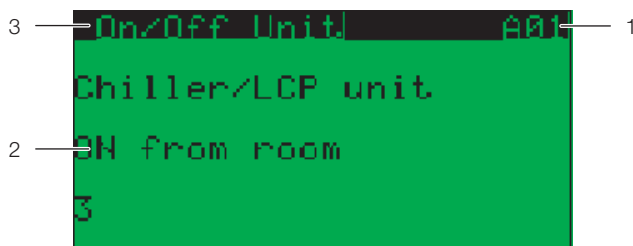


Fig. 30: Menu A01

### Key

- 1 Menu level A01
- 2 Parameter "ON/OFF"
- 3 Menu "On/Off Unit"

#### To switch on the device:

- Press the "Down" button to select the "OFF" entry.
- Press the "Return" button to edit the selected parameter value.
- Press the "Up" or "Down" button to change the parameter value to "ON".
- Press the "Return" button to confirm the amended parameter value.  
The device is now switched on.
- Press the "Esc" button to move back to the start screen.

#### To switch off the device:

- Press the "Down" button to select the "ON" entry.
- Press the "Return" button to edit the selected parameter value.

- Press the "Up" or "Down" button to change the parameter value to "OFF".
- Press the "Return" button to confirm the amended parameter value.  
The device is now switched off.
- Press the "Esc" button to move back to the start screen.

### 7.6.2 Menu A02

A sleep mode may be activated in menu A02. As the LCP DX adapts to the required cooling output in any case, settings are not generally required here.

## 7.7 Menu level B "Setpoint"

### 7.7.1 Menu B01

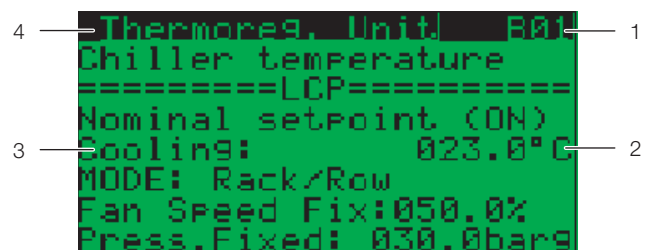


Fig. 31: "Setpoint" menu

### Key

- 1 Menu level B01
- 2 Current setting
- 3 "Cooling" parameter
- 4 "Thermo-reg. unit" menu

Parameter	Explanation
Cooling	Current setting for setpoint temperature.
MODE	Operating mode of device.
Fan Speed Fix	Set a fixed fan speed.

Tab. 6: Settings in menu B01

### 7.7.2 Menu B02

Parameter	Explanation
Enable Alarm	Activate an alarm when the limits specified below are exceeded.
Setpoint Diff.	Difference between the actual temperature and the setpoint temperature.
Setpoint ABS	Absolute maximum temperature.
Hysteresis	If both the above limits are exceeded, an alarm is output immediately. The alarm stops when the respective limit is undercut by the value specified here.
Delay Alarm	Time delay by which the alarm is output.

Tab. 7: Settings in menu B02



# 7 Operation

## 7.8 Menu level C "Clock/Scheduler"

### 7.8.1 Menu C01

Set the current time and date in menu C01.

- Press the "Return" button, and the numerical display for the day will start to flash.
- Press the "Up" or "Down" button to change the value for the day.
- Press the "Return" button to move to the entry for the month.
- Again, press the "Up" or "Down" button to change the value for the month.
- Proceed in the same way to set the year, hours and minutes. The display of the week day will change automatically according to the set date.

Parameter	Explanation
Day	Displays the day of the week.
Date	Today's date in the format dd/mm/yy.
Hour	Current time.

Tab. 8: Settings in menu C01

### 7.8.2 Menu C02 – C04

In menus C02 to C04 it is possible to switch off the device on certain days (such as public holidays) or for a specified period (e.g. factory shutdown). As the LCP DX adapts to the required cooling output in any case, settings are not generally required here.

### 7.8.3 Menu C05

Settings for the changeover to summertime may be made in menu C05.

Parameter	Explanation
DST	Activate or deactivate the changeover to summertime.
Transition time	No. of minutes by which the clock is set forward or back.
Start	Start of changeover to summertime (e.g. "last Sunday in March at 2.00 am").
End	End of changeover to summertime (e.g. "last Sunday in October at 3.00 am").

Tab. 9: Settings in menu C05

## 7.9 Menu level D "Input/Output"

The current values of the digital and analog inputs and outputs are displayed in menu level D. We have not included a detailed representation of all parameters, since these displays are not required in normal operation.

### 7.9.1 Menu D01 – D06

The current values of the analog inputs are displayed in menus D01 to D06.

### 7.9.2 Menu D07 – D12

The current values of the digital inputs are displayed in menus D07 to D12.

### 7.9.3 Menu D13

The current values of the analog outputs are displayed in menu D13.

### 7.9.4 Menu D14

The following parameters of the electronic expansion valve are displayed in an overview screen in menu D14.

- Superheat
- Degree of opening of the valve in %
- Evaporation pressure
- Evaporation temperature



Fig. 32: Menu D14

### 7.9.5 Input/output menu

Other parameters of inputs and outputs are displayed in the input/output menu. The following parameters showing the compressor's current consumption levels can be viewed here.

Parameter	Explanation
Motor current	Current power consumption of the compressor motor [109].
Motor voltage	Current voltage of the compressor motor [111].

Tab. 10: Displays in the Power+ n°1 menu (3/6)

Parameter	Explanation
Motor power	Current output of the compressor motor [110].

Tab. 11: Displays in the Power+ n°1 menu (4/6)

## 7.10 Menu level E "Data logger"

### 7.10.1 Menu E01

Error messages are displayed in menu E01 and in the following menus E02, E03 etc. (see section 8.1 "General").

### 7.11 Menu level F "Board switch"

The pLAN device addresses of the display and the motherboard are displayed in menu F01. This may be

helpful following an exchange of the respective hardware component.

Parameter	Explanation
Unit address	pLAN device address of display and motherboard

Tab. 12: Displays in menu F01

## 7.12 Menu level G "Service"

### 7.12.1 Menu Ga "Change language"

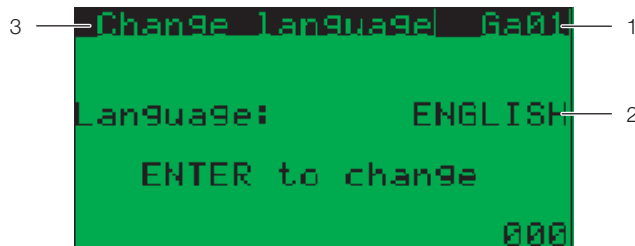


Fig. 33: Menu A01

#### Key

- 1 Menu level Ga01
- 2 Currently selected language
- 3 Menu "Change language"

- Keep pressing the "Return" button until your preferred language is selected.

Parameter	Explanation
Disable language mask at start-up	Activate or deactivate language selection when the device is booted up.
Show mask time	Period for which the language selection is displayed.

Tab. 13: Settings in menu Ga02

### 7.12.2 Menu Gb "Information"

Information on the individual software and hardware components is displayed in menus Gb01 to Gb05.

### 7.12.3 Menu Gd "Working hours"

The operating hours of the device as a whole and its individual components are displayed in menu Gd01 and Gd02.

## 7.13 Configure the pCO Web card

The pCO Web card has a Web server with pages on how to configure the card. All the main modern browsers are supported (Google Chrome, Microsoft Internet Explorer, Mozilla Firefox).

### 7.13.1 Activate the factory bootswitch parameters

The pCO Web card is configured as standard as a DHCP client. If DHCP is not used in your network, you can set the card to a fixed IP address by activating the bootswitch parameters. Activation is achieved by pressing the Reset button when booting up the card.



#### Danger! Electric shock!

Contact with live electrical parts can be lethal.

The following work must only be carried out by suitably trained, qualified personnel.

- Switch on the LCP DX at the master switch.  
The pCO Web card is installed on main board of the LCP DX, present in the electrical panel.

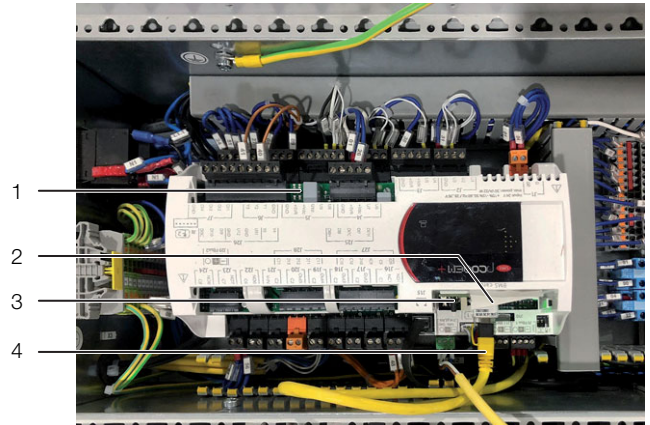


Fig. 34: pCO Web card

#### Key

- 1 Controller
- 2 pCO Web card
- 3 Reset button
- 4 Ethernet cable

- Press the Reset button (fig. 34, item 3), if necessary with the assistance of a second person, and keep it held down for around 20 seconds whilst the card is booting up, until the status LED flashes three times slowly.



#### Caution! Risk of injury and risk of malfunction or damage!

When carrying out a reset on the pCO Web card, please be careful not to touch any other electronic components.

- Release the Reset button whilst the status LED is flashing.  
After a further 50 seconds or so, the card can be accessed under the IP address 172.16.0.1.
- Finally, replace the roof plate onto the LCP DX and secure it with the two screws.

### 7.13.2 Logging on to the pCO Web card

- If DHCP is used in your network: Notify your network administrator of the pCO Web card's MAC address, then request the card's IP address from him/her.  
The MAC address can be found on a sticker on the Ethernet socket of the pCO Web card.

# 7 Operation

- If DHCP is not used in your network: Activate the bootswitch parameters (see section 7.13.1 "Activate the factory bootswitch parameters").
- Open the browser and enter the IP address of the pCO Web card in the address line, together with the suffix "/config".  
Example of a static IP address:  
`http://172.16.0.1/config`  
The following dialogue will appear for logging on to the Web server.

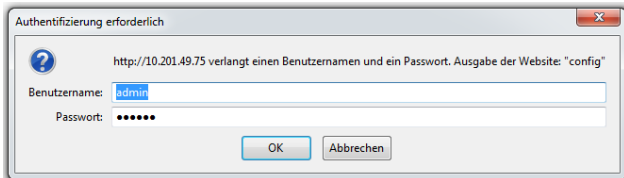


Fig. 35: Authentication on the pCO Web card

- Enter **admin** as the user and **fadmin** as the password.

Once you have successfully logged in, the homepage of the pCO Web card will launch.



Fig. 36: Homepage of the pCO Web card



**Caution! Risk of malfunction or damage!**  
**Double-clicking on a variable will open the variables window.**

**Every variable represented by the pCO Web controller can be edited, provided you have write permission. Editing these variables could result in an LCP DX malfunction. See section 7.13.5 "LCP DX supervisory table", tables 14, 15 and 16, and use this lists to check the meaning of the variables and their minimum and maximum values.**

### 7.13.3 Configure the network interface

Network settings are made under the menu point **Configuration > Network**. Here, you can assign an IP address and up to three aliases to the network interface. The aliases do not have their own gateway address.

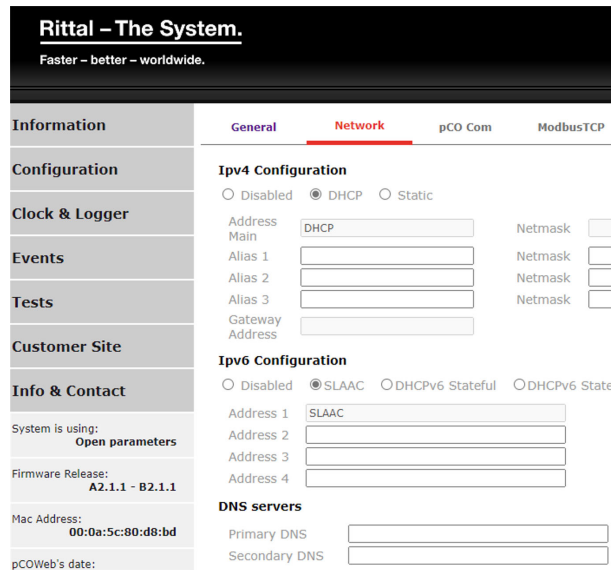


Fig. 37: Network configuration

- Enter the fixed IP address via which you wish to access the network interface under **IPv4 Configuration** in the **Address Main** field.
- To do this, activate the option "Static" first.
- In order to activate **DHCP** in the actual version, click the button "DHCP".
- If applicable, enter the corresponding alias addresses in the **Alias 1**, **Alias 2** and **Alias 3** fields.
- Transfer these changes to the controller by clicking on the **Submit** button.
- Reboot to activate the changes.

### 7.13.4 E-mail configuration

The parameters listed in the supervisory table (see section 7.13.5 "LCP DX supervisory table") can be used to configure various events for notification by e-mail.

- The procedure for configuration is described in the original user instructions for the pCO Web card from Carel.

These instructions can be found at the following address:

<https://www.carel.com/documents/10191/0/+030220%20966/12c36f92-bfa6-4418-97bf-ec21acc4f37?version=1.1>



## 7.13.5 LCP DX supervisory table

Tab. 14: LCP DX supervisory table – analogue variables

BMS Address	Description	UOM	Min	Max	Read/Write	Note
1	Reserved – (not used or other special application or internal debug)	°C	-99.9	99.9	R	Only for Service/Manufacturer
2	B2 probe value: LCP Server IN	°C	-99.9	99.9	R	Customer
3	B3 probe value: LCP Server IN	°C	-99.9	99.9	R	Customer
4	B4 probe value: LCP Server IN	°C	-99.9	99.9	R	Customer
5	Reserved – (not used or other special application or internal debug)	°C	-99.9	99.9	R	Only for Service/Manufacturer
6	B6 probe value: ROOM Server OUT	°C	-99.9	99.9	R	Customer
7	B7 probe value: ROOM Server OUT	°C	-99.9	99.9	R	Customer
8	B8 probe value: ROOM Server OUT	°C	-99.9	99.9	R	Customer
9	B9 Probe value: Compressor discharge temperature	°C	-99.9	99.9	R	Customer
10	B10 Probe value: Compressor suction temperature	°C	-99.9	99.9	R	Customer
11	B11 probe value: High pressure – Compressor Discharge Pressure	bar	-99.9	99.9	R	Customer
12	B12 probe value: Low pressure – Compressor Suction Pressure	bar	-99.9	99.9	R	Customer
13	Evaporator temperature from Low pressure conversion	°C	-99.9	99.9	R	Customer
14	Condensing temperature from High pressure conversion	°C	-99.9	99.9	R	Customer
15...20	Reserved – (not used or other special application or internal debug)	–	–	–	–	Only for Service/Manufacturer
21	Server Medium Temp Out – (Room)	°C	-99.9	99.9	R	Customer
22	Server Medium Temp In – (LCP)	°C	-99.9	99.9	R	Customer
23...44	Reserved – (not used or other special application or internal debug)	–	–	–	–	Only for Service/Manufacturer
45	Compressor Rotor speed	rps	0	999.9	R	Customer
46	Compressor Motor current	A	0	99.9	R	Customer
47	Reserved – (not used or other special application or internal debug)	rps	0	999.9	R	Only for Service/Manufacturer
48	Main Setpoint LCP	°C	-99.9	99.9	R/W	Customer
49...207	Reserved – (not used or other special application or internal debug)	–	–	–	–	Only for Service/Manufacturer

# 7 Operation

Tab. 15: LCP DX supervisory table – integer variables

BMS Address	Description	UOM	Min	Max	Read/Write	Note
1	Compressor Rotor speed	Hz	0	9999	R	Only for Service/Manufacturer
2	Driver Power+ status (0:Stop; 1:Run; 2:Alarm)	–	0	2	R	Only for Service/Manufacturer
3	Current error code (0):	–	0	99	R	Only for Service/Manufacturer
4	Driver Power+ temperature	°C	-999	999	R	Only for Service/Manufacturer
5	Power+ DC Bus Voltage	V	0	999	R	Only for Service/Manufacturer
6	Motor Voltage	V	-9999	9999	R	Only for Service/Manufacturer
7	Request of power for inverter after envelop	%	0	1000	R	Only for Service/Manufacturer
8	Current hour	–	0	23	R	Customer
9	Current minute	–	0	59	R	Customer
10	Current month	–	1	12	R	Customer
11	Current weekday	–	1	7	R	Customer
12	Current year	–	0	99	R	Customer
13	Unit On–Off (0=Off; 1=On da ambiente) (0=Off; 1=On; 2=Energy save; 3=Auto)	–	0	3	R/W	Customer
14	Envelope Zone: 0=OK; 1=Max.compr.ratio; 2=Max.disch.P.; 3=Curr.limit; 4=Max.suct.P.; 5=Min.compr.ratio; 6=Min.DeltaP; 7=Min.disch.P.; 8=Min. suct.P.	–	0	9	R	Only for Service/Manufacturer
15	HT Zone: 0:null, 1: Disch.T. OK; 2: Disch.T. inside control zone=reduce speed rate; 3: Disch.T. >thr=speed reduction	–	0	32767	R	Only for Service/Manufacturer
16	Actual circuit cooling capacity for EVD valve	%	0	100	R	Only for Service/Manufacturer
17	EVD Valve steps position	steps	0	540	R	Customer
18	Output Y3 value: Fans Speed	%	0	9999	R	Customer
19...26	Reserved – (not used or other special application or internal debug)	–	–	–	–	Only for Service/Manufacturer
27	Current day	–	1	31	R	Customer
28	Fans Speed (percent)	%	0	100	R	Customer
29	Fans Speed (rpm)	rpm	0	3700	R	Customer
30	EVD Valve opening percent	%	0	100	R	Customer
31...207	Reserved – (not used or other special application or internal debug)	–	–	–	–	Only for Service/Manufacturer

Tab. 16: LCP DX supervisory table – digital variables

BMS Address	Description	UOM	Min	Max	Read/Write	Note
1	Reserved – (not used or other special application or internal debug)	–	0	1	R	Only for Service/Manufacturer
2	Digital input 2: Drive/Compressor Overload	–	0	1	R	Customer
3	Digital input 3: High Pressure Switch Alarm	–	0	1	R	Customer
4...7	Reserved – (not used or other special application or internal debug)	–	0	1	R	Only for Service/Manufacturer
8	Digital input 8: Remote ON/OFF	–	0	1	R	Customer
9...10	Reserved – (not used or other special application or internal debug)	–	0	1	R	Only for Service/Manufacturer
11	General Inverter Alarm	–	0	1	R	Customer
12	Power+ Drive Off-Line Alarm	–	0	1	R	Customer
13...16	Reserved – (not used or other special application or internal debug)	–	0	1	R	Only for Service/Manufacturer
17	Digital output 1: Compressor On	–	0	1	R	Customer
18...22	Reserved – (not used or other special application or internal debug)	–	0	1	R	Only for Service/Manufacturer
23	Digital output 7: General Alarm Contact	–	0	1	R	Customer
24...28	Reserved – (not used or other special application or internal debug)	–	0	1	R	Only for Service/Manufacturer
29	Command to reset all alarms by Supervisor	–	0	1	R/W	Only for Service/Manufacturer
30	Envelope Alarm: Memory alarm compressor forced off working out envelope	–	0	1	R	Customer
31	Compressor startup failure alarm: reach max retry number	–	0	1	R	Customer
32	Compressor startup failure alarm used for the alarm mask visualization	–	0	1	R	Customer
33	Memory Alarm max discharge temperature	–	0	1	R	Customer
34	Reserved – (not used or other special application or internal debug)	–	0	1	R	Only for Service/Manufacturer
35	Memory alarm Delta pressure too big to startup compressor	–	0	1	R	Customer
36	Memory alarm control for oil return when compressor is running (lubrication)	–	0	1	R	Customer
37	Reserved – (not used or other special application or internal debug)	–	0	1	R	Only for Service/Manufacturer
38	Memory alarm probe broken (analogic input B2): LCP Server IN	–	0	1	R	Customer
39	Memory alarm probe broken (analogic input B3): LCP Server IN	–	0	1	R	Customer

# 7 Operation

Tab. 16: LCP DX supervisory table – digital variables

BMS Ad- dress	Description	UOM	Min	Max	Read/ Write	Note
40	Memory alarm probe broken (analogic input B4): LCP Server IN	–	0	1	R	Customer
41	Reserved – (not used or other special application or internal debug)	–	0	1	R	Only for Service/ Manufacturer
42	Memory alarm probe broken (analogic input B6): ROOM Server OUT	–	0	1	R	Customer
43	Memory alarm probe broken (analogic input B7): ROOM Server OUT	–	0	1	R	Customer
44	Memory alarm probe broken (analogic input B8): ROOM Server OUT	–	0	1	R	Customer
45	Memory alarm probe broken (analogic input B9): Compressor Discharge Temperature	–	0	1	R	Customer
46	Memory alarm probe broken (analogic input B10): Compressor Suction Temperature	–	0	1	R	Customer
47	Memory alarm probe broken (analogic input B11): Compressor Discharge Pressure	–	0	1	R	Customer
48	Memory alarm probe broken (analogic input B12): Compressor Suction Pressure	–	0	1	R	Customer
49...99	Reserved – (not used or other special application or internal debug)	–	0	1	R	Only for Service/ Manufacturer
100	System reboot	–	0	1	R/W	Customer
101...207	Reserved – (not used or other special application or internal debug)	–	0	1	R	Only for Service/ Manufacturer

## 8 Troubleshooting

### 8.1 General

If there is a malfunction or alarm on the device, a corresponding error message will be displayed. The corresponding LED on the command panel will be illuminated and the alarm relay switched where applicable (collective fault signal).

Errors are divided into three categories.

1. **Alarms:** The device will be stopped (at least individual components).
2. **Warnings:** Selected device functions will no longer be executed.
3. **Messages:** A message is output on the display (for example, if a limit is exceeded) but the device remains operational.

- Press the "Alarm" button on the command panel to view all active error messages.  
The location of the error and the component affected will be shown on the display.
- In the event of multiple errors, use the "Up" and "Down" buttons to scroll through the list.
- Press the "Alarm" button again to confirm the currently selected error.  
Once the cause of the error has been rectified, the error message will be deleted from the list.



**Note:**  
Following an automatic restart, the alarm LED and the corresponding message text will remain active until the "Alarm" button on the command panel has been pressed twice.

The following additional information about the error messages will be output at the end of the aforementioned list of error messages:

1. Sequence of error messages. "E01" is the oldest error, "E02" the one after that, and so on.
2. Date and time when the error occurred.
3. The alarm code, e.g. "ALF01".
4. A brief description of the cause of the error.
5. Inlet and outlet temperature and high and low pressure in the cooling circuit.



**Note:**  
A maximum of 50 error messages will be saved. If further errors occur, the oldest error messages will be overwritten.



**Note:**  
For technical queries, or if servicing is required, please contact Rittal using the addresses shown in section 18 "Customer service addresses".

### 8.2 Alarm relay circuit

Any error messages from the LCP DX which may occur may be output to an external signal source via a floating relay output. Depending on the connection to the terminal strip, it is possible to determine whether the alarm should be switched as a normally closed or a normally open contact.

- Normally closed contact (NC)
- Normally open contact (NO)
- Shared conductor (C)



**Note:**  
Further information on the precise connection points can be found in the circuit diagram for the LCP DX supplied loose with the device.

# 8 Troubleshooting

## 8.3 List of error messages and solutions

Alarm code	Display	Possible cause	Possible solution
ALA02	Alarms ALA02 Position: B2 Probe B2 faulty or disconnected alarm	Sensor failure or sensor not correctly connected.	Check the connection on the motherboard or replace the sensor.
ALA03	Alarms ALA03 Position: B3 Probe B3 faulty or disconnected alarm	Sensor failure or sensor not correctly connected.	Check the connection on the motherboard or replace the sensor.
ALA04	Alarms ALA04 Position: B4 Probe B4 faulty or disconnected alarm	Sensor failure or sensor not correctly connected.	Check the connection on the motherboard or replace the sensor.
ALA06	Alarms ALA06 Position: B6 Probe B6 faulty or disconnected alarm	Sensor failure or sensor not correctly connected.	Check the connection on the motherboard or replace the sensor.
ALA07	Alarms ALA07 Position: B7 Probe B7 faulty or disconnected alarm	Sensor failure or sensor not correctly connected.	Check the connection on the motherboard or replace the sensor.
ALA08	Alarms ALA08 Position: B8 Probe B8 faulty or disconnected alarm	Sensor failure or sensor not correctly connected.	Check the connection on the motherboard or replace the sensor.
ALA09	Alarms ALA09 Position: B9 Probe B9 faulty or disconnected alarm	Sensor failure or sensor not correctly connected.	Check the connection on the motherboard or replace the sensor.
ALA10	Alarms ALA10 Position: B10 Probe B10 faulty or disconnected alarm	Sensor failure or sensor not correctly connected.	Check the connection on the motherboard or replace the sensor.
ALA11	Alarms ALA11 Position: B11 Probe B11 faulty or disconnected alarm	Sensor failure or sensor not correctly connected.	Check the connection on the motherboard or replace the sensor.
ALA12	Alarms ALA12 Position: B12 Probe B12 faulty or disconnected alarm	Sensor failure or sensor not correctly connected.	Check the connection on the motherboard or replace the sensor.
ALB01	Alarms ALB01 Position: ID3 High pressure	High ambient temperature, incorrect coolant filling, defective fan.	Check device limits, check coolant volume and check correct functioning of fan.
ALB02	Alarms ALB02 High pressure compressor 1 by transducer	High ambient temperature, incorrect coolant filling, defective fan.	Check device limits, check coolant volume and check correct functioning of fan.

## 8 Troubleshooting

Alarm code	Display	Possible cause	Possible solution
ALB03	Alarms ALB03 Low pressure compressor/compressors by transducer	Incorrect coolant filling, insufficient quantity of coolant, blocked coolant lines, thermostatic valve closed.	Check coolant volume, check lines for leaks, check thermostatic valve.
ALC01	Alarms ALC01 Position: ID2 Compressor 1 overload or inverter alarm	High inlet temperature, high heat load, incorrect pipework, incorrect wiring.	Check operating conditions as per compressor specifications, check device limits, check pipework and wiring.
ALC03	Alarms ALC03 Envelope alarm zone	Operating conditions outside of compressor specifications.	Check operating conditions as per compressor specifications.
ALC04	Alarms ALC04 Compressor start failure (temp./max.)	Inadequate pressure difference during device startup, excess current or missing phase on inverter, blocked inverter.	Check operating conditions as per compressor specifications, check device limits, check error codes in inverter manual.
ALC05	Alarms ALC05 High discharge gas temperature	High inlet temperature, high heat load, incorrect pipework.	Check operating conditions as per compressor specifications, check device limits, check pipework.
ALC06	Alarms ALC06 Low pressure differential (insuff. lubrication)	Operating conditions outside of compressor specifications or device limits, blocked compressor, incorrect wiring.	Check operating conditions as per compressor specifications, check device limits, check wiring.
ALF01	Alarms ALF01 Position: ID1 Fan overload	Incorrect wiring.	Check wiring against circuit diagram.
ALD02	Alarms ALD02 Probe S1: Probe S2: Probe S3: Probe S4:	Sensor failure or sensor not correctly connected.	Check the connection on the motherboard or replace the sensor.
ALD03	Alarms ALD03 EEV motor error	Incorrect or missing wiring between motherboard and valve motor.	Check the connection on the motherboard or replace on the valve motor.
ALD04	Alarms ALD04 Low superheat (LowSH)	Incorrect coolant filling, insufficient heat load, insufficient fan speed.	Check device limits, check coolant volume, check fan speed.
ALD05	Alarms ALD05 Low suction temperature	Cf. ALD04 and ALD06.	Cf. ALD04 and ALD06.
ALD06	Alarms ALD06 Low evaporation temperature (LOP)	Incorrect coolant filling, insufficient coolant volume, blocked coolant lines, thermostatic valve closed.	Check coolant volume, check lines for leaks, check thermostatic valve.
ALD07	Alarms ALD07 High evaporation temperature (HOP)	High inlet temperature, incorrect PID valve parameter.	Check valve PID parameters, alarm delay, raise the MOP limit (max. 25 °C) if condenser ambient temperature is max. 35 °C.
ALD08	Alarms ALD08 High condensing temperature (HiTcond)	High ambient temperature, incorrect coolant filling, defective fan on condenser.	Check device limits, check coolant volume, check fan on condenser.
ALD09	Alarms ALD09 Driver offline	Cf. inverter manual.	Cf. inverter manual.

## 8 Troubleshooting

Alarm code	Display	Possible cause	Possible solution
ALL01	Alarms ALL01 Power+ offline	Wrong communication between the driver and the motherboard.	Check the MODbus connection cable; check the communication parameters.
ALL02	Alarms ALL02 Power+ Generic Alarm	Over or under current; over or under voltage; over or under temperature of the drive of the compressor motor; see drive manual "code [105]".	Check the cable; check previous high pressure alarm.
ALL99	99 Unexpected inverter stop	Short power failure.	Restart the unit; connect to a UPS if necessary. After the reset, the alarm is stored in the alarm data log as ALL01.
ALW04	ALW04 Max temperature (warning)	A previous alarm has stopped the unit; heat load too high compared to the cooling capacity of the unit.	Reset the previous alarm.



## 9 Inspection and maintenance

The following maintenance work should be carried out on the LCP DX:

- The condensate water discharge device should be checked regularly for correct functioning.
- Regularly check the coolant circuit and all main components for correct functioning (at least once a year according to DIN EN 378).
- Regularly check for leaks using a suitable device (annually) as required by the F-gas regulation (see section 2.3.3 "F-gas regulation" and section 2.3.4 "Chemicals – Climate Protection Ordinance").

### 9.1 Safety instructions concerning maintenance work

- Ensure that the personnel carrying out essential maintenance work wears the required personal safety equipment (see section 2.2.1 "Personal safety equipment").
- For all maintenance work, please ensure that the LCP DX is switched off completely at the master switch and secured against re-activation.

### 9.2 Cleaning the heat exchanger

During regular checks of the device, if you ascertain any dirt in the heat exchanger it must be cleaned.

- Use compressed air or a vacuum cleaner with the brush attachment to clean the heat exchanger.

### 9.3 Fan installation



**Caution! Risk of injury!**  
Before installing or removing a fan, be sure to de-energise the relevant fan on the corresponding switch.



**Note:**  
At an ambient temperature of 40 °C, the nominal service life of the built-in fan is 40,000 operating hours.

If a fan module is defective, it can be replaced quickly and easily with the unit operational.

Proceed as follows to remove a fan module:

- Open the front door of the LCP DX.
- On the electronics box, deactivate the switch for the fan you wish to replace.



Fig. 38: Electronics box – front

#### Key

- 1 Switch for fan 1 (top fan in the LCP DX)
- 2 Switch for fan 2
- 3 Switch for fan 3
- 4 Switch for fan 4 (bottom fan in the LCP DX)

- Release the two DC and AC fan connectors on the left and right (fig. 39, items 2 and 6).
- Disconnect the PE conductor connection on the fan (fig. 39, item 3).
- Loosen the two fixing screws, right and left, at the top and bottom of the fan air baffle plates.



Fig. 39: Fan module in fan tray

#### Key

- 1 Air baffle plate
- 2 DC connection cable (control voltage)
- 3 PE conductor connection
- 4 Fan
- 5 Handle
- 6 AC connection cable (power supply)

- Rotate the fan module in the rack in a clockwise direction by 90° (fig. 40).
- Grasp the fan module with both hands on the left and right, and pull it out of the rack.

## 9 Inspection and maintenance

---

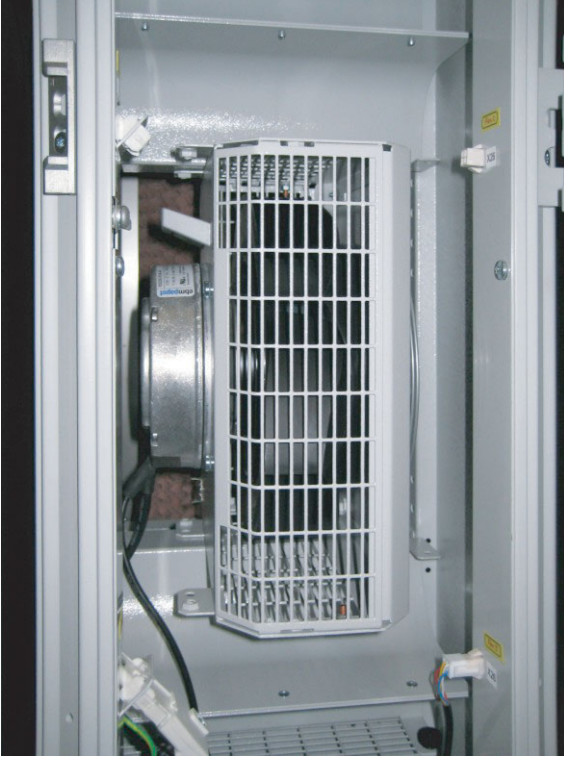


Fig. 40: Rotated fan module in fan tray



---

**Note:**

The LCP DX may only be operated with all four fans running.

---

## 10 Storage and disposal

---



**Caution! Risk of damage!**

**The LCP DX must not be subjected to temperatures above +50 °C during storage.**

---

During storage, the LCP DX must stand upright.

Disposal can be performed at the Rittal plant.

Please contact us for advice.



**Caution! Risk of environmental contamination!**

**Never allow refrigerant from the cooling circuit or oil from the compressor to escape into the environment.**

**Refrigerant and oil must be properly disposed of in accordance with the valid national legislation and regulations.**

---

# 11 Technical specifications

## 11 Technical specifications

### 11.1 LCP Rack DX/LCP Inline DX

<b>Technical specifications</b>	
Description/Model No.	LCP Rack DX / 3313.290 (1200 mm depth)
Description/Model No.	LCP Inline DX / 3313.390 (1200 mm depth)
<b>Dimensions and weight</b>	
Dimensions width x height x depth (W x H x D) [mm]	300 x 2000 x 1200
U height	42
Weight, max. [kg]	239
<b>Electrical connection</b>	
Type of electrical connection	Connection clamp
Short-circuit current	10 kA on 3-phase plant
Rated voltage [V, Hz]	380...480 V $\pm$ 10 %, 3~, N, PE, 50/60 Hz
Rated current [A]	12.4
Startup current [A]	18.2
Pre-fuse T [A]	32
Duty cycle [%]	100
<b>Cooling output</b>	
Nominal cooling capacity EN 14511 [kW]	L35 L35 20,0
	L35 L45 16,7
Total power input [kW]	L35 L35 7,3
	L35 L45 8,8
Energy Efficiency Ratio (EER) L35 L35	2.74
Air throughput, max. [m <sup>3</sup> /h]	4.800
<b>Cooling circuit</b>	
Coolant/Fill volume [kg]	R410A/see tab. 22 "Total refrigerant charge"
Max. allowable pressure [bar]	PS HP: 42
	PS LP: 30
Connection diameter refrigerant pipes [mm]	See tab. 23 "Refrigerant pipes"
External diameter of coolant lines [mm]	See tab. 23 "Refrigerant pipes" (1mm wall thickness)
<b>Other information</b>	
Storage temperatures [°C]	-20...+50
Temperature range [°C]	+15...+35 (indoor)
Relative humidity range [%]	10...90
Max. height above sea level [m]	2500

Tab. 17: Technical specifications LCP DX

Technical specifications	
IP protection category IEC 60529	IP 20 (indoor)
Colour	RAL 7035

Tab. 17: Technical specifications LCP DX

## 11.2 Standard condenser

Technical specifications		
Description/Model No.	Standard condenser / 3311.363	
Dimensions and weight		
Dimensions W x H x D ("H" version) [mm]	2282 x 818 x 552	
Dimensions W x H x D ("V" version) [mm]	2282 x 510 x 480	
Weight, max. [kg]	68	
Electrical connection		
Type of electrical connection	Connection clamp	
Rated voltage [V, Hz]	230/1~/N/PE, 50	230/1~/N/PE, 60
Startup current [A]	3	2.8
Pre-fuse T [A]	6	6
Duty cycle [%]	100	
Cooling circuit		
Coolant/Fill volume [kg]	R410A/see tab. 22 "Total refrigerant charge"	
Connection diameter refrigerant pipes [mm]	See tab. 23 "Refrigerant pipes"	
External diameter of coolant lines [mm]	See tab. 23 "Refrigerant pipes" (1mm wall thickness)	
Other information		
Storage temperatures [°C]	-20...+55	
Ambient temperature [°C]	-20...+45	
Noise level [dB(A)] (Open air above reflective flooring, distance 10 m)	45	

Tab. 18: Technical specifications for the standard condenser unit

# 11 Technical specifications

## 11.3 Low temperature unit

### 11.3.1 Low temperature condenser for ambient temperatures up to -40 °C

Technical specifications		
Description/Model No.	Low temperature condenser	
Dimensions and weight		
Dimensions W x H x D ("H" version) [mm]	2282 x 818 x 552	
Dimensions W x H x D ("V" version) [mm]	2282 x 510 x 480	
Weight, max. [kg]	62	
Electrical connection		
Type of electrical connection	Connection clamp	
Rated voltage [V, Hz]	230/1~/N/PE, 50	230/1~/N/PE, 60
Startup current [A]	2.7	2.7
Pre-fuse T [A]	6	6
Duty cycle [%]	100	
Cooling circuit		
Coolant/Fill volume [kg]	R410A/see tab. 22 "Total refrigerant charge"	
Connection diameter refrigerant pipes [mm]	See tab. 23 "Refrigerant pipes"	
External diameter of coolant lines [mm]	See tab. 23 "Refrigerant pipes" (1mm wall thickness)	
Other information		
Storage temperatures [°C]	-40...+55	
Ambient temperature [°C]	-40...+45	
Noise level [dB(A)] (Open air above reflective flooring, distance 10 m)	45	

Tab. 19: Technical specifications for the low temperature condenser unit

### 11.3.2 Winter kit module for operating the low temperature condenser unit

Technical specifications		
Description/Model No.	Winter kit module	
Dimensions and weight		
Dimensions W x H x D [mm]	505 x 400 x 305	
Weight, max. [kg]	35	
Electrical connection		
Type of electrical connection	Connection clamp	
Rated voltage [V, Hz]	230/1~/N/PE, 50	230/1~/N/PE, 60
Startup current [A]	0.6	0.6
Pre-fuse T [A]	6	6
Duty cycle [%]	100	

Tab. 20: Technical specifications for the winter kit module

## 11 Technical specifications

Technical specifications	
<b>Cooling circuit</b>	
Coolant/Fill volume [kg]	R410A/see tab. 22 "Total refrigerant charge"
Connection diameter refrigerant pipes [mm]	See tab. 23 "Refrigerant pipes"
External diameter of coolant lines [mm]	See tab. 23 "Refrigerant pipes" (1mm wall thickness)
<b>Other information</b>	
Storage temperatures [°C]	-40...+50
Ambient temperature [°C]	-40...+45

Tab. 20: Technical specifications for the winter kit module

### 11.4 High temperature condenser for ambient temperatures up to +53 °C

Technical specifications		
Description/Model No.	High temperature condenser	
<b>Dimensions and weight</b>		
Dimensions W x H x D ("H" version) [mm]	2225 x 1046 x 900	
Dimensions W x H x D ("V" version) [mm]	2206 x 830 x 570	
Weight, max. [kg]	104	
<b>Electrical connection</b>		
Type of electrical connection	Connection clamp	
Rated voltage [V, Hz]	230/1~/N/PE, 50	230/1~/N/PE, 60
Startup current [A]	2	2
Pre-fuse T [A]	6	6
Duty cycle [%]	100	
<b>Cooling circuit</b>		
Coolant/Fill volume [kg]	R410A/see tab. 22 "Total refrigerant charge"	
Connection diameter refrigerant pipes [mm]	See tab. 23 "Refrigerant pipes"	
External diameter of coolant lines [mm]	See tab. 23 "Refrigerant pipes" (1mm wall thickness)	
<b>Other information</b>		
Storage temperatures [°C]	-20...+55	
Ambient temperature [°C]	-20...+53	
Noise level [dB(A)] (Open air above reflective flooring, distance 10 m)	40	

Tab. 21: Technical specifications for the high temperature condenser unit



# 11 Technical specifications

## 11.5 Total refrigerant charge

System: LCP DX + condenser + winter kit module (in case of it)	Fill volume up to a line length of 5 m [kg]	Fill volume per metre above 5 m [kg]
System with standard condenser	5.0	0.05
System with low temperature condenser and winter kit module	6.0	0.05
System with high temperature condenser	5.7	0.05

Tab. 22: Total refrigerant charge

## 11.6 Refrigerant pipes

Connection diameter LCP DX 20 kW: 12 mm/12 mm

Type of condenser	Connection diameter condenser liquid line/hot gas line [mm]	Equivalent length	External diameter of coolant lines liquid line/hot gas line [mm]
Standard	22/22	Up to 20 m	12/16
		20 m to 45 m	16/16
Low temperature	22/22	Up to 20 m	12/16
		20 m to 45 m	16/16
High temperature	28/28	Up to 20 m	12/16
		20 m to 45 m	16/16

Tab. 23: Refrigerant pipes

**12 Spare parts**

<b>Article</b>	<b>Qty./Pack</b>
Control unit	918038
Display	907124
Compressor	918096
Inverter	
Electronic expansion valve	918099
Fan, single	919746
Switch for fan	920811
High-pressure switch	911473
Temperature sensor hot/cold air	903061
Coolant filter	916264

Tab. 24: Spare parts list – LCP DX

# 13 Accessories

## 13 Accessories

Article	Model No.	Qty./Pack	Remarks
Standard condenser	3311.363	1	Required for operation of the LCP DX.
Vertical shielding (foam strips) for enclosure width 600 mm, for external mounting on side panel	3301.380	1	
Vertical shielding (foam strips) for enclosure width 600 mm, for external mounting on LCP DX	3301.370	1	
Vertical shielding (foam strips) for enclosure width 800 mm, for external mounting on side panel	3301.390	1	
Vertical shielding (foam strips) for enclosure width 800 mm, for external mounting on LCP DX	3301.320	1	
Air baffle for dynamic VX-IT, 600 mm width	5302004	2	
Air baffle for static VX-IT, 600 mm width	5302016	2	
Air baffle for dynamic VX-IT, 800 mm width	5302005	2	
Air baffle for static VX-IT, 800 mm width	5302014	2	
VX IT/TS, TS IT baying connector, external, zinc-coated sheet steel	5302312	1	Two baying kits are needed for baying the LCP on both sides

Tab. 25: Accessories list – LCP DX

## 14 SNMP card

To incorporate the device into a building management system, a pCO Web card is installed in the electronics box.

Then the LCP DX website provides all essential information on the homepage. For example, it depicts a collective alarm. The name and location of the LCP DX may also be configured on this website. A second operating level allows you to set the server air injection temperature.

### Logging on to the LCP DX website

- Open the browser and enter the IP address of the LCP DX (or the pCO Web card) in the address line. Example of a static IP address:  
http://172.16.0.1

A dialogue will appear for logging onto the LCP DX.

- Enter **admin** as the user and **admin** as the password. The LCP DX website will appear.

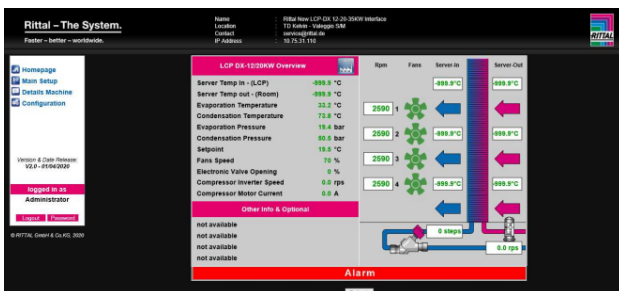


Fig. 41: LCP DX homepage

The following parameters are displayed in tabular form on the LCP DX homepage.

- Server Temp In (average)
- Server Temp Out (average)
- Evaporation Temperature
- Condensation Temperature
- Evaporation Pressure
- Condensation Pressure
- Setpoint
- Fans Speed
- Electronic Valve Opening
- Compressor Inverter Speed
- Compressor Motor Current

The following parameters are displayed in diagrammatic form on the LCP DX homepage.

- Setpoint speed for the fans
- Server-in temperature (top, middle, bottom)
- Server-out temperature (top, middle, bottom)
- Position of the electronic expansion valve
- Compressor speed

The 2nd menu level, **Main Setup**, is password-protected. The server air injection temperature of the LCP DX may be set here.

- Click on the **Main Setup** entry in the left-hand section of the website.

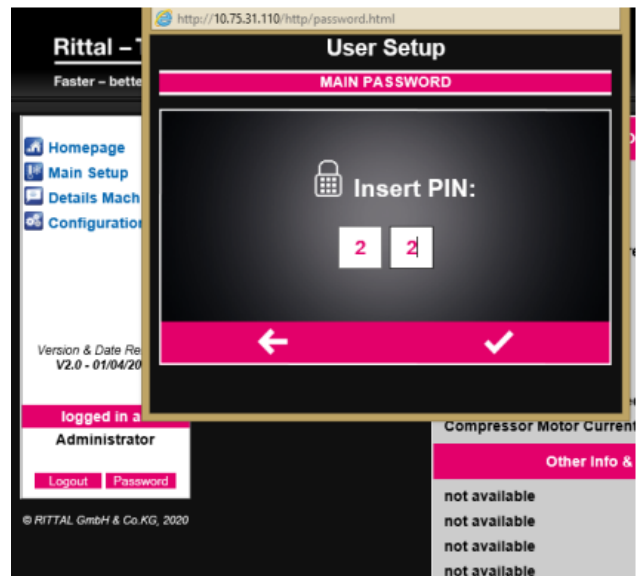


Fig. 42: Logging on to the 2nd menu level (Main Setup)

- Enter **2 2** as PIN.

The following screen will appear:

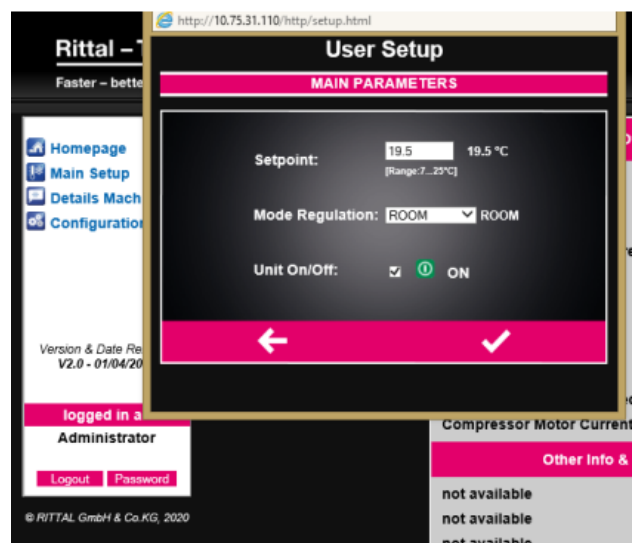


Fig. 43: Setting the server air injection temperature

- Set the server air injection temperature to the required value between 7 °C and 25 °C.
- Confirm your entry by clicking on the **check mark**.
- Clicking on the **Homepage** button will take you back to the LCP DX homepage.

# 14 SNMP card

Clicking on the **Details Machine** button is possible to see some unit informations.

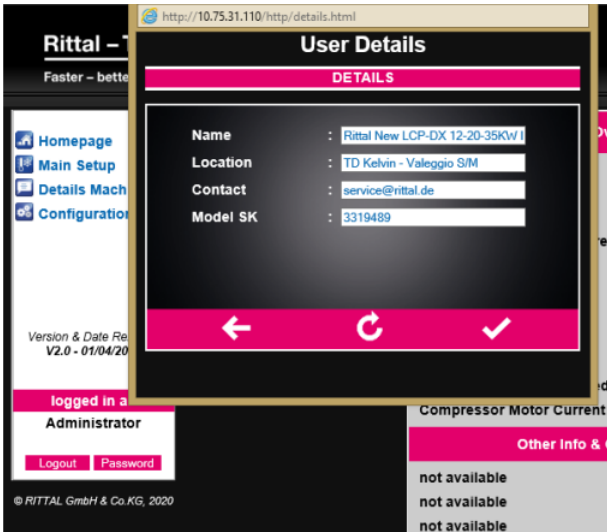


Fig. 44: Details machine

Clicking on the Configuration button is possible to see all the Carel page features.

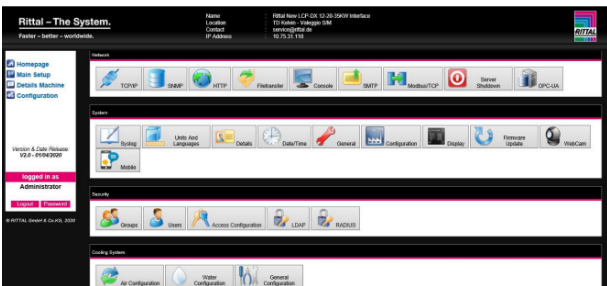
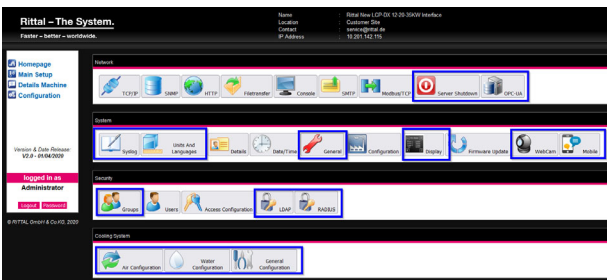


Fig. 45: Configuration

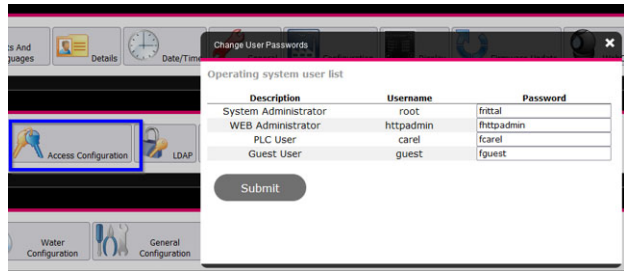
All the functions TCP/IP, SNMP, HTTP, Filetransfer, Console, SMTP, Modbus/TCP, System-Date/Time will be applied after a reboot of pCOWeb, possible on Carel pages.

The function Configuration-System-Firmware Update can be done only by Service on the installation, since it involves also settings to be done on the display of the unit.

The following buttons do not have any functionality for customers.



The settings in this window do not have any impact on the login of this website, only relevant for Carel.



Clicking on the **Password** button will be possible to set a new password.

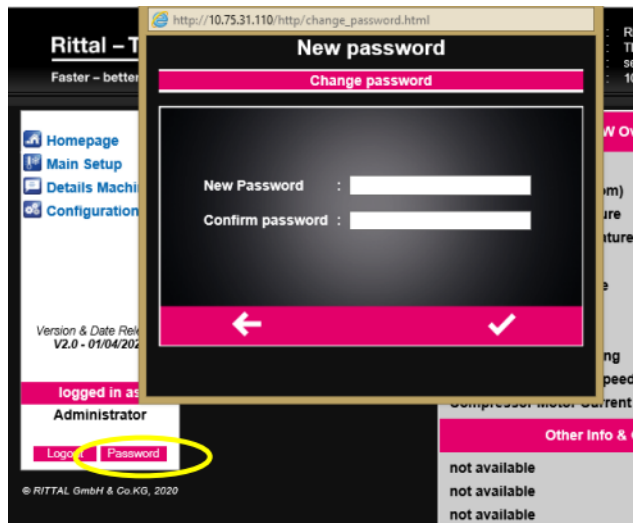


Fig. 46: Password



**Note:**

In case of password change, please write it down and store it because if you don't remember the new password, it will be not possible to access to the SNMP software.

Clicking on the **Factory icon** button will be possible to get access to the Carel Information Page.

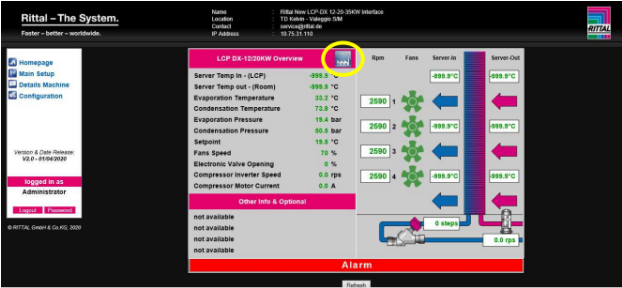
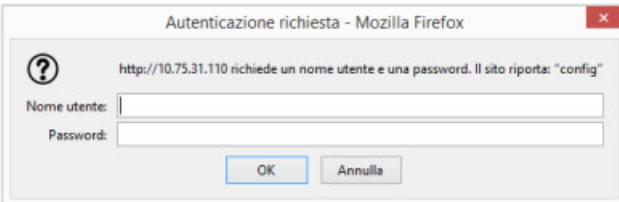


Fig. 47: Factory icon to Carel page



Username: admin  
Password: fadmin

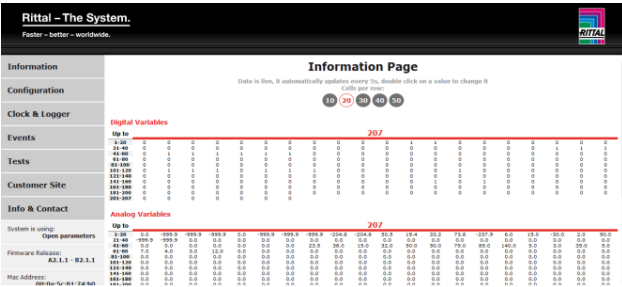


Fig. 48: Carel Information Page

## 15 Options

### 15.1 General information

All models of the LCP DX series can be equipped with the following options:

1. Humidifier
2. Electrical heaters
3. Dehumidification function
4. Condensate pump
5. Low temperature unit for low ambient temperatures
6. Condenser unit for high ambient temperatures
7. Air filter with clogged filter alarm (not available for LCP Rack DX 3313.290)
8. Redundancy

Note:



- The two options 6 (low temperature unit) and 7 (high temperature condenser unit) **cannot** be installed together.
- When the "Dehumidification function" (option 4) is selected, also the "Electric heater" (option 3) must be selected.

### 15.2 Humidifier

#### 15.2.1 General information

If the ambient air at the installation location of the LCP DX has a very low humidity, there is the danger of device damage caused by electrostatic charges. The "Humidifier" option allows the humidity to be increased at the installation location. The option consists of two components:

- Ultrasonic humidifier for producing the extremely small droplets (approx. 1...5 µm diameter)
- Distribution pipe behind the evaporator for distributing the droplets into the air flow

Because the droplets are created at the ambient temperature, the air humidifier requires approx. 90% less energy than a immersed electrodes humidifier.

A humidity sensor is also installed on the inlet side of the LCP DX. The value acquired here is compared with the setpoint for the humidity and the humidifier is activated only when required.

Note:



When in use, the humidifier performs an automatic flushing operation every 60 minutes. When the humidifier is in standby mode, the flushing operation is performed once every 24 hours.

#### 15.2.2 Activating the humidifier

To activate the humidification function, proceed as follows:

- Assign the "YES" value to the "Enable B5 humidity" entry in the "Hc39" menu.

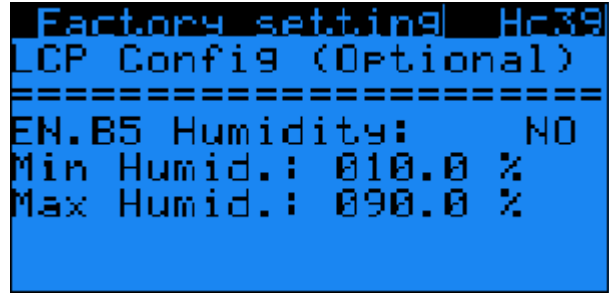


Fig. 49: "Hc39" menu

- Also assign the "YES" value to "Enable" entry in the "Ha35" menu.

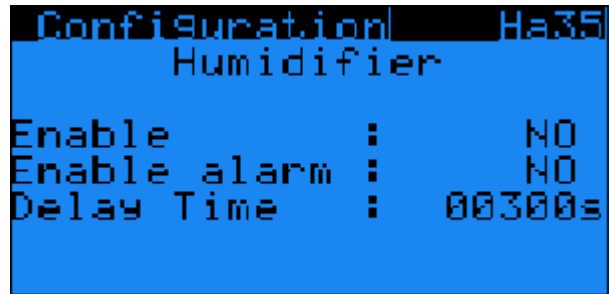


Fig. 50: "Ha35" menu

#### 15.2.3 Setting the humidity setpoint

DIP switches located below the humidifier allow the desired value to be set for the setpoint humidity.

- First remove the third fan from the top in order to reach the DIP switches.
- Set with the DIP switches no. 5 and no. 6 the required value for the humidity setpoint from the following table.

Humidity setpoint	DIP switch position
30%	5: OFF; 6 ON
40%	5: ON; 6 OFF
50%	5: OFF; 6 OFF
60%	5: ON; 6 ON

Tab. 26: Humidity setpoint settings

#### 15.2.4 Technical specifications

Technical specifications	
Creation of atomised water (capacity)	0.5 kg/h
Power supply	1-phase 230 VAC / 50...60 Hz
Current consumption	0.5 A
Power consumption	40 W
Water supply temperature range	1...40 °C

Tab. 27: Humidifier technical specifications



Technical specifications	
Water supply pressure range	0.1...6 bar
Water supply flow rate	0.6 l/min
Water supply	Demineralised water
Discharge flow	7 l/min

Tab. 27: Humidifier technical specifications



**Note:**

Drinking water can also be used for operating the humidifier.

- If the humidifier is connected directly to the drinking water system, the technical regulations for protecting the drinking water must be observed.
- The water used to operate the humidifier must comply with the requirements of VDI 2035.
- If the humidifier is used together with a condensate pump, failure to observe the VDI 2035 specifications can cause the condensate pump to malfunction.
- Rittal recommends that the device is operated with demineralised water as the service life of the humidifier may otherwise be adversely affected, depending on the quality of the drinking water.

### 15.2.5 Installation prerequisites



**Note:**

The humidifier can also be installed subsequently in a previously installed LCP DX. In this case, contact Rittal Service (see section 18 "Customer service addresses").

The water is supplied to the humidifier from a hose already installed at the factory (connection diameter 1/8" external thread).

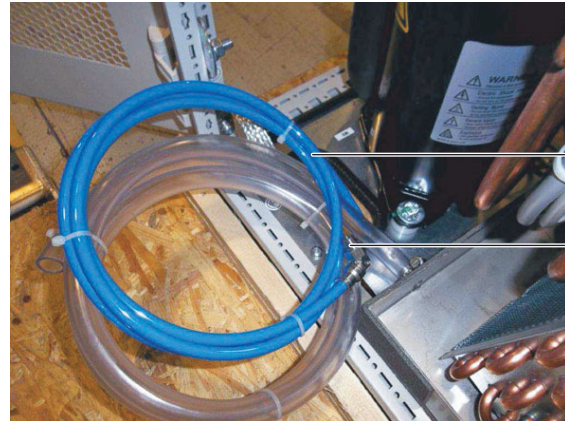


Fig. 51: Connection hose with 1/8" external thread adapter

**Legend**

- 1 Connection hose
- 2 1/8" external thread adapter

The humidifier discharge is made into the condensate collection tray.

- Ensure that the condensate discharge is installed correctly (see section 6.3 "Connecting the condensate discharge").
- Alternatively, connect the optional condensate pump (see section 15.5 "Condensate pump").

## 15.3 Electrical heaters

### 15.3.1 General information

This option is particularly suitable

- for low ambient temperatures at the installation location of the IT cabinet, or
- for low thermal loads such as those which occur typically during the first phase after the installation.

The electrical heaters guarantee a constant supply air temperature to the installed devices even for such application cases.

This option must also be installed when the "Dehumidification" option is used (see section 15.4 "Dehumidification").



Fig. 52: Electrical heaters

The deployed 2 kW heaters are switched on automatically by the LCP DX controller when the average value of the air temperature falls below a specified setpoint. In case of "Room" operating mode, the air temperature is the return air from the servers, while for "Rack" and

# 15 Options

"Row" operating modes, the air temperature is the supply air to the servers.

### 15.3.2 Activating the heaters

To activate the heaters, proceed as follows:

- Assign the "YES" value to the "Resistance present" entry in the "Ha25" menu.

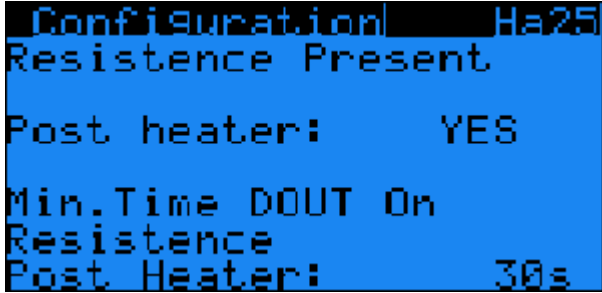


Fig. 53: "Ha25" menu

In order to reduce the heaters ON-OFF and stabilise as much as possible the air temperature, the electric heaters will be switched on at (set-point – Diff ON) and switched off at (set-point – Diff ON + Diff OFF): Diff ON and Diff OFF parameters can be set in the mask Gfc30.

- Set the desired values for the "Diff ON" and "Diff OFF" parameters in the "Gfc30" menu.

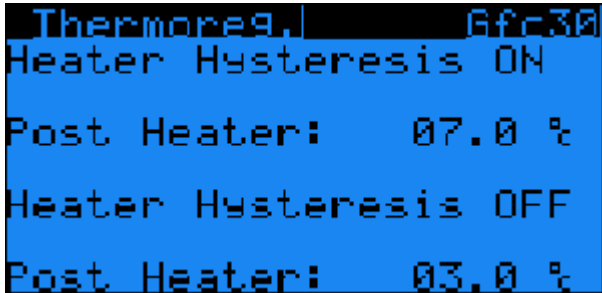


Fig. 54: "Gfc30" menu

The thermal protection is done within an additional small box placed externally to the main electrical box.



Fig. 55: Additional box for the thermal protection of the electrical heaters

### 15.3.3 Technical specifications

Technical specifications	
Power supply	1-phase 230 VAC / 50...60 Hz
Current consumption	9.1 A
Power consumption	2 kW

Tab. 28: Technical specifications of the electrical heaters

## 15.4 Dehumidification

### 15.4.1 General information

At installation locations where high humidity generally prevails, there is the danger that water condenses inside the IT cabinet. This can cause short-circuits and other damage to the installed devices. Excessive humidity can also lead to rust and corrosion.

To prevent this, the LCP DX can be equipped with a dehumidification function, whereby a humidity sensor is mounted on the inlet side of the device and a temperature sensor is mounted behind the evaporator. The "Electrical heaters" option must also be installed (see section 15.3 "Electrical heaters").

### 15.4.2 Activating the dehumidification

To activate the heaters, proceed as follows:

- Assign the "YES" value to the "Enable" entry in the "Ha30" menu.

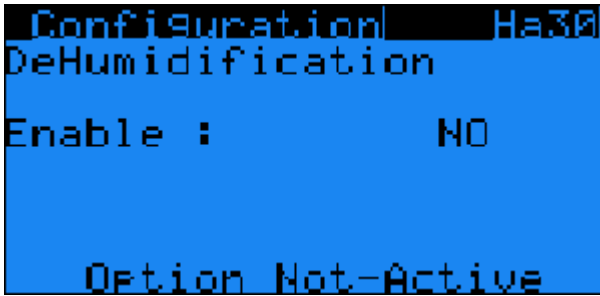


Fig. 56: "Ha30" menu

- Set the setpoint for the humidity in the "B03" menu.

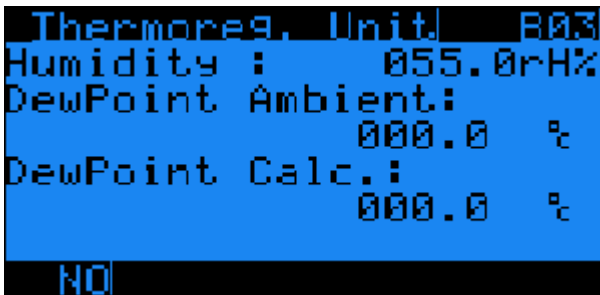


Fig. 57: "B03" menu

- Also activate the electrical heaters (see section 15.3.2 "Activating the heaters").

If the value measured by the humidity sensor is higher than the above-mentioned setpoint, the dehumidification will be activated automatically:

- The compressor is activated to provide condensation at the evaporator.
- The electrical heaters are deactivated only when the air temperature is higher than the specified setpoint (see section 15.3 "Electrical heaters").

When the return air humidity reaches the set-point, dehumidification function is again turned off.

In order to better reach the target of humidity set-point, it is possible to set periods of "dehumidification ON" and "dehumidification OFF" in the mask B05, in case the server room conditions and the required humidity set-point are particularly critical.

- Assign the desired activation and deactivation times to the "dehumidification ON" and "dehumidification OFF" entries in the "B05" menu, respectively.

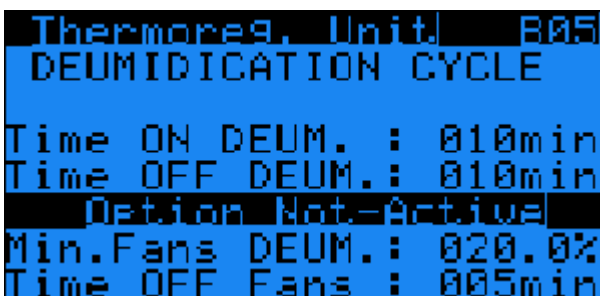


Fig. 58: "B05" menu

### 15.4.3 Installation prerequisites

Any condensate that occurs is then fed to the condensation tray.

- Ensure that the condensate discharge is installed correctly (see section 6.3 "Connecting the condensate discharge").
- Alternatively, connect the optional condensate pump (see section 15.5 "Condensate pump").

## 15.5 Condensate pump

### 15.5.1 General information

If the condensate or water from the humidifier cannot be discharged by gravity from the condensation tray, a condensate pump should be installed. This condensate pump is activated automatically by the LCP DX controller when a level sensor reports the appropriate filling level in the condensation tray.



Note:

The condensate discharge from the condensate pump must not lead directly into the drainage system without first passing through an odour trap. The condensate pump is not a guarantee against blockages or emerging waste water under backpressure.

### 15.5.2 Technical specifications

Technical specifications	
Power supply	1-phase 230 VAC / 50...60 Hz
Current consumption	0.1 A
Power consumption	10 W

Tab. 29: Technical specifications for the condensate pump

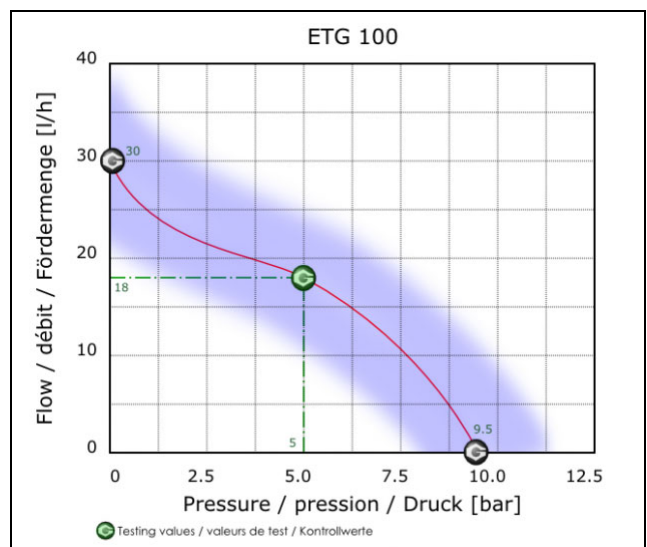


Fig. 59: Power diagram for the condensate pump

### 15.5.3 Installation

- Connect the pump pipe connection (diameter 1/8" M") with an external pipe to discharge the water of the tray.

## 15.6 Low temperature unit

### 15.6.1 General information

As standard, the condenser unit of the LCP DX can be operated at outdoor temperatures as low as -20 °C. If this minimum temperature is undershot (minimum temperature -40 °C), the optional low temperature unit must be deployed.

The low temperature unit consists of the winter kit module and a special condenser unit suitable to work till -40 °C that replaces the 3311.363 standard condenser. The winter kit module consists of a metal box that can also be installed outdoors. The following components are installed in this metal box:

- a liquid receiver
- a speed control for the condenser fans
- a small heater with the associated thermostat to prevent excessively low temperatures in the winter kit module, and
- a non-return valve loose, to be installed in the refrigerant discharge line

The condenser is equipped with special fan motors for deployment at temperatures as low as -40 °C as well as two refrigerant valves that channel off the refrigerant for inadequate pressure in the condenser beforehand.

### 15.6.2 Installation

The winter kit module can be installed near the condenser and connected with copper pipes, diameter  $d=12$  mm, 1 mm thick. The winter kit module must be fastened to the base with the supplied fastening material in accordance with the installation diagram.

- Fasten the winter kit module to the base of the installation location with the supplied fastening material.
- Connect the winter kit module, the condenser and the supplied non-return valve in accordance with the refrigerant scheme (see fig. 72).
- Fill the LCP DX with refrigerant (see section 6.2 "Notes on pipework").



Note:  
When this option is used, the filling volume of the refrigerant increases to 6.0 kg (rather than 5.0 kg).

## 15.7 High temperature condenser

### 15.7.1 General information

As standard, the condenser unit of the LCP DX can be operated at outdoor temperatures as high as +45 °C. If this maximum temperature is overshot (to maximum +53 °C), the optional high temperature condenser that replaces the 3311.363 standard unit must be deployed. For the above-mentioned maximum temperature, the maximum cooling capacity with the optional condenser is 16.3 kW.

### 15.7.2 Installation prerequisites

Note the larger dimensions of the high temperature condenser compared with the 3311.363 standard unit (fig. 67).



Note:  
When this option is used, the filling volume of the refrigerant increases to 5.7 kg (rather than 5.0 kg).

## 15.8 Air filter

### 15.8.1 General information

When the LCP DX is deployed in the "Room" or "Row" operating modes (Inline configuration), it can be equipped with an air filter of the class G3 that prevents contamination, in particular for the evaporator, such as by dust in the air flow.

In addition to the air filter, installed in the rear door, a differential pressure sensor measures the pressure loss through the filter. If this value exceeds the specified threshold, an appropriate warning will be issued. The filter should then be cleaned.

Because the LCP DX can operate with air flows of different strengths, different pressure losses at the filter can result. Therefore, the above-mentioned threshold for the warning message for the associated installation of the LCP DX must be customised accordingly. Otherwise, no warning message will ever be issued for a threshold that is too high, conversely, warning messages will be issued continually for a threshold that is too low.

The following table provides a guide for appropriate setting values.

Fan speed	Setting value
30%	20 Pa
50%	60 Pa
75%	100 Pa
100%	180 Pa

Tab. 30: Assignment of the fan speed to the setting value

### 15.8.2 Setting the threshold

- Set the threshold appropriate for the air flow directly at the adjustment screw of the differential pressure sensor (see Table 30).



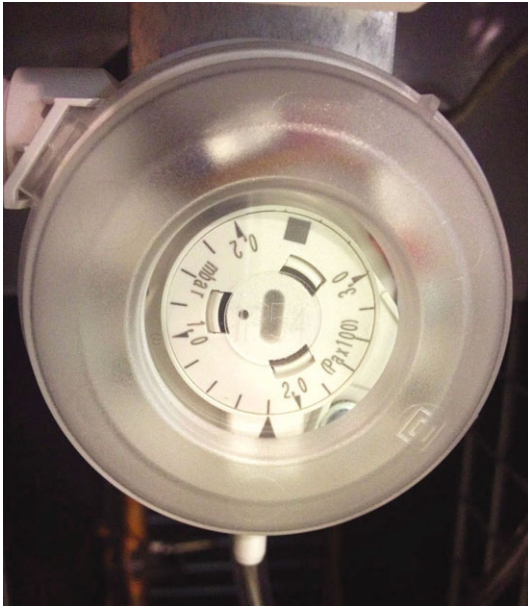


Fig. 60: Adjustment screw at the differential pressure sensor

- Assign the "YES" value to the "Alarm clogged filter" entry in the "Ha20" menu to activate the warning message.

### 15.8.3 Maintenance

- Based on an appropriate and correct setting for the threshold: Clean the air filter with compressed air when a warning message occurs and in regular intervals.
- To do this, blow compressed air against the air-flow direction in the installed state.

## 15.9 Redundancy

### 15.9.1 General information

If more than one LCP DX is installed in the same installation room, they can work independently of each other or together.

No customizations are required for individual control of the devices. The devices can be operated with different parameters and setting values.

In case of Teamwork, the devices can be programmed as follows:

- **Alarm:** If one working unit is in alarm, one of the stand-by LCP-DX automatically starts.
- **Time-based rotation:** After a preset time, one of the running stops and is replaced by one of the stand-by.
- **Missing cooling capacity:** If the required cooling capacity is not achieved with the running devices, additional devices will be started automatically.

### 15.9.2 Installation

- Connect the operating and display elements for a maximum of eight LCP DXs using a twin-core cable.
- Note that the maximum cable length from the first LCP DX to the last LCP DX must not exceed 100 m.

### 15.9.3 Activating the redundancy

- Assign the "YES" value to the "Enable rotation" entry to all LCP DX devices of the group in the "Ha11" menu.

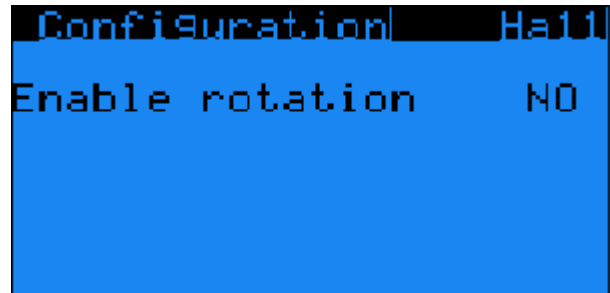


Fig. 61: "Ha11" menu

The following settings are displayed in the "Ha12" menu on the master unit that controls the complete group.

Parameter	Explanation
Devices Number	Number of LCP DX devices in the group.
Min. Devices Number	Minimum number of LCP DX devices of the group that are always activated.
Sel. Probes Regulation	"Average Probes": The closed-loop control is made with the average value of all activated devices of the group. "Master": The closed-loop control is made with the master unit.
Rotation Time	Time after which one device is switched off and another device is started automatically.

Tab. 31: Settings in the Ha12 menu

If only two LCP DX devices are connected to form a group for which one device is activated and one device is in stand-by:

- **Always** assign the "Average" value to the "Sel. Probe Regulation" entry in the "Ha12" menu.

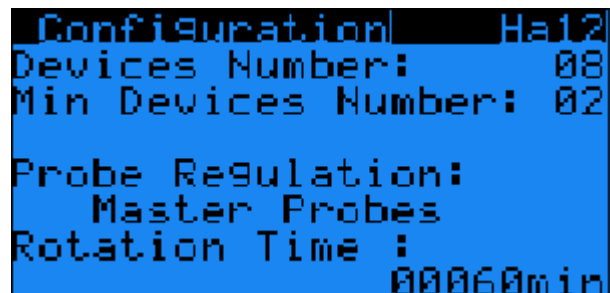


Fig. 62: "Ha12" menu

When the redundancy for missing cooling capacity is provided, a temperature band for all LCP DX devices of the group is split up which are activated closer the temperature is to the set-point + band.

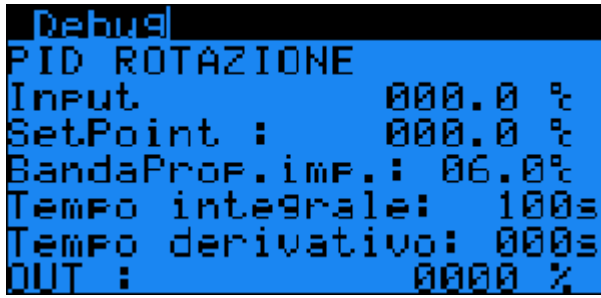


Fig. 63: "Debug" menu

#### 15.9.4 Installation prerequisites

No additional software is required for redundancy operation. For previously installed devices, it must be guaranteed that the correct version of the software is present.

## 16 Further technical information

### 16.1 Coolant information



**Caution!**

**The LCP DX may only be operated with coolant R410A. Use of any other coolant will invalidate the guarantee.**



**Caution! Risk of malfunction or damage!**

**Installation, and in particular the coolant line pipework between the external condenser and the LCP DX, must only be carried out by trained, qualified and accredited cooling system specialists.**

To avoid damage to the device, Rittal prescribes the use of coolant R410A.

R410A is virtually azeotropic and is comprised of equal parts of R32 and R125. The basic properties of R410A are:

- No ozone depletion potential
- Clear
- Liquefied gas smelling of ether
- Non-combustible
- Low toxicity

Property	Value
Composition	50%: R32 (CH <sub>2</sub> F <sub>2</sub> ) 50%: R125 (C <sub>2</sub> HF <sub>5</sub> )
Molar mass [g/mol]	72.585
Boiling point [°C]	-52.7
Vapour pressure [bar]	12.46 at 15 °C
Relative density	1.11 at 15 °C

Tab. 32: Material data for R410A



**Note:**

Safety data sheets are available as downloads on [www.rittal.com](http://www.rittal.com).

### 16.2 Cooling output

Due to the device configuration comprising two sub-units, and the partially linear operation of the components (fan, inverter-controlled compressor), the cooling output of the device is dependent on various factors:

- External temperature at the installation site of the external condenser
- Heat loss from the server enclosure
- Inlet temperature of hot air into the LCP DX
- Settings

Ambient temperature [°C]	45	35	30	20	10
Server air outlet temperature [°C]	35	35	35	35	35
Server air inlet temperature [°C]	22	22	22	22	22
Cooling capacity [kW]	16.7	20.0	21.6	24.5	25.4
Total power input [kW]	8.8	7.3	6.6	5.4	5.1

Tab. 33: Cooling outputs



**Note:**

For specific selection, please refer to your Rittal contacts.



# 16 Further technical information

## 16.3 Overview drawing

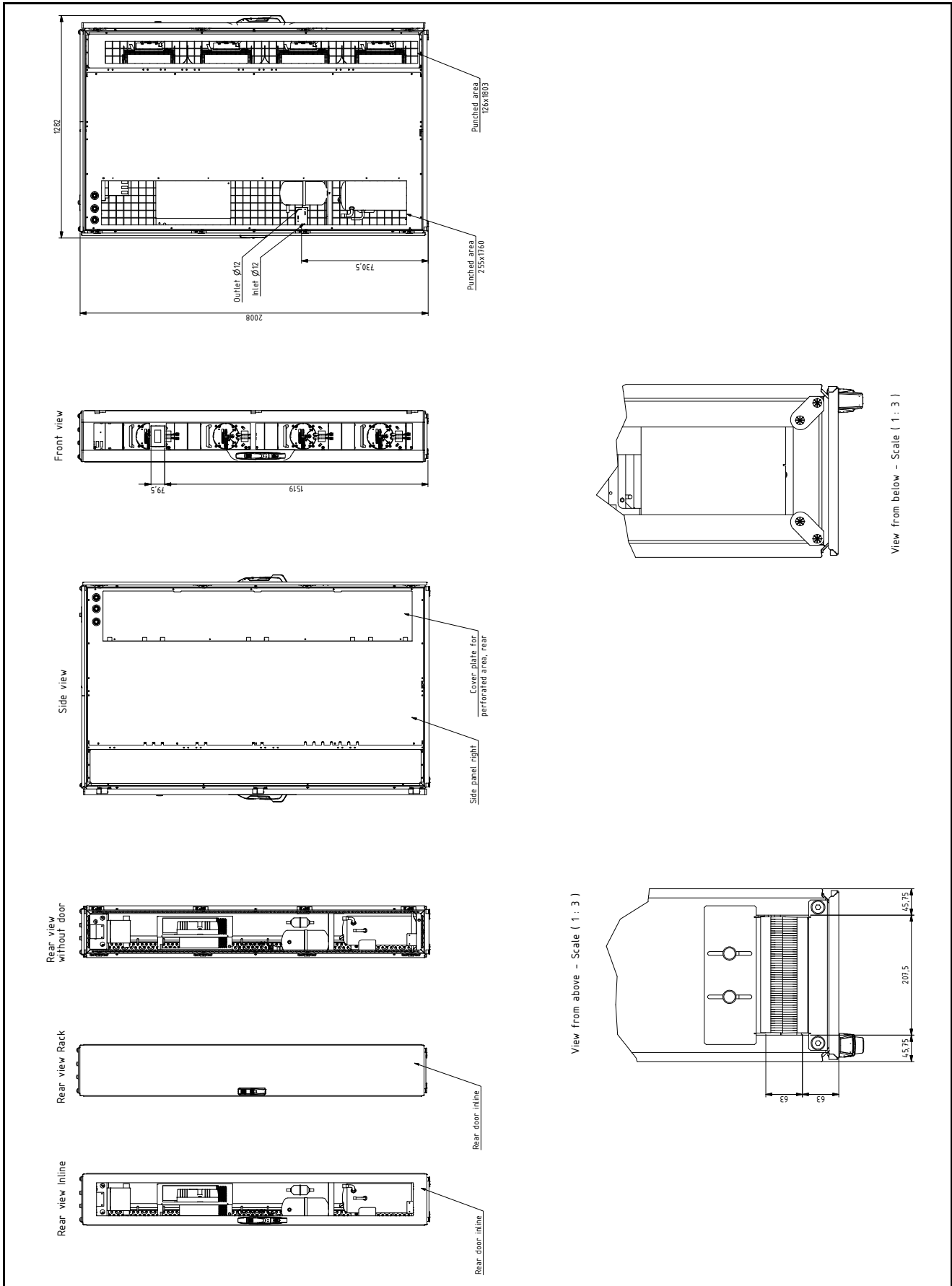


Fig. 64: Overview drawing 1 of the LCP DX (depth 1200 mm)

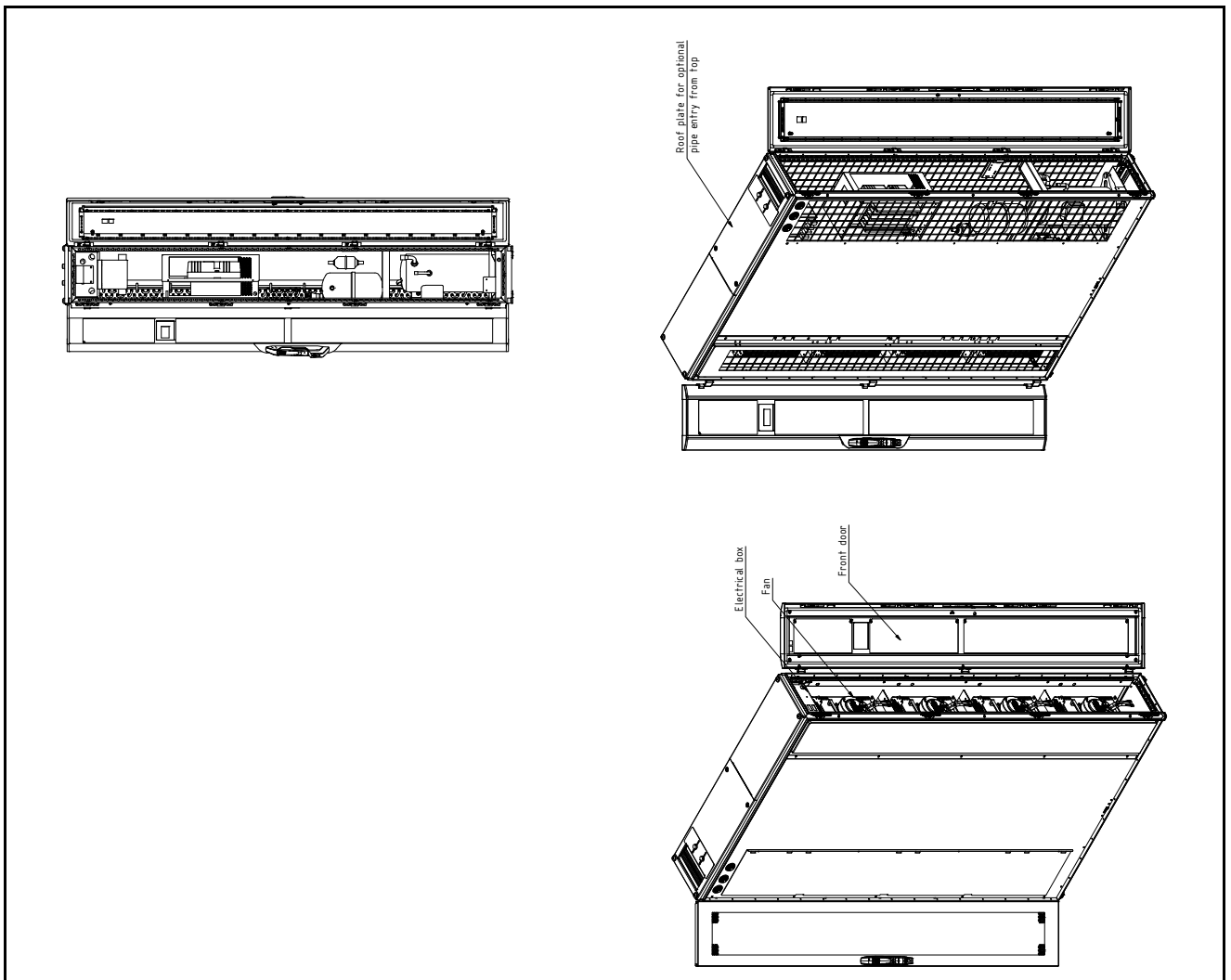


Fig. 65: Overview drawing 2 of the LCP DX (depth 1200 mm)

# 16 Further technical information

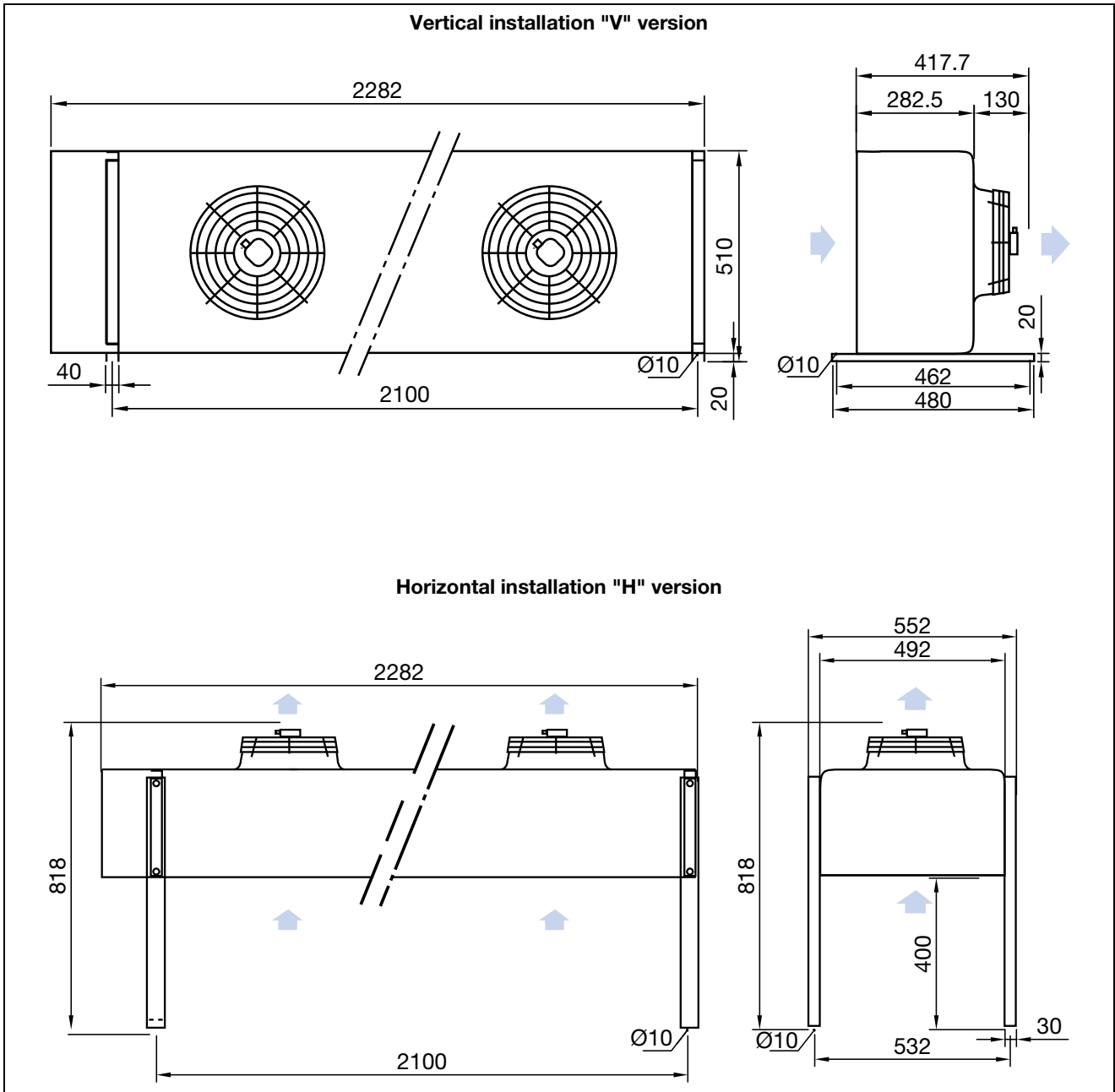


Fig. 66: Installation diagram of the standard condenser

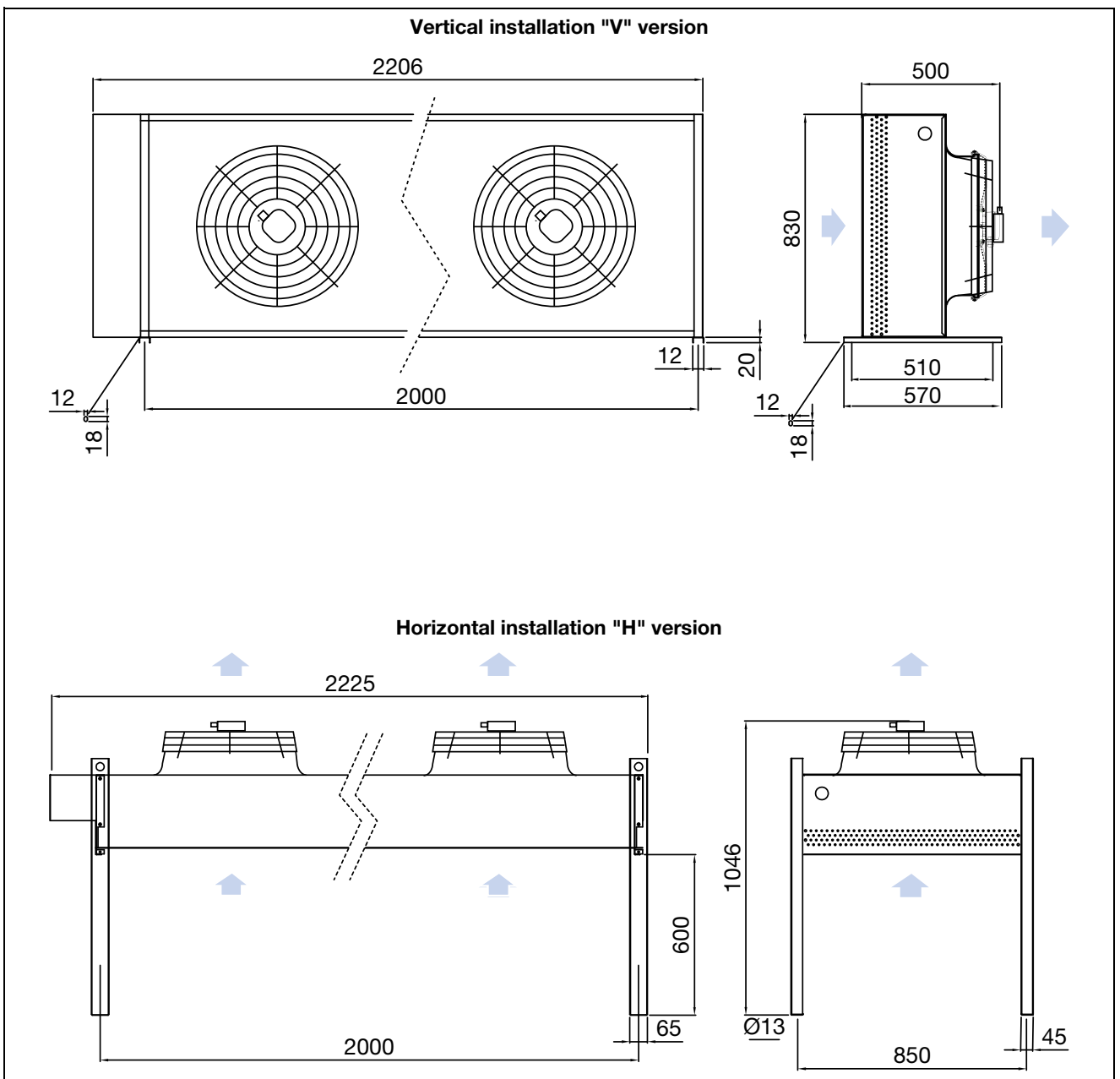


Fig. 67: Installation diagram of the high temperature condenser

# 16 Further technical information

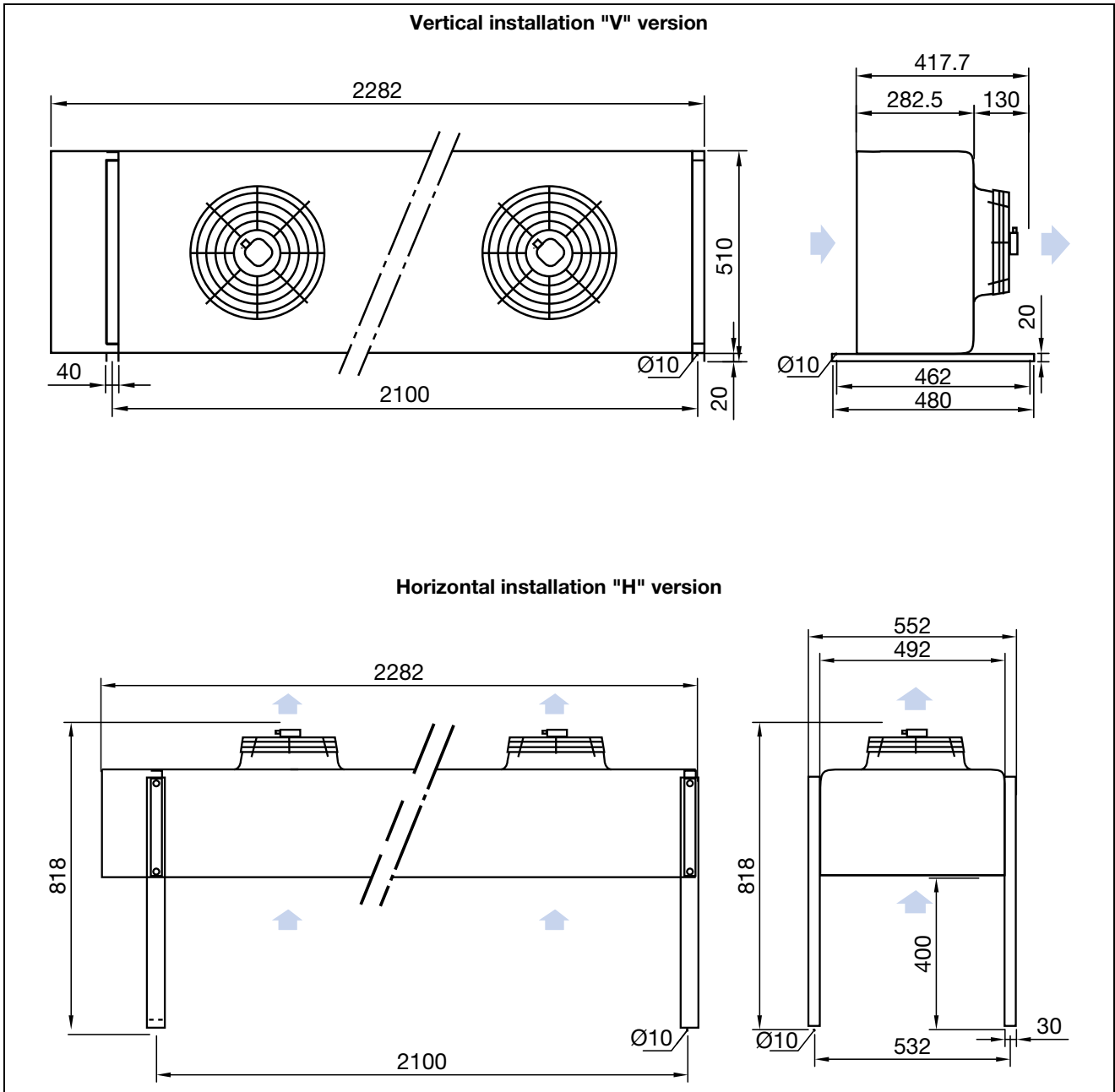


Fig. 68: Installation diagram of the low temperature condenser

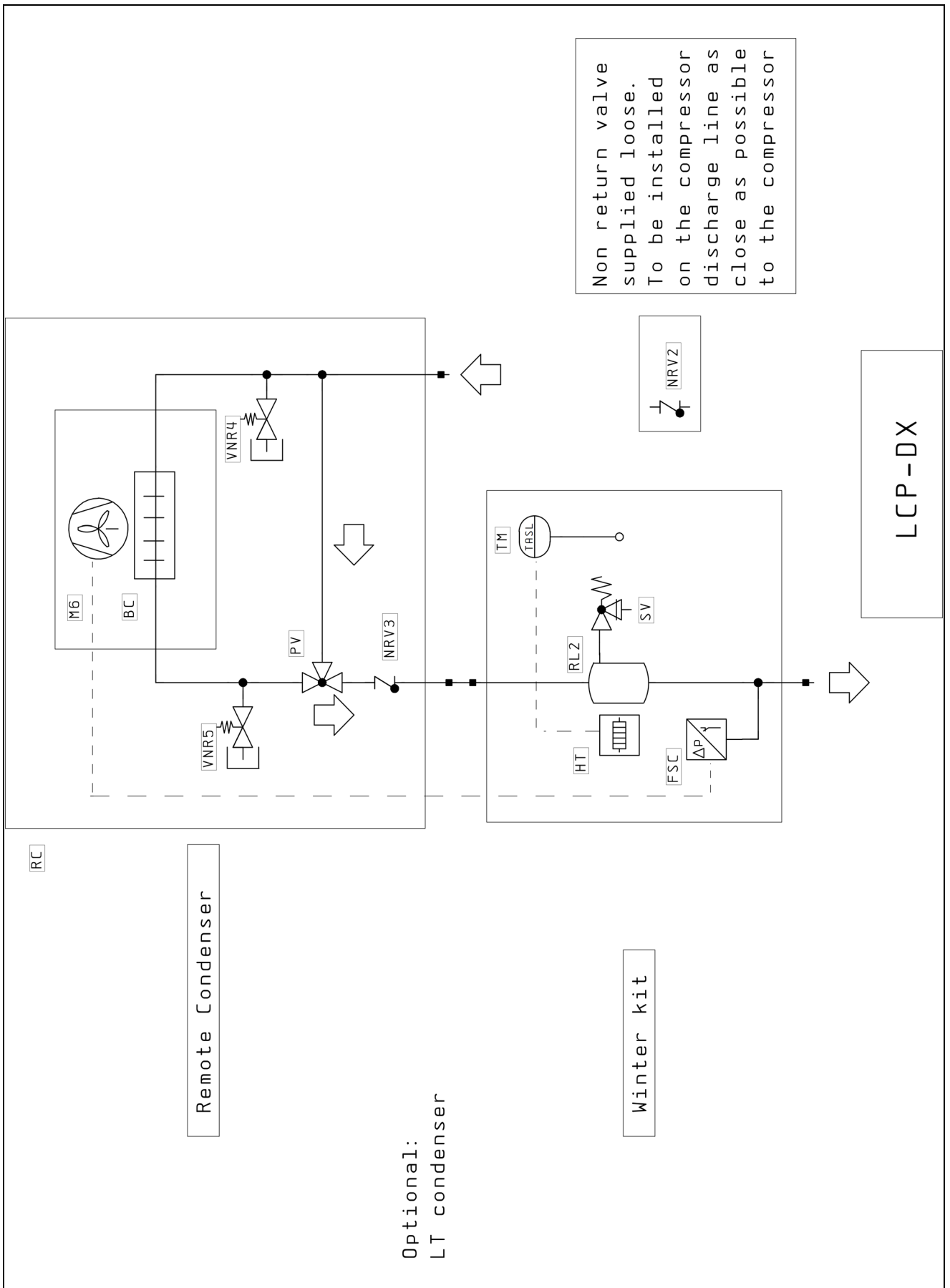


Fig. 69: Refrigerant scheme low temperature unit

# 16 Further technical information

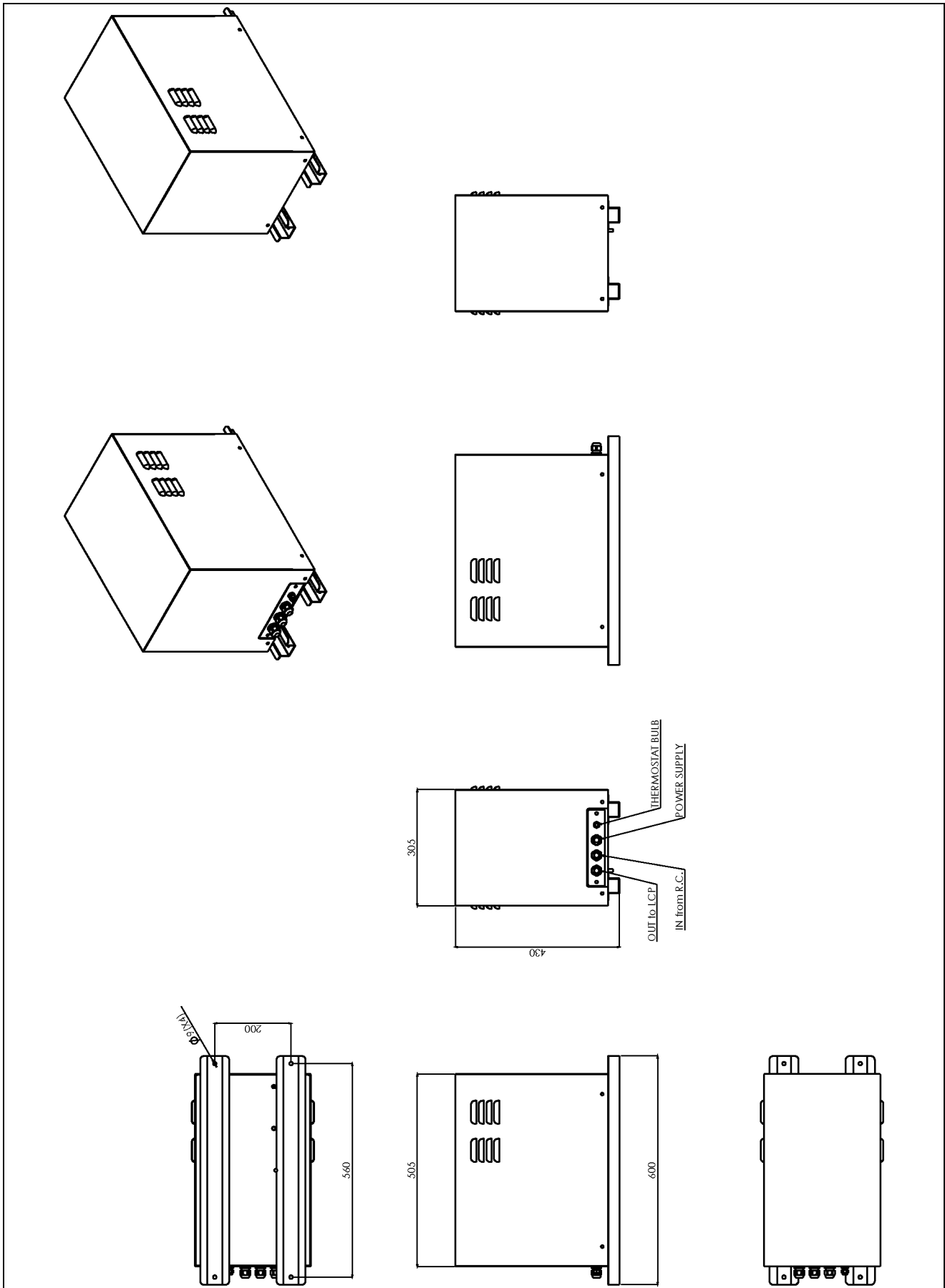


Fig. 70: Installation scheme winter kit module (low temperature unit)







Stückliste / Bill of material

RICRIT1 11. 07. 2003

Bezeichnung	Menge	SI	Artikelnummer	Beschreibung	Hersteller	Interne Artikel. Nr.	S/P
RL	1	Nr	918106	RICLIO 1.6 FRIGOHEC 140.0245. A	FRIGO MEC SPA	918106	3. 1
F1	1	Nr	DML084	FILTER DEIOR DANFOSS DML084	DANFOS	916284	3. 1
RG1	1	Nr	6420/M12	VALV LIO CASTEL 6420-M12	CASTEL SR	88M0004130	3. 2
NRV	1	Nr	NRV12s	NO RETURN VALVE DANFOSS NRV12s R410A	DANFOS	919833	3. 2
EEV	1	Nr	E2V2HUSF10	VALVEXP ELETTR CAREL E2V2HUSF10	CAREL	918099	3. 2
RL	1	Nr	R30250-R040-R1	RADIAL FRN EBM R30250-R040-R1	EBM	919746	3. 3
B5	1	Nr	NTC060HP00	PROBE-TEMP NTC CAREL NTC060HP00	CAREL	TSC0000283	3. 3
B2	1	Nr	NTC060HP00	PROBE-TEMP NTC CAREL NTC060HP00	CAREL	TSC0000283	3. 3
BE	1	Nr	919688	HEX F-TUB EV 2522C0 72 4 25 190 12 R085	EUROCOIL SPA	919367	3. 3
M2	1	Nr	R30250-R040-R1	RADIAL FRN EBM R30250-R040-R1	EBM	919746	3. 3
B7	1	Nr	NTC060HP00	PROBE-TEMP NTC CAREL NTC060HP00	CAREL	TSC0000283	3. 4
B3	1	Nr	NTC060HP00	PROBE-TEMP NTC CAREL NTC060HP00	CAREL	TSC0000283	3. 4
M3	1	Nr	R30250-R040-R1	RADIAL FRN EBM R30250-R040-R1	EBM	919746	3. 4
B8	1	Nr	NTC060HP00	PROBE-TEMP NTC CAREL NTC060HP00	CAREL	TSC0000283	3. 4
B4	1	Nr	NTC060HP00	PROBE-TEMP NTC CAREL NTC060HP00	CAREL	TSC0000283	3. 4
M4	1	Nr	R30250-R040-R1	RADIAL FRN EBM R30250-R040-R1	EBM	919746	3. 4
B10	1	Nr	NTC060HP00	PROBE-TEMP NTC CAREL NTC060HP00	CAREL	902230	3. 4
LPT	1	Nr	SPKT0043R0	TRASD-PRES -1+17.3bar CAREL SPKT0043R0	CAREL	918015	3. 5
LPT	1	Nr	A000013423	CABLE WIRED SK3232XXX TRANSDUCER	CAREL	TRZ0010941	3. 5
M5	1	Nr	SNB172FEKMT	COMP ROTATIVE MITSUBISHI SNB172FEKMT	MITSUBISHI	918086	3. 6
RG2	1	Nr	6420/M12	VALV LIO CASTEL 6420-M12	CASTEL SR	88M0004130	3. 6
VNR1	1	Nr	IGH 1BR 6. 2	SCHRADER VALVE BODY 1BR 6. 2	VERCO VERONA SRL	B5M0003473	3. 7
VNR1	1	Nr	IGH GMM 1/4 SAE	SCHRADER VALVE PIN	HURTH SRL	B5M0003473	3. 7
VNR1	1	Nr	IGH GMM 1/4 SAE	SCHRADER VALVE PIN	VERCO VERONA SRL	B5M0003476	3. 7
VNR2	1	Nr	IGH 1BR 6. 2	SCHRADER VALVE BODY 1BR 6. 2	VERCO VERONA SRL	B5M0003473	3. 7
VNR2	1	Nr	IGH GMM 1/4 SAE	SCHRADER VALVE PIN	HURTH SRL	B5M0003474	3. 7
VNR2	1	Nr	IGH GMM 1/4 SAE	SCHRADER VALVE PIN	VERCO VERONA SRL	B5M0003476	3. 7
B9	1	Nr	NTC060HT00	PROBE-TEMP NTC CAREL NTC060HT00	CAREL	918014	3. 7
HPT	1	Nr	SPKT0086R0	TRASD-PRES +0+45 bar CAREL SPKT0086R0	CAREL	918016	3. 7
HPT	1	Nr	A000013423	CABLE WIRED SK3232XXX TRANSDUCER	CAREL	TRZ0010941	3. 7
PA	1	Nr	ACB-2UB515W	PRESSHP PSRH FISS 42	DANFOS	916189	3. 7

Fig. 73: Parts list, piping and instrumentation diagram

# 17 Glossary

---

## 17 Glossary

1 U server:

1 U servers are very flat and deep, modern high performance servers, whose height corresponds to one height unit (1 U = 44.54 mm, the smallest standard height division). Typical dimensions are (W x D x H) 482.6 mm (19") x 800 mm x 1 U.

These systems normally include 2 CPUs, many GB RAM and hard drives, so that they require up to 100 m<sup>3</sup>/h cooling air at a maximum of 32 °C.

482.6 mm (19") level:

The front sides of the devices built into the server enclosure form the 482.6 mm (19") level.

Blade server:

By orienting dual CPU systems vertically and placing up to 14 units on a common backplane to provide for signal routing and power supply, one has a blade server.

Blade servers can "generate" up to 4.5 kW heat loss per 7 U and 700 mm depth.

"Front to back" cooling principle:

The devices built into the server enclosure are normally cooled according to the "front to back" cooling principle.

Under this cooling principle, cold air supplied by external air conditioning is blown to the front of the server enclosure. The fans in the devices built into the server enclosure direct this air horizontally through the server enclosure. The air is warmed through this process and is exhausted out of the rear of the enclosure.

Hotspot:

A hotspot is the concentration of thermal energy in a small area.

Hotspots normally lead to local overheating and can cause system malfunctions.

Switch:

Multiple servers normally communicate with one another and in the network using switches.

Because as many inputs as possible are located on the front of switches, they frequently have an airflow from the side, not "front to back" cooling.

Hysteresis:

If an upper limit value is overshoot (SetPtHigh) or a lower limit value is undershoot (SetPtLow) a warning or an alarm will be output **immediately**. For a hysteresis of x%, the warning or alarm for undershooting an upper limit value or overshooting a lower limit value clears only for a difference of  $x/100 \cdot \text{limit value}$  to the limit value.

## **18 Customer service addresses**

For technical questions, please contact:

Tel.: +49(0)2772 505-9052

E-mail: [info@rittal.de](mailto:info@rittal.de)

Homepage: [www.rittal.com](http://www.rittal.com)

For complaints or service requests, please contact:

Tel.: +49(0)2772 505-1855

E-mail: [service@rittal.de](mailto:service@rittal.de)

Rittal GmbH & Co. KG

Auf dem Stützelberg

35745 Herborn

Germany

# Rittal – The System.

Faster – better – everywhere.

- Enclosures
- Power Distribution
- Climate Control
- IT Infrastructure
- Software & Services

You can find the contact details of all Rittal companies throughout the world here.



[www.rittal.com/contact](http://www.rittal.com/contact)

RITTAL GmbH & Co. KG  
Auf dem Stuetzelberg · 35745 Herborn · Germany  
Phone +49 2772 505-0  
E-mail: [info@rittal.de](mailto:info@rittal.de) · [www.rittal.com](http://www.rittal.com)

12.2021

ENCLOSURES

POWER DISTRIBUTION

CLIMATE CONTROL

IT INFRASTRUCTURE

SOFTWARE & SERVICES

FRIEDHELM LOH GROUP

