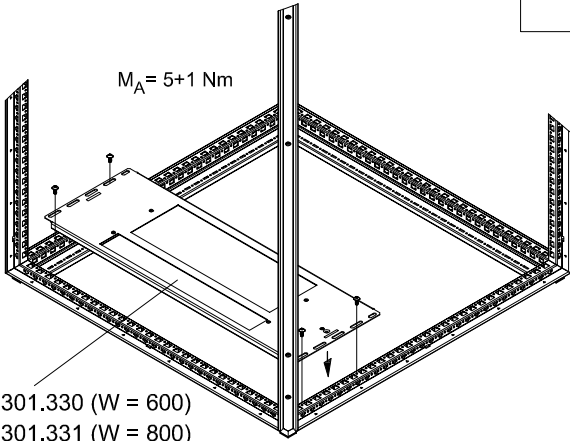


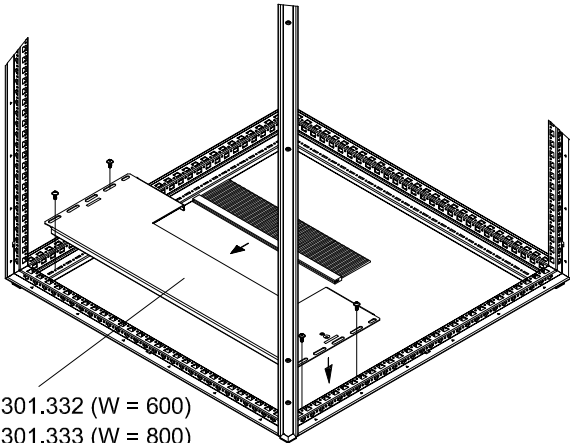
TX30



$M_A = 5+1 \text{ Nm}$



VX IT 5301.330 (W = 600)  
VX IT 5301.331 (W = 800)



VX IT 5301.332 (W = 600)  
VX IT 5301.333 (W = 800)



VX IT

Raum für Verpackungsdatum  
Area for date of packing  
( MMJJTT / MMYDD )

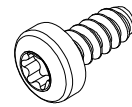
5301.330  
5301.331

5301.332  
5301.333

5301.334  
5301.335

5301.348

4x

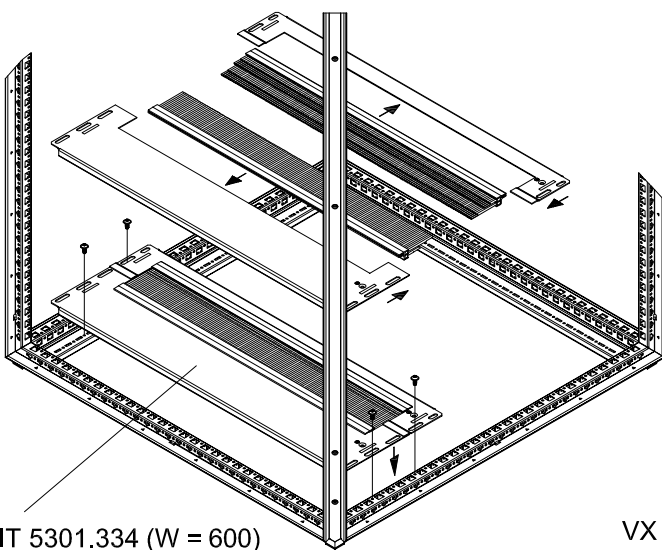


5,5x13

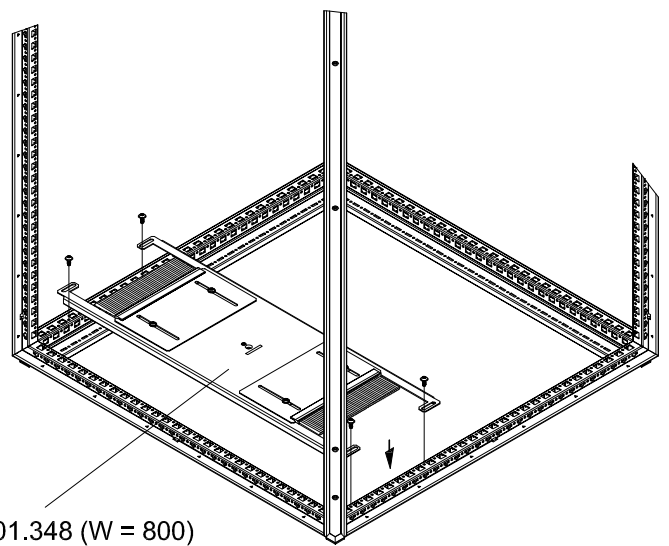
Dok.-Nr. / No. of doc.: A09378300VX

Versandbeutel-Nr. / No. of accessory bag : 377842

Lieferanten-Nr. / No. of supplier:



VX IT 5301.334 (W = 600)  
VX IT 5301.335 (W = 800)



VX IT 5301.348 (W = 800)