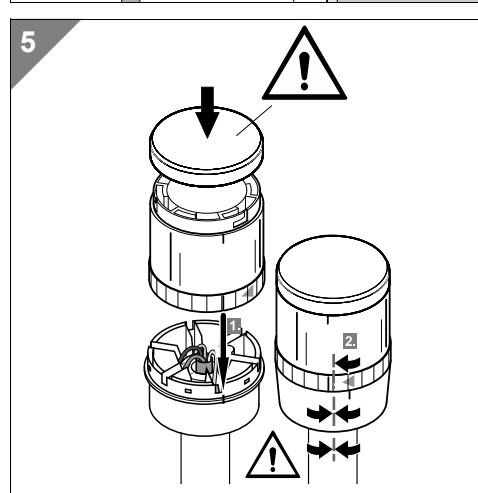
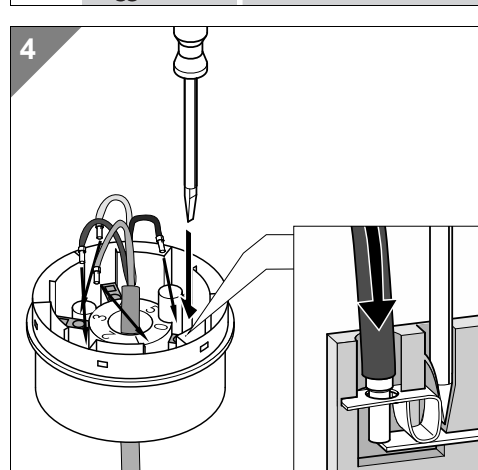
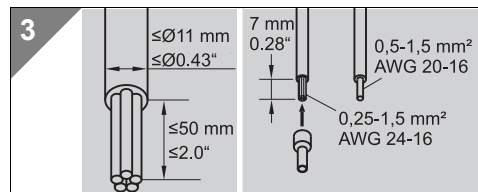
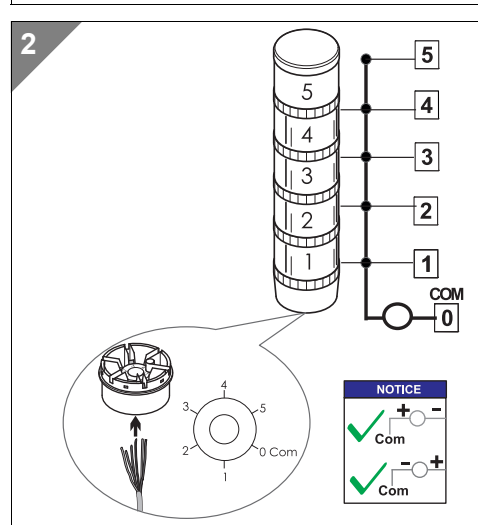
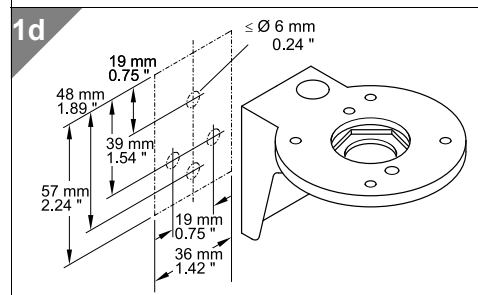
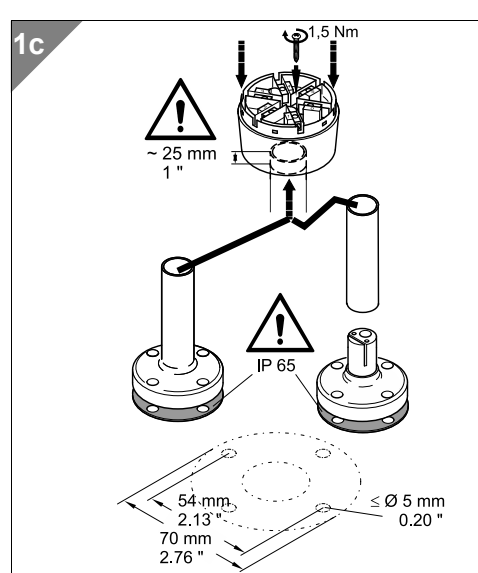
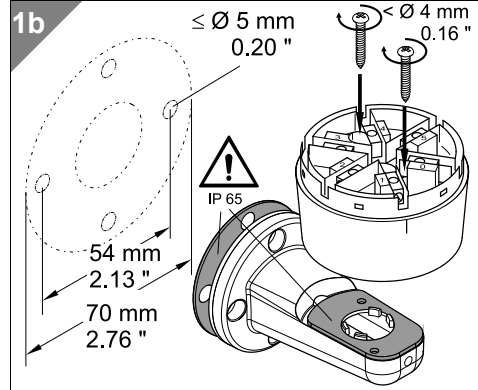
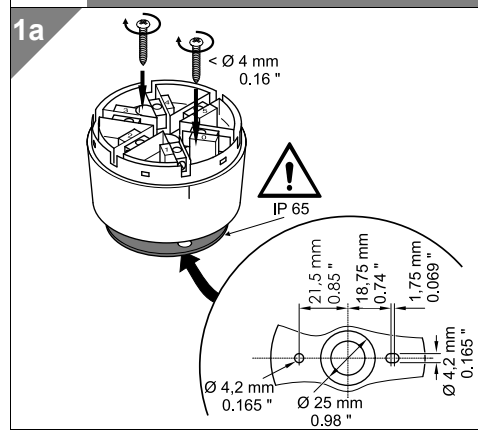


Terminal-element	SG 2368.001 SG 2368.002	12-230 V $\approx$
LED-Permanent light	SG 2370.151	230 V $\sim$ < 35 mA
	SG 2372.001	24 V $\approx$ < 35 mA
	SG 2370.161	230 V $\sim$ < 35 mA
	SG 2372.011	24 V $\approx$ < 25 mA
	SG 2370.171	230 V $\sim$ < 35 mA
	SG 2372.021	24 V $\approx$ < 30 mA
	SG 2372.031	24 V $\approx$ < 30 mA
SG 2370.041	24 V $\approx$ < 25 mA	

LED-Blinking light	SG 2370.551	230 V $\sim$ < 35 mA
	SG 2370.501	24 V $\approx$ < 25 mA
	SG 2370.571	230 V $\sim$ < 35 mA
	SG 2370.511	24 V $\approx$ < 25 mA
	SG 2370.521	24 V $\approx$ < 30 mA
	SG 2370.531	24 V $\approx$ < 30 mA
SG 2370.541	24 V $\approx$ < 30 mA	
Flashing light	SG 2371.001	24 V $\approx$ < 35 mA
	SG 2371.021	24 V $\approx$ < 35 mA
$\leq 105$ dB Buzzer element	SG 2376.001	24 V $\approx$ < 40 mA
	SG 2376.021	230 V $\sim$ < 60 mA
$\leq 102$ dB Buzzer element	SG 2376.011	24 V $\approx$ < 30 mA
	SG 2376.031	230 V $\sim$ < 45 mA

1a: SG 2368.002  
 1b: SG 2368.002 + SG 2374.040  
 1c: SG 2368.001 + SG 2374.000,  
 SG 2374.020, SG 2374.030, SG 2374.010  
 1d: SG 2374.050



6

**WARNING**

**NOTICE**

$\leq 105$  dB

dB = dB A (SPL) 1m

6a

SG 2376.001  
SG 2376.021

\* = Default setting

95-105dB

3kHz

2,3 - 3kHz

95 dB

105 dB

6b

SG 2376.011  
SG 2376.031

\* = Default setting

DIP 1

OFF max.dB(A)

ON -10dB(A)

DIP 2 3 4

max.dB(A)

OFF	ON	2.8 kHz	102
OFF	ON	0.9 kHz	96
OFF	ON	2.8 kHz	96
OFF	ON	0.9 kHz	92
OFF	ON	2.8 kHz	102
OFF	ON	0.9 kHz	96
OFF	ON	2.8 kHz	102
OFF	ON	2.3 kHz	102
OFF	ON	3.6 kHz	102

Technische Änderungen vorbehalten  
 Subject to technical modifications  
 Sous reserve de modifications techniques

150000001093\_AA  
 310.610.006



RITTAL GmbH & Co. KG  
 Auf dem Stützelberg  
 D- 35745 Herborn  
 Telefon 02772 505 0  
 Telefax 02772 505 2319  
 e-Mail: info@rittal.de

343524 D-0000-00002219REV01