

Rittal – The System.

Faster – better – everywhere.

Rittal Signal Pillar Systems

For real-time display of operating statuses



ENCLOSURES

POWER DISTRIBUTION

CLIMATE CONTROL

IT INFRASTRUCTURE

SOFTWARE & SERVICES



FRIEDHELM LOH GROUP

Signal pillars

Plug-and-play or individually configurable



Identify problems immediately

- Identify malfunctions and operating statuses in machines and automated processes immediately with Rittal's flexible range of signal pillars to suit all applications.



Select according to your needs

- If you only need three standard signal colours, the plug-and-play 3-way LED signal system is the ideal choice.
- For specific applications requiring individual combinations of up to five different signal colours, the configurable modular system is the answer.
- Choose from five optical components and four acoustic components each in 24 V AC/DC or 230 V.
- The label panel allows clear labelling of up to five optical components.



Application-appropriate installation

- Whether wall or base mounting, on a flat substructure or angled on support arm systems, our extensive range of accessories can accommodate all application-specific installation requirements with maximum flexibility.



Signal pillars at a glance

Plug-and-play system



Signal pillar, 3-way LED



For wall/base mounting



For conduit mounting

Model No.	
2372.102	2372.101

- 1 LED steady light component 24 V AC/DC, < 35 mA
- 2 LED steady light component 230 V, < 35 mA
- 3 LED flashing light component 24 V AC/DC
- 4 LED flashing light component 230 V
- 5 Stroboscopic light component 24 V (DC), < 35 mA
- 6 Acoustic component 24 V AC/DC, 95 – 105 dB (continuous tone or pulsating)
- 7 Acoustic component 24 V AC/DC, 102 dB (adjustable volume and choice of 8 sounds)
- 8 Acoustic component 230 V, 95 – 105 dB (continuous tone or pulsating)

- 9 Acoustic component 230 V, 102 dB (adjustable volume and choice of 8 sounds)
- 10 Mounting component for support arm system CP 40, steel
 - Angle piece 90° 6501.140
- 11 Mounting component for support arm system CP 60
 - Angle adaptor 90° for support arm combination CP 60 to CP 40 6206.640
 - Angle coupling 90° 6206.380
 - Angle piece 90° 6206.600
 - Intermediate hinge 6206.620
 - Wall-mounted hinge 6206.740
 - Top-mounted joint 6206.700

- 12 Mounting component for support arm system CP 120
 - Angle coupling 90° 6212.380
 - Angle piece 90° 6212.600
 - Intermediate hinge 6212.620
 - Wall-mounted hinge 6212.740
 - Top-mounted joint 6212.700
- 12 Mounting component for support arm system CP 180
 - Angle piece 90° 6218.600
 - Top-mounted joint 6218.700

Label panel



Model No.

2374.150

Mounting component for conduit mounting



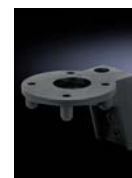
Base with integral conduit, Ø 25 mm, 110 mm long



Individual base



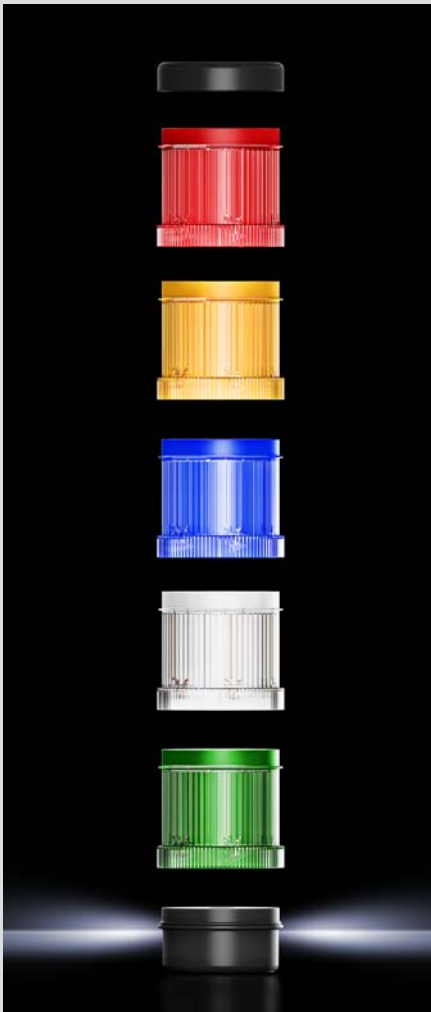
Individual conduit, 250 mm long



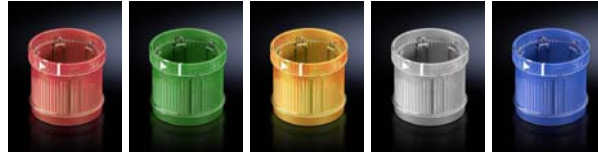
Angle bracket for conduit mounting

Model No.				
2374.000	2374.010	2374.020	2374.030	2374.050

Modular system



Optical component for signal pillar, modular



Red Green Yellow Clear Blue

Model No.					
1	2372.001	2372.011	2372.021	2372.031	2372.041
2	2370.151	2370.161	2370.171	-	-
3	2370.501	2370.511	2370.521	2370.531	2370.541
4	2370.551	-	2370.571	-	-
5	2371.001	-	2371.021	-	-

Acoustic component



Model No.	
6	2376.001
7	2376.011
8	2376.021
9	2376.031

Connection component for signal pillar, modular



For conduit mounting



For wall/base mounting

Model No.	
2368.001	2368.002

Mounting component for support arm systems



10

11

12

Model No.

2375.030

6206.900

6212.900

Mounting component for wall/base mounting



Bracket for connection component



For side cable outlet

Model No.

2374.040

2374.080

Signal pillars



Signal pillar, 3-way LED

Benefits:

- Complete plug-and-pay solution
- Extremely long service life of the LEDs (max. 100,000 hours, therefore maintenance-free)
- Minimal assembly work and warehousing costs

Technical specifications:

- 3-stage: red, yellow and green
- Operating voltage: 24 V AC/DC
- Electrical connection: Screwless spring terminals
- Lamp: LED
- Transmission angle: 3 x 120°
- Operating temperature: -20 °C...+50 °C
- Flashing function: Controllable via PLC
- Cable entry: Metric screwed cable gland M12 x 1.5 for cable diameter 3.0 – 6.5 mm

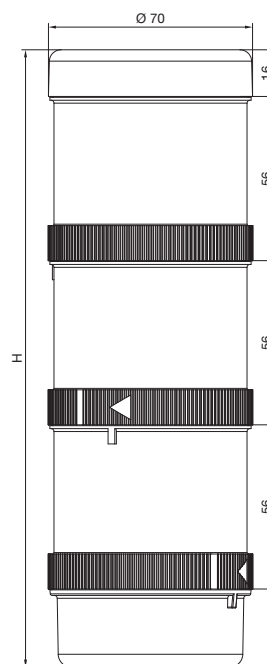
Protection category IP to IEC 60 529:

- IP 65

Design	Packs of	H mm	Model No.
for conduit mounting	1 pc(s).	210.5	2372.101
for base mounting	1 pc(s).	212.0	2372.102

+ Accessories:

- Mounting component, see page 9/10
- Label panel, see page 11



Signal pillar, modular

Benefits:

- Simple assembly and contact using bayonet fastener
- Configuration of up to five components with the same voltage
- Flashing and stroboscopic light component including lamp, for direct use
- Components available in a range of colours and voltages

For modular configuration of

- Connection components
- Optical components
- Acoustic components
- Label panel



Connection component

for signal pillar, modular

- Optionally for conduit or wall/base mounting
- Screwless spring terminals in the connection component
- With cover for optical components
- Contact hazard protection to VDE
- 12 – 230 V AC/DC

Material:

- Polyamide enclosure

Colour:

- Black

Protection category IP to IEC 60 529:

- IP 65

Connection component	Model No.
for conduit mounting	2368.001
for wall/base mounting	2368.002

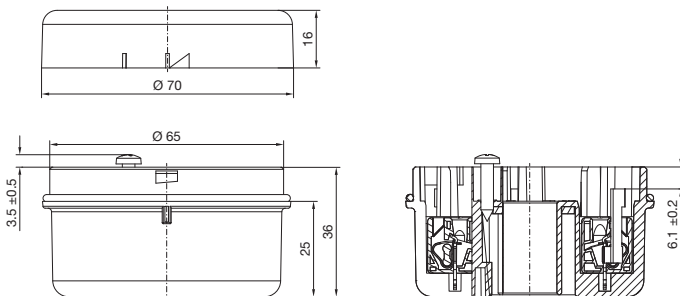


Accessories:

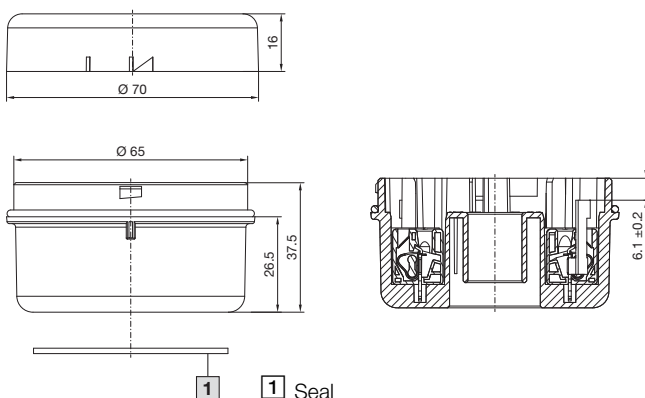
- Mounting component, see page 9/10



Connection component for conduit mounting 2368.001



Connection component for wall/base mounting 2368.002



Signal pillars



Optical component

for signal pillar, modular

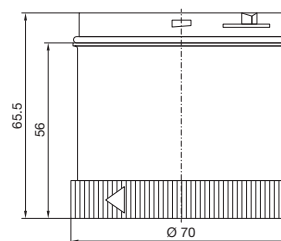
- With 360° signal transmission thanks to optimised prism system
- No. of potential stages = 5 components, with identical voltage

Material:

- Enclosure: Polyamide
- Spherical cap: Transparent polycarbonate

Protection category IP to IEC 60 529:

- IP 65, provided a cover or acoustic component is fitted at the top



LED steady light component 24 V AC/DC, < 35 mA

Model No.				
Red	Green	Yellow	Clear	Blue
2372.001	2372.011	2372.021	2372.031	2372.041

LED steady light component 230 V, < 35 mA

Model No.				
Red	Green	Yellow	Clear	Blue
2370.151	2370.161	2370.171	-	-

LED flashing light component 24 V AC/DC, < 30 mA

Model No.				
Red	Green	Yellow	Clear	Blue
2370.501	2370.511	2370.521	2370.531	2370.541

LED flashing light component 230 V, < 35 mA

Model No.				
Red	Green	Yellow	Clear	Blue
2370.551	-	2370.571	-	-

Stroboscopic light component 24 V (DC), < 35 mA

Model No.				
Red	Green	Yellow	Clear	Blue
2371.001	-	2371.021	-	-

Mounting component for wall/base mounting

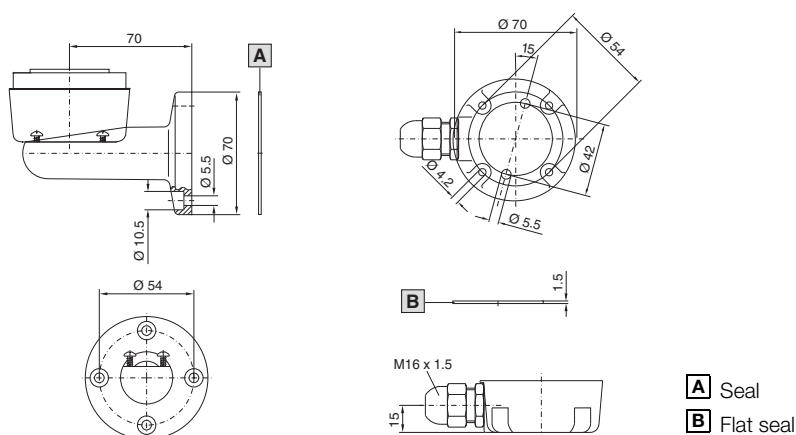
Fig.	Mounting component	Colour	Model No.
1	Bracket for connection component	Black	2374.040
2	For side cable outlet	Black	2374.080

! Also required:

- With the modular system for wall/base mounting:
Connection component 2368.002, see page 7



Bracket for connection component For side cable outlet



Mounting component for support arm systems

For external mounting of a signal pillar on the plastic cover of support arm components.

Fig.	Mounting component	Colour	Model No.
3	For support arm system CP 40, steel – Angle piece 90° 6501.140	RAL 7024 (graphite grey)	2375.030
4	For support arm system CP 60 – Angle adaptor 90° for support arm combination CP 60 to CP 40 6206.640 – Angle coupling 90° 6206.380 – Angle piece 90° 6206.600 – Intermediate hinge 6206.620 – Wall-mounted hinge 6206.740 – Top-mounted joint 6206.700	RAL 7024 (graphite grey)	6206.900
5	For support arm system CP 120 – Angle coupling 90° 6212.380 – Angle piece 90° 6212.600 – Intermediate hinge 6212.620 – Wall-mounted hinge 6212.740 – Top-mounted joint 6212.700	RAL 7024 (graphite grey)	6212.900
	For support arm system CP 180 – Angle piece 90° 6218.600 – Top-mounted joint 6218.700	RAL 7024 (graphite grey)	6212.900

! Also required:

- With the modular system for conduit mounting:
Connection component 2368.001, see page 7



Signal pillars



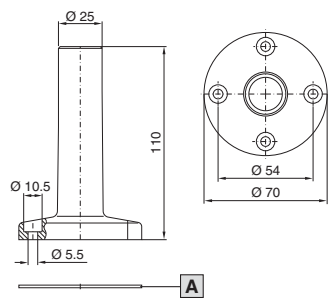
Mounting component for conduit mounting

Fig.	Mounting component	Colour	Model No.
6	Base with integral conduit, Ø 25 mm, 110 mm long	Black	2374.000
7	Individual base	Black	2374.010
8	Individual conduit, 250 mm long	Aluminium	2374.020
	Individual conduit, 400 mm long	Aluminium	2374.030
9	Angle bracket for conduit mounting	Black	2374.050

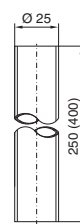
! Also required:

- With the modular system for conduit mounting:
Connection component 2368.001, see page 7

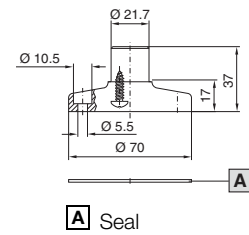
Base with integral conduit



Individual conduit

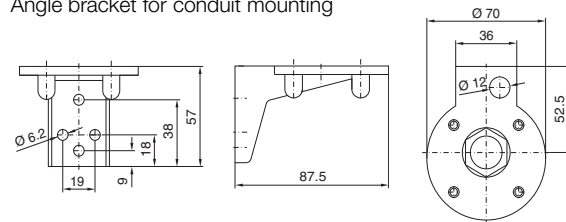


Individual base, plastic



A Seal

Angle bracket for conduit mounting



Acoustic component

for signal pillar, modular

To indicate warnings or malfunctions.

Material:

– Enclosure: Polyamide

Colour:

– Black

Protection category IP to IEC 60 529:

– IP 65

Note:

– For mounting only on the upper end of the optical components or directly onto the connection component

24 V AC/DC

Acoustic components	Packs of	Model No.
105 dB ¹⁾	1 pc(s).	2376.001
102 dB ²⁾	1 pc(s).	2376.011

¹⁾ Continuous tone or pulsating

²⁾ Adjustable volume and choice of 8 sounds

230 V

Acoustic components	Packs of	Model No.
105 dB ¹⁾	1 pc(s).	2376.021
102 dB ²⁾	1 pc(s).	2376.031

¹⁾ Continuous tone or pulsating

²⁾ Adjustable volume and choice of 8 sounds



Label panel

For signal pillar, 3-way LED and signal pillar, modular

For adding texts on up to 5 optical components, with break point for any fields that are not required (50 x 150 mm), including clamping section for base/conduit with Ø 25 mm.

Material:

– Acrylic, transparent

Label panel	Model No.
for 5 optical components	2374.150



Rittal – The System.

Faster – better – everywhere.

- Enclosures
- Power Distribution
- Climate Control
- IT Infrastructure
- Software & Services

You can find the contact details of all Rittal companies throughout the world here.



www.rittal.com/contact

XWWW00216EN2004

ENCLOSURES

POWER DISTRIBUTION

CLIMATE CONTROL

IT INFRASTRUCTURE

SOFTWARE & SERVICES



FRIEDHELM LOH GROUP