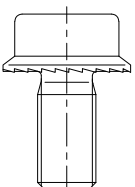


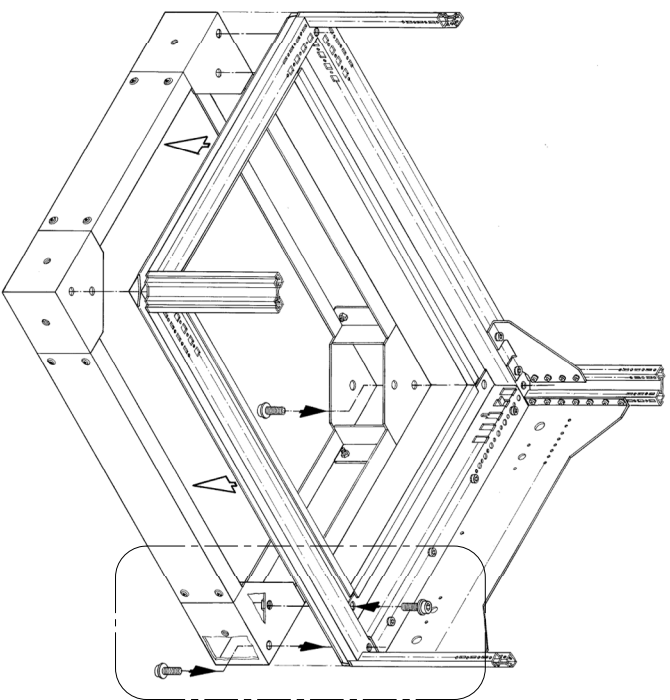


TS
8601.860

8x

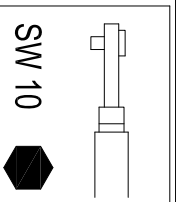
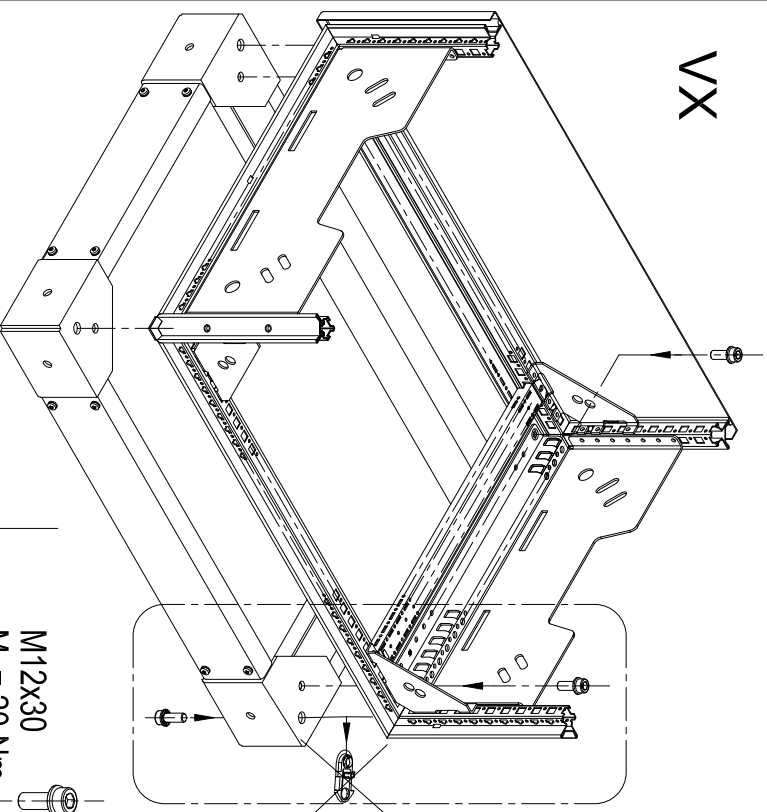


M12x30

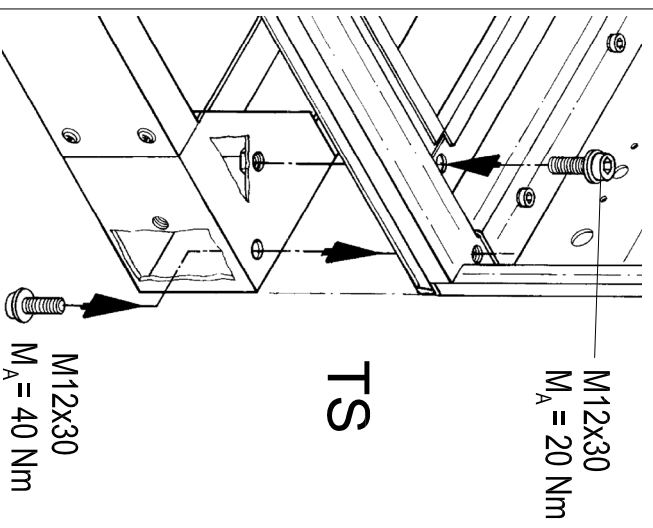


TS

VX



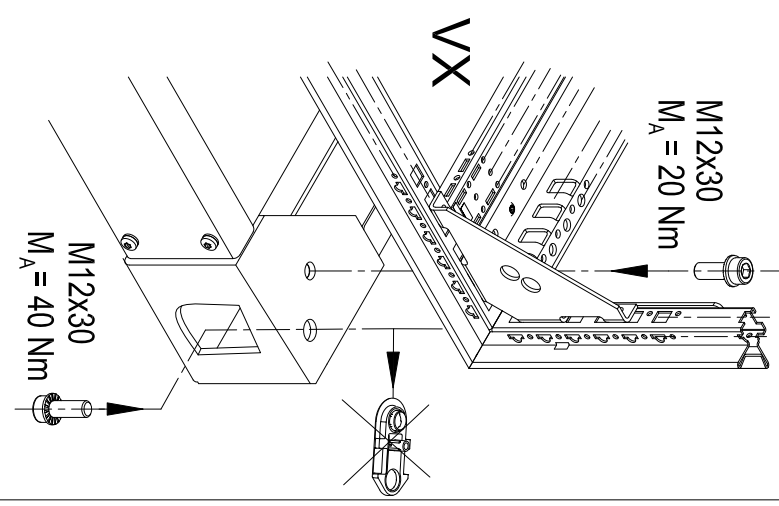
SW 10



TS

M12x30
 $M_A = 20 \text{ Nm}$

M12x30
 $M_A = 40 \text{ Nm}$



VX

M12x30
 $M_A = 20 \text{ Nm}$

M12x30
 $M_A = 40 \text{ Nm}$