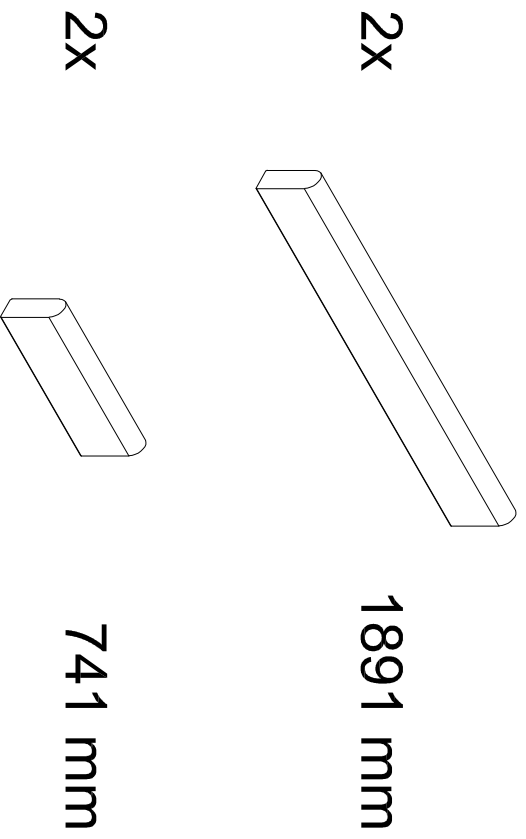




VX
4348.500



Zehng.-Nr. / No. of dwg.: A8970100VX
Versandbeutel-Nr. / No. of accessory bag :

Lieferanten-Nr. / No. of supplier :

