

Raum für Verpackungsdatum
Area for date of packing
(MMJJJJ / MMYYDD)

VX
8617.660
8617.661
8617.662
8617.663
8617.664
8617.665

6x



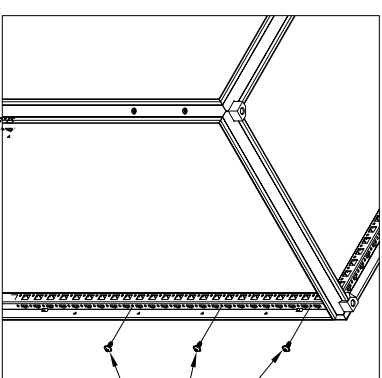
ST5,5x13

Zchng.-Nr. / No. of dwg. : A088070 01VX
Versandbeutel-Nr. / No. of accessory bag : 374369

Lieferanten-Nr. / No. of supplier :

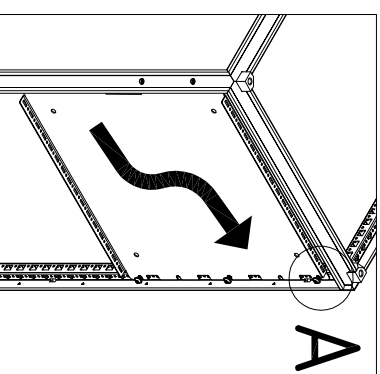


1

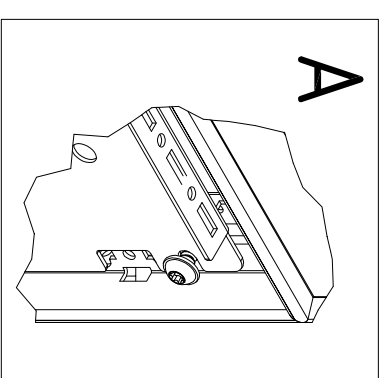


ST5,5x13

2

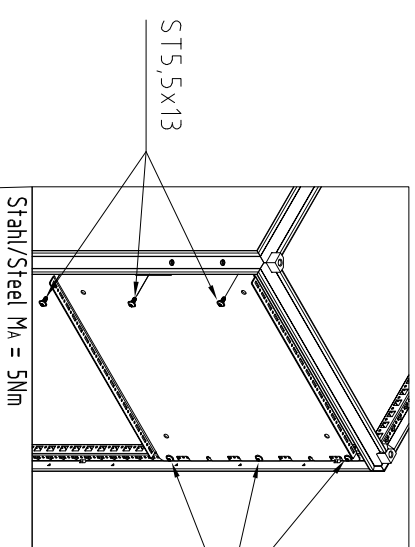


A



A

3



ST5,5x13

ST5,5x13

Stahl/Steel Ma = 5Nm