

IEC	16 - 35 mm ² (Cu) 3 Nm	10 - 25 mm ² (Cu) 3 Nm	6 x 9 x 0,8 (Cu) 3 Nm
UL	AWG 6 - 2 75 °C copper 44 lb-in	-	-
	12 - 18 mm		

For further information: www.rittal.com



SV
9342.220
9342.240



Raum für Verpackungsdatum
Area for date of packing
(MMJJTT / MMYDD)

1 SV Anschlussadapter 125A
60 mm Schienenmittenabstand

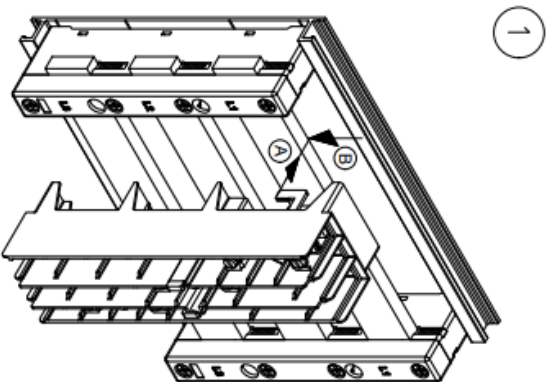
1 SV Connection adaptor 125A
60 mm busbar centre distance

1 Adaptateur pour raccordements SV 125A
60 mm d'écartement entre les axes des barres

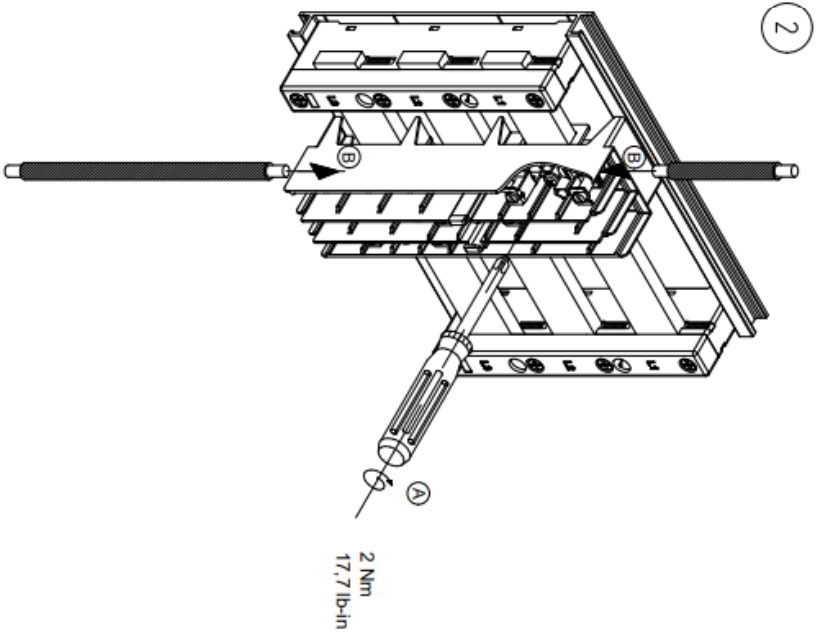
Article No.	SV9342.240	
Suitable for use on a circuit capable of delivering not more than SCCR symmetrical amperes [kA]	Maximum voltage AC [V]	Maximum condition when protected by
65	600	Class J 400A Fuses
	480	Circuit breaker (UL category DIVQ/7) rated up to 125A, having an interrupting rating not less than 65kA symmetrical amperes
50	600	Class K5 125A Fuses

Zchng.-Nr. / No. of dwg. : A3507405SV
Versandbeutel-Nr. / No. of accessory bag : -

Lieferanten-Nr. / No. of supplier :

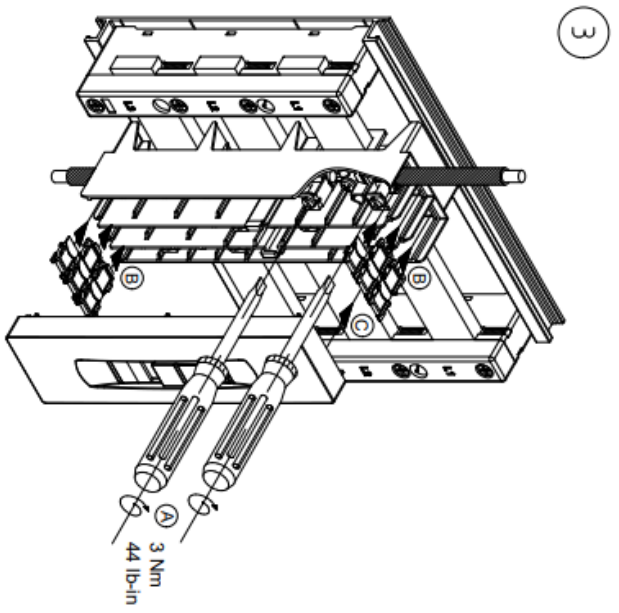


1



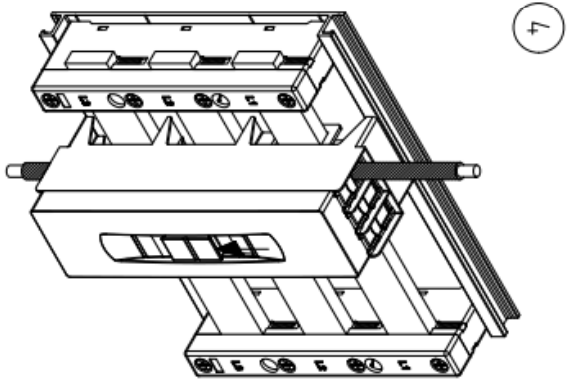
2

2 Nm
17.7 lb-in



3

3 Nm
44 lb-in



4

2 Nm
17.7 lb-in



2 Nm
17.7 lb-in