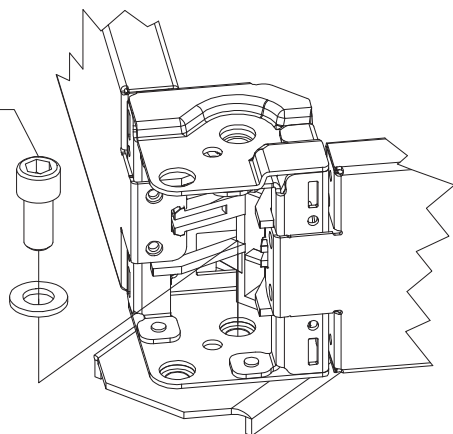


$M_A = 6 \text{ Nm}$



$M_A = 45 \pm 5 \text{ Nm}$



VX

8100.771

4x



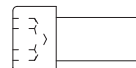
M12

4x



A13

4x



M12x25

4x

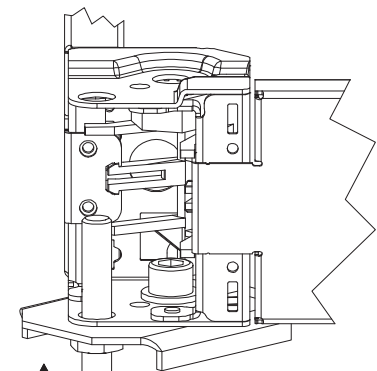


M5x12

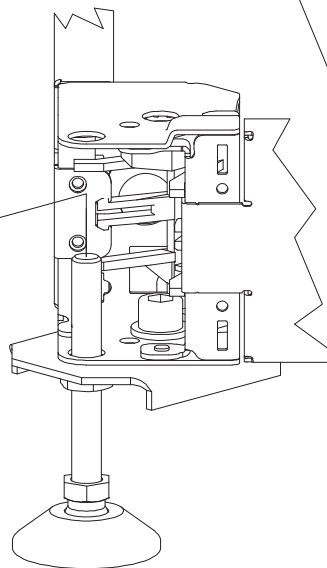
Zchng.-Nr. / No. of dwg. : A08285600VX

Versandbeutel-Nr. / No. of accessory bag : 375336

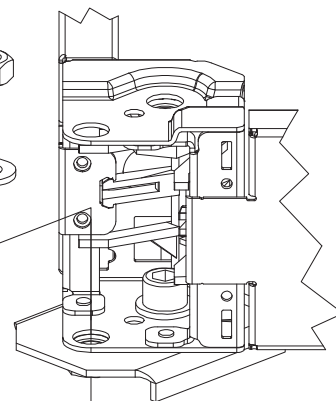
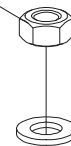
Lieferanten-Nr. / No. of supplier : 6045700



$M_A = 45 \pm 5 \text{ Nm}$



$M_A = 45 \pm 5 \text{ Nm}$



$M_A = 45 \pm 5 \text{ Nm}$

