



SV
9345.035



Raum für Verpackungsdatum
Area for date of packing
(MMJJTT / MMYDD)

4 Fuseholder Class J 60A
für Tragschienenmontage

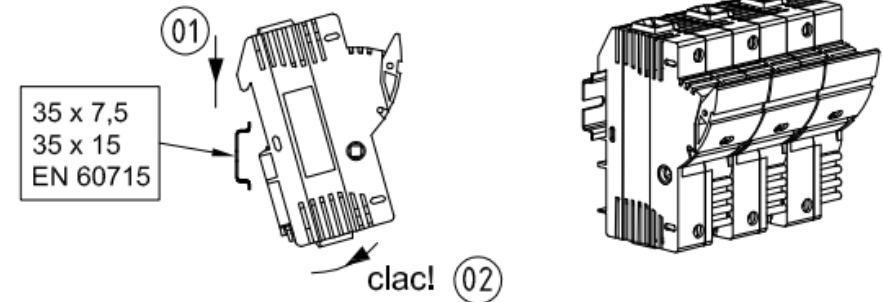
4 Fuseholder Class J 60A
for mounting on support rails

4 Support de fusible Class J 60A
pour montage sur rails porteurs

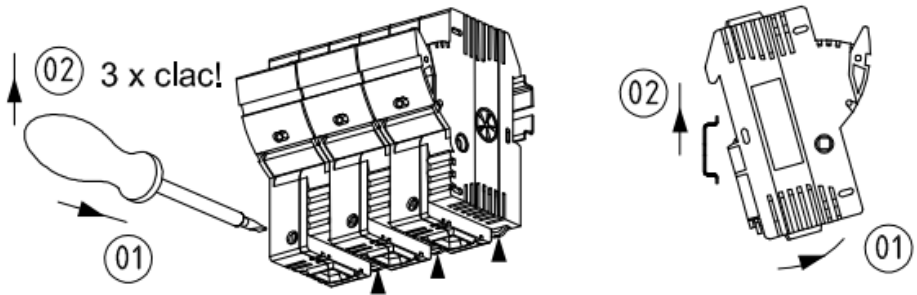
Zchnng.-Nr. / No. of dwg. : A06363900SV
Versandbeutel-Nr. / No. of accessory bag : -

Lieferanten-Nr. / No. of supplier :

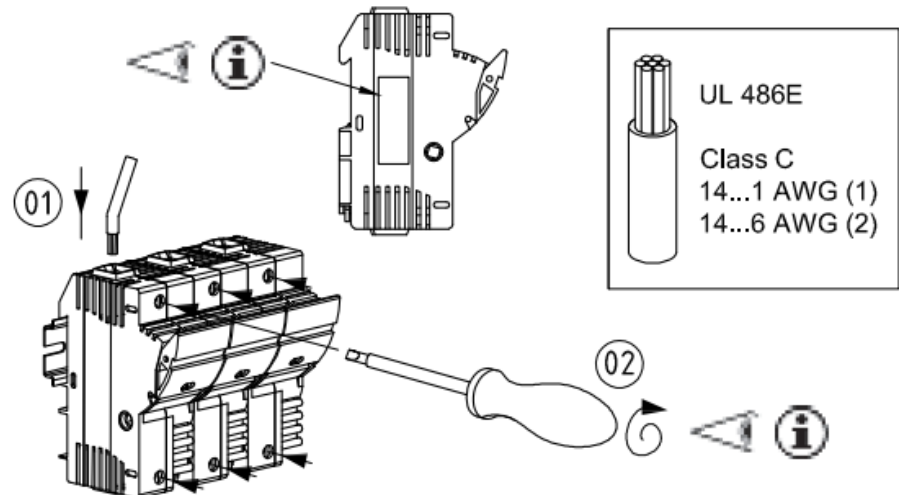
Montage / Assembly / Montage



Demontage / Disassembly / Démontage



Anschluss / Connection / Raccordement





Fuseholder SV 9345.035

