



SV
9345.015



Raum für Verpackungsdatum
Area for date of packing
(MMJJTT / MMYDD)

4 Fuseholder Class J 30A
für Tragschienenmontage

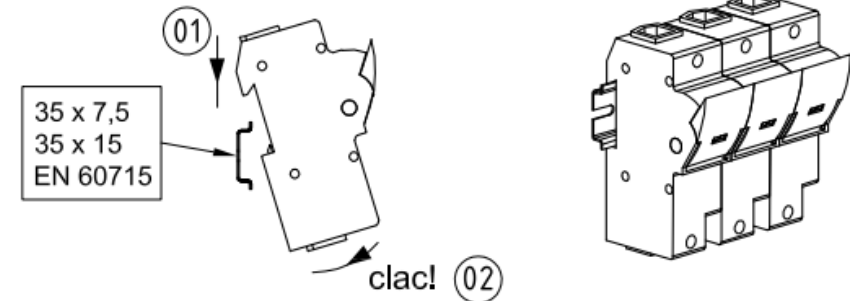
4 Fuseholder Class J 30A
for mounting on support rails

4 Support de fusible Class J 30A
pour montage sur rails porteurs

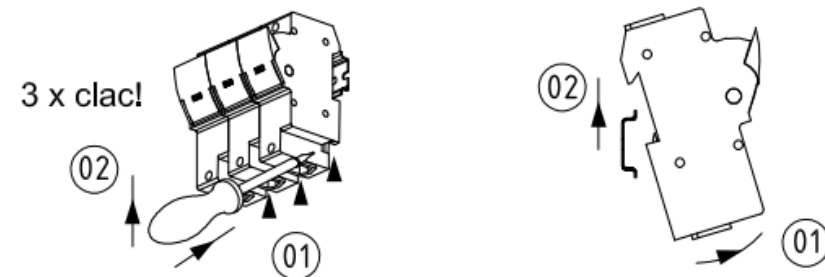
Zchn.-Nr. / No. of dwg.: A06363800SV
Versandbeutel-Nr. / No. of accessory bag :-

Lieferanten-Nr. / No. of supplier :

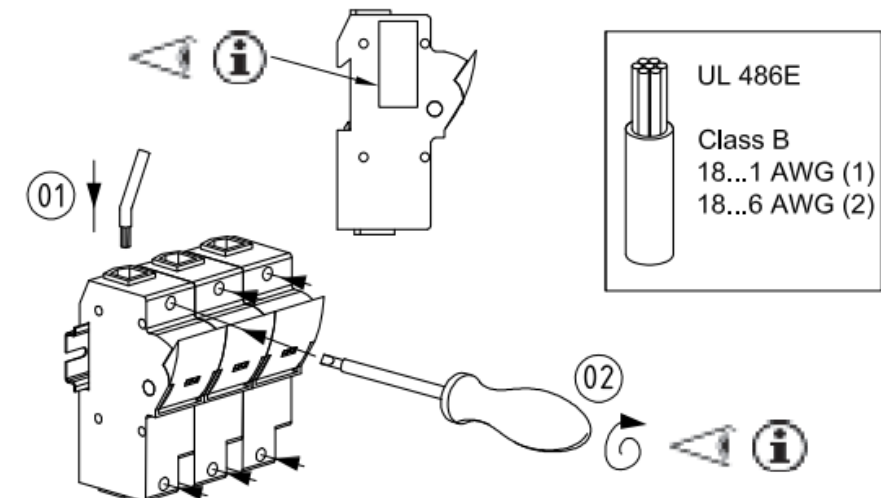
Montage / Assembly / Montage



Demontage / Disassembly / Démontage



Anschluss / Connection / Raccordement





Fuseholder SV 9345.015

