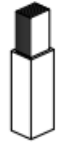



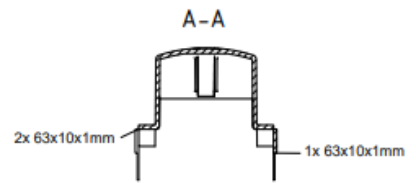
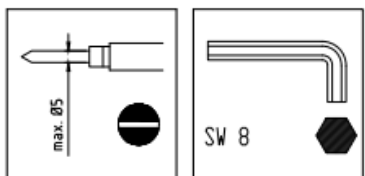
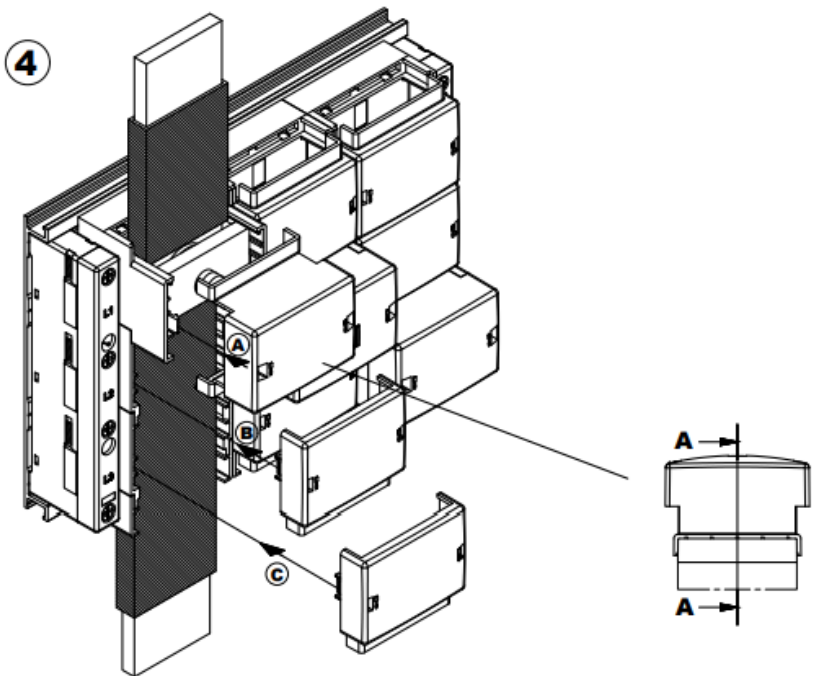


|   |   |   |  |
|---|---|---|--|
|   |  |  |  |
| IEC   | 5 x 40 x 1 -<br>10 x 63 x 1 (Cu)<br>20 Nm   |   |  |
| UL  | 5 x 40 x 1 -<br>10 x 63 x 1<br>75° C copper<br>195 lb-in                          | -   | -  |
|  | 50 mm   | 50 mm   | 55 mm  |



For further information: [www.rittal.com](http://www.rittal.com)



SV  
9342.320

Raum für Verpackungsdatum  
Area for date of packing  
(MMJJTT / MMYDD)



1 SV Anschlussadapter 1600A, 3-polig  
60 mm Schienenmittenabstand

1 SV Connection adaptor 1600A, 3-pole  
60 mm busbar centre distance

1 Adaptateur pour raccordements SV 1600A, 3-pôles  
60 mm d'écartement entre les axes des barres

| Article No.   | SV9342.320             |  |
|---|------------------------|--|
| Suitable for use on a circuit capable of delivering not more than SCCR symmetrical amperes [kA] | Maximum voltage AC [V] | Maximum condition when protected by  |
| 65  | 600                    | Class L 1600A Fuses  |
|   | 480                    | Circuit breaker (UL category DIVQ/7) rated up to 1200A, having an interrupting rating not less than 65kA symmetrical amperes |

Zchnng.-Nr. / No. of dwg. : A3707807SV  
Versandbeutel-Nr. / No. of accessory bag : -

Lieferanten-Nr. / No. of supplier :

