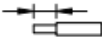
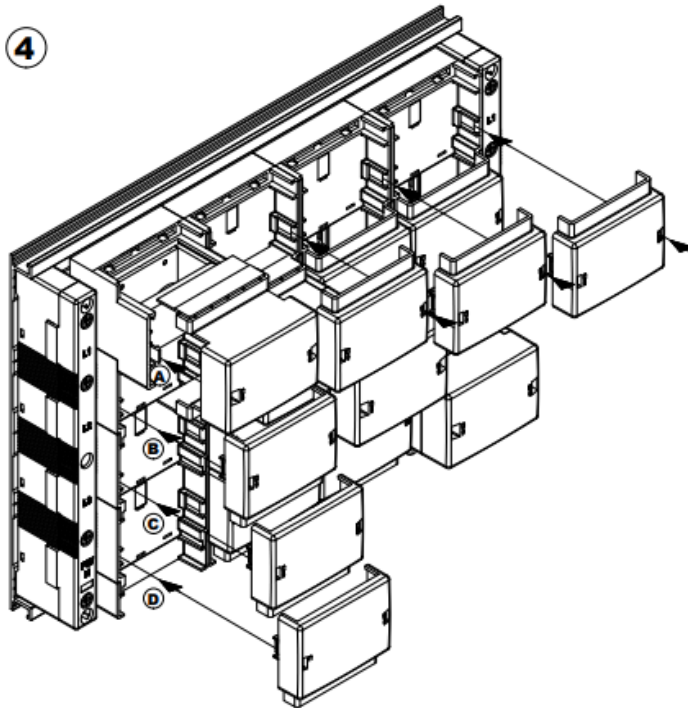

IEC	5 x 40 x 1 - 10 x 63 x 1 (Cu) 20 Nm		
UL	5 x 40 x 1 - 10 x 63 x 1 75° C copper 195 lb-in	-	-
	50 mm	50 mm	55 mm

4



For further information: www.rittal.com



SV
9342.324



Raum für Verpackungsdatum
Area for date of packing
(MMJJTT / MMYDD)

1 SV Anschlussadapter-Ergänzungsset 1600A, 1-polig
60 mm Schienenmittenabstand

1 SV Connection adaptor expansion set 1600A, 1-pole
60 mm busbar centre distance

1 Kit complémentaire d'adaptateur de raccordement SV 1600A, 1-pôle
60 mm d'écartement entre les axes des barres

Article No.	SV9342.324	
Suitable for use on a circuit capable of delivering not more than SCCR symmetrical amperes [kA]	Maximum voltage AC [V]	Maximum condition when protected by
65	600	Class L 1600A Fuses
	480	Circuit breaker (UL category DIVQ/7) rated up to 1200A, having an interrupting rating not less than 65kA symmetrical amperes

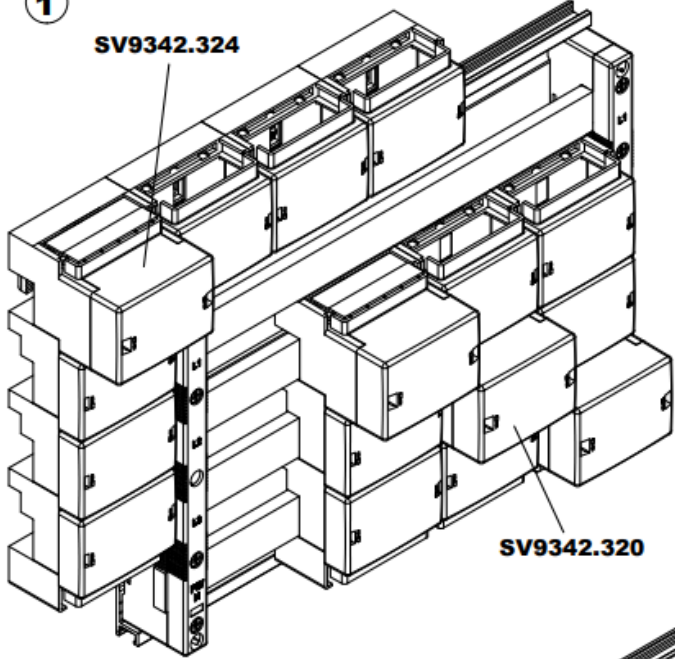
Zchn.-Nr. / No. of dwg. : A3736604SV

Versandbeutel-Nr. / No. of accessory bag : -

Lieferanten-Nr. / No. of supplier :

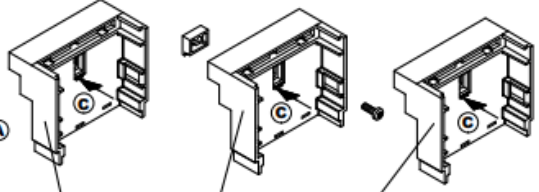
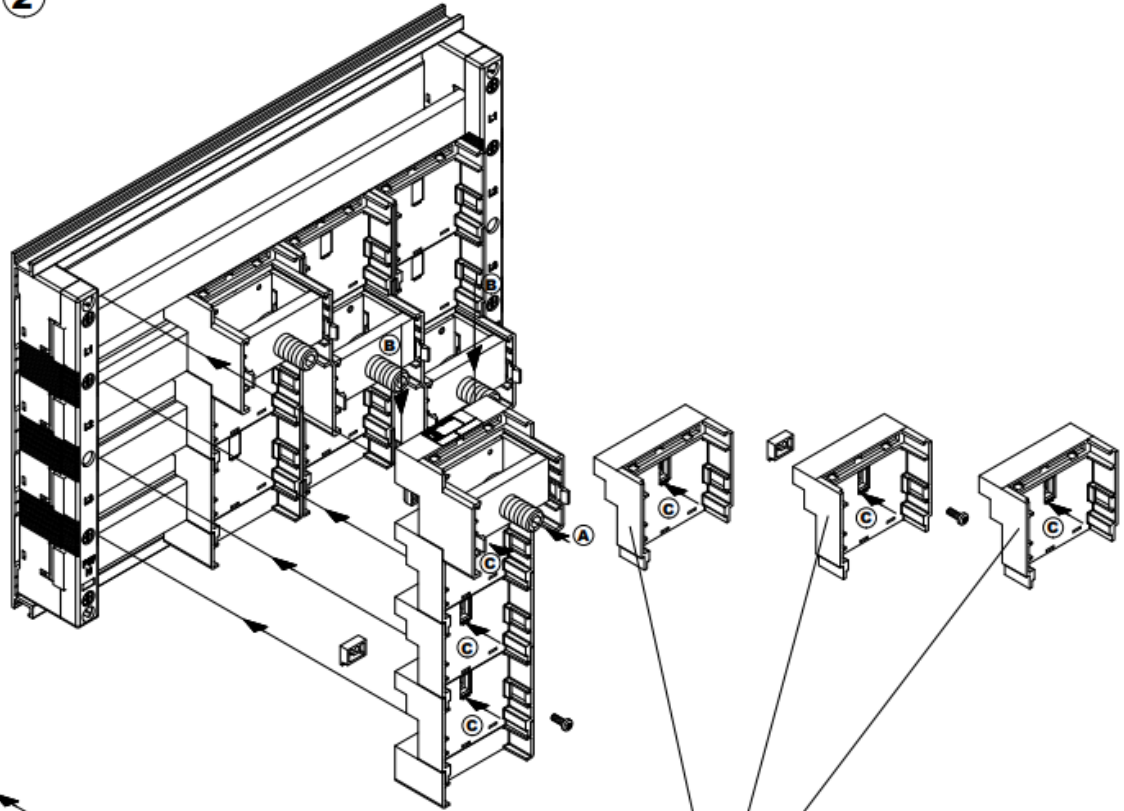
1

SV9342.324

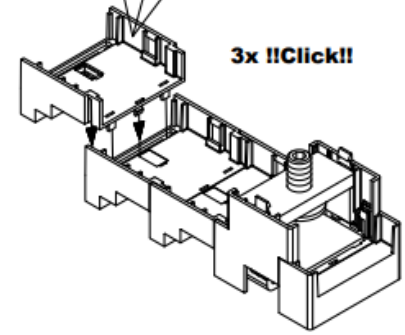


SV9342.320

2



3x !!Click!!



3

