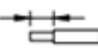



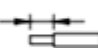

IEC	95 - 300 mm ² (Al / Cu) 14 Nm		95 - 185 mm ² (Cu) 14 Nm	95 - 240 mm ² (Cu) 20 Nm
UL	AWG 4/0 - MCM 600 75° C copper 146 lb-in		-	-
	30 - 40 mm			

			
IEC	6 x 15,5 x 0,8 - 10 x 32 x 1 (Cu) 14 Nm		
UL	6 x 15,5 x 0,8 - 10 x 32 x 1 75° C copper 146 lb-in	-	-
	50 mm	50 mm	55 mm

For further information: www.rittal.com



SV
9342.314



Raum für Verpackungsdatum
Area for date of packing
(MMJJTT / MMYDD)

1 SV Anschlussadapter-Ergänzungsset 800A, 1-polig
60 mm Schienenmittenabstand

1 SV Connection adaptor expansion set 800A, 1-pole
60 mm busbar centre distance

1 Kit complémentaire d'adaptateur de raccordement SV 800A, 1-pôle
60 mm d'écartement entre les axes des barres

Article No.	SV9342.314	
Suitable for use on a circuit capable of delivering not more than SCCR symmetrical amperes [kA]	Maximum voltage AC [V]	Maximum condition when protected by
65	600	Class L 800A Fuses
	480	Circuit breaker (UL category DIVQ/7) rated up to 600A, having an interrupting rating not less than 65kA symmetrical amperes

Zchn.-Nr. / No. of dwg. : A3735804SV
Versandbeutel-Nr. / No. of accessory bag : -

Lieferanten-Nr. / No. of supplier :

