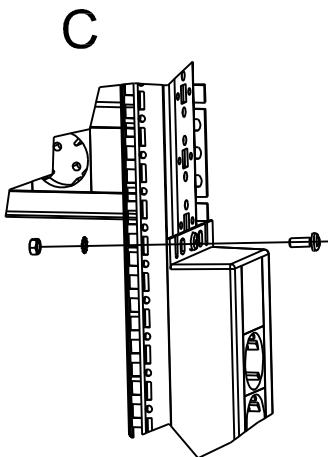
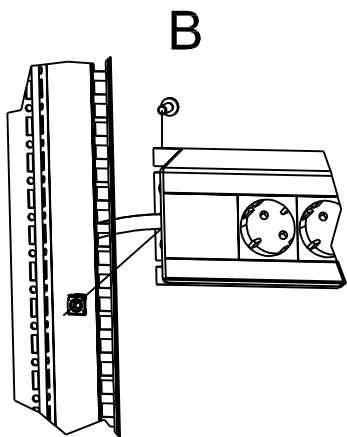





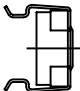
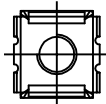
Raum für Verpackungsdatum  
Area for date of packing  
(MMJJTT / MMYDD)



2x  M6x16

2x  A6.4

2x  M6

2x   M6

Zchng.-Nr. / No. of dwg. : A3265401IT

Versandbeutel-Nr. / No. of accessory bag 293890

Lieferanten-Nr. / No. of supplier :

