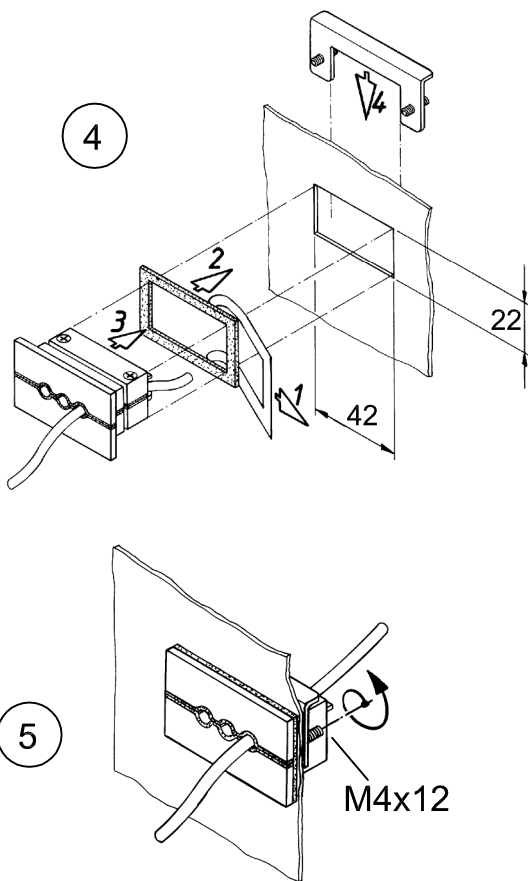




Raum für Verpackungsdatum  
Area for date of packing  
(MMJJTT / MMYDD)



- |     |  |     |  |
|-----|--|-----|--|
| 5x  |  | 5x  |  |
| 5x  |  | 5x  |  |
| 10x |  | 10x |  |
| 10x |  | 10x |  |
| 10x |  | 10x |  |

Zchng.-Nr. / No. of dwg. : A2263804SZ

Versandbeutel-Nr. / No. of accessory bag : -

Lieferanten-Nr. / No. of supplier :

