

Rittal – The System.

Faster – better – everywhere.

- Enclosures
- Power Distribution
- Climate Control
- IT Infrastructure
- Software & Services

RITTAL GmbH & Co. KG
Postfach 1662 · D-35726 Herborn
Phone + 49(0)2772 505-0 · Fax + 49(0)2772 505-2319
E-mail: info@rittal.de · www.rittal.com

Rittal – The System.

Faster – better – everywhere.



TE 7000
Top Efficiency

| | |
|-------------|-------------|
| TE 7000.390 | TE 7000.532 |
| TE 7000.410 | TE 7000.840 |
| TE 7000.430 | TE 7000.850 |
| TE 7000.440 | TE 7000.850 |
| TE 7000.460 | TE 7000.875 |
| TE 7000.500 | TE 7000.882 |
| TE 7000.510 | TE 7000.892 |
| TE 7000.530 | |

02.2015 / A3184705IT / 309071

Montageanleitung
Assembly instructions
Notice de montage
Montagehandleiding
Montageanvisning
Istruzioni di montaggio
Instrucciones de montaje



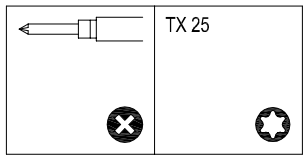
ENCLOSURES POWER DISTRIBUTION CLIMATE CONTROL IT INFRASTRUCTURE SOFTWARE & SERVICES

FRIEDHELM LOH GROUP



ENCLOSURES POWER DISTRIBUTION CLIMATE CONTROL IT INFRASTRUCTURE SOFTWARE & SERVICES

FRIEDHELM LOH GROUP



(X)

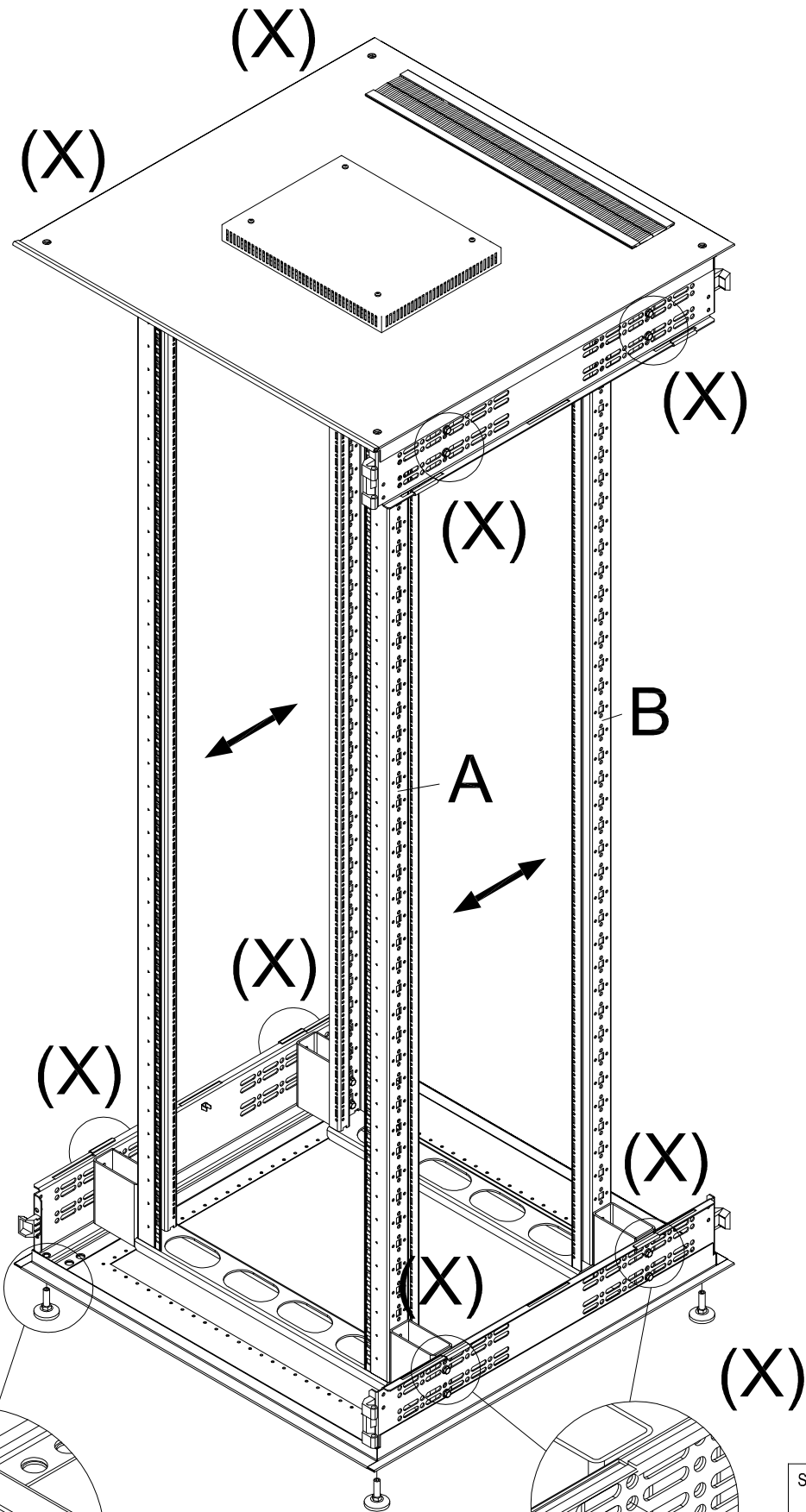
Achtung / Attention / Attention:

Zur Tiefenverstellung jeweils nur eine Ebene (A / B) lösen!

Only loosen up one level (A / B) for depth-adjusting at the time !

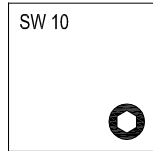
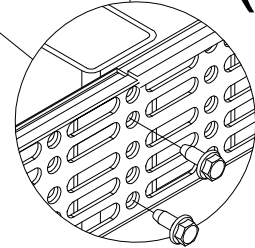
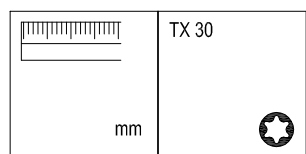
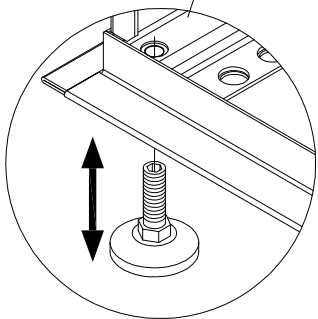
Pour régler la profondeur, débloquer l'un des portants (A / B) !

Attention, ne jamais débloquer les deux portants à la fois !

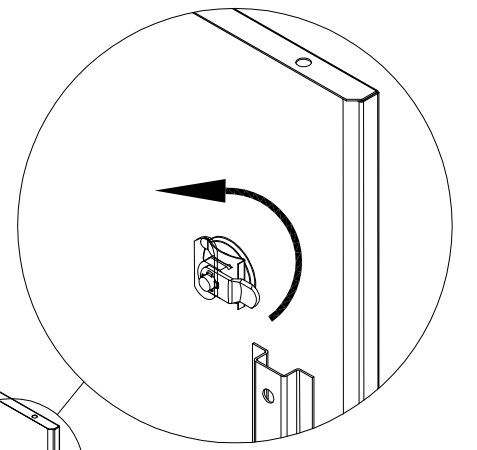


max.
5mm

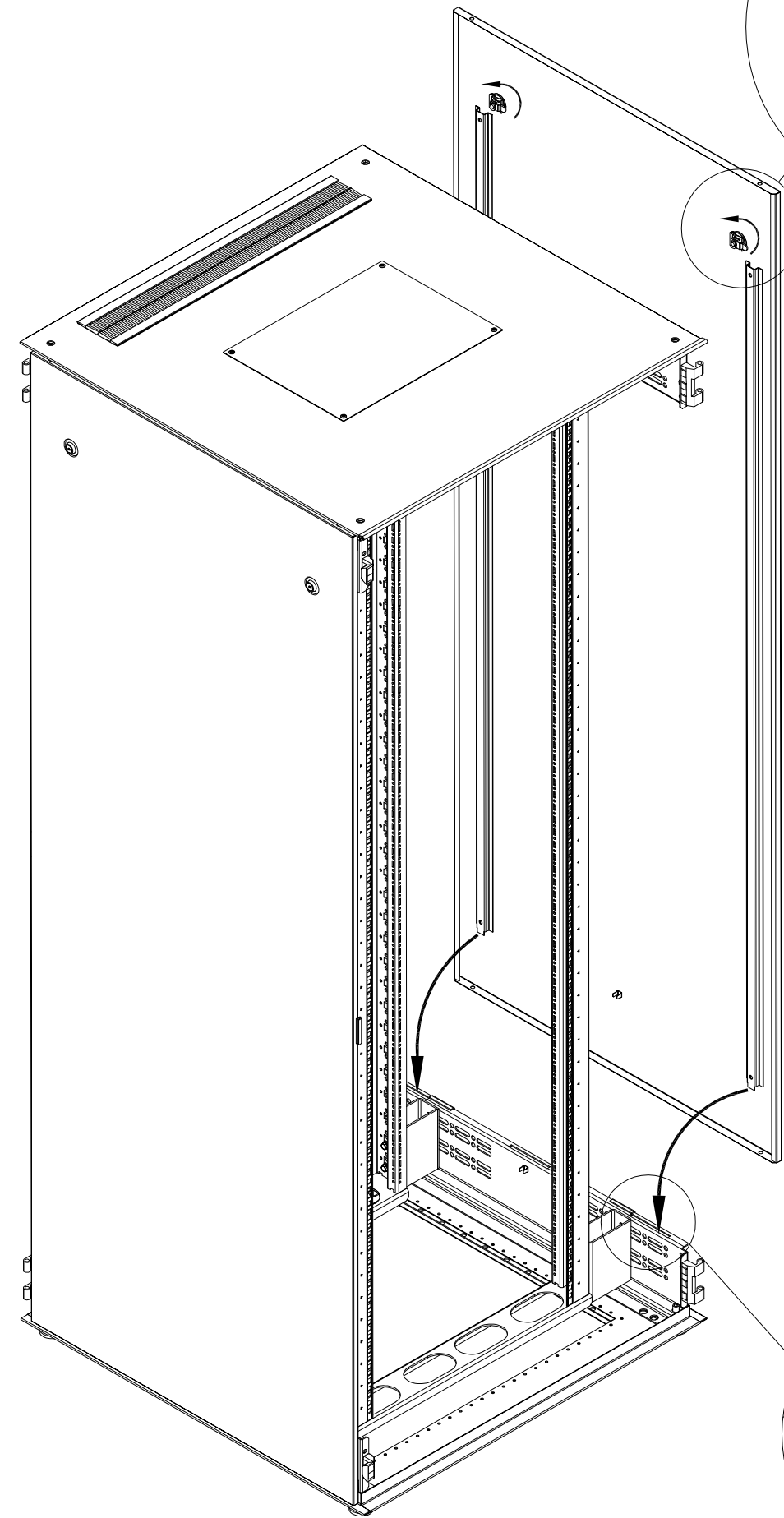
2



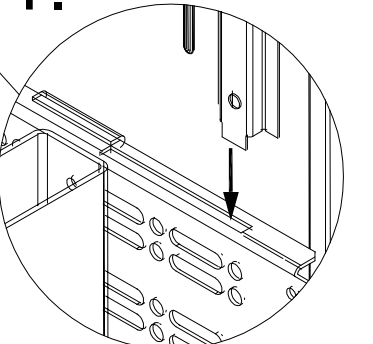
$M_D = 8 + 1Nm$



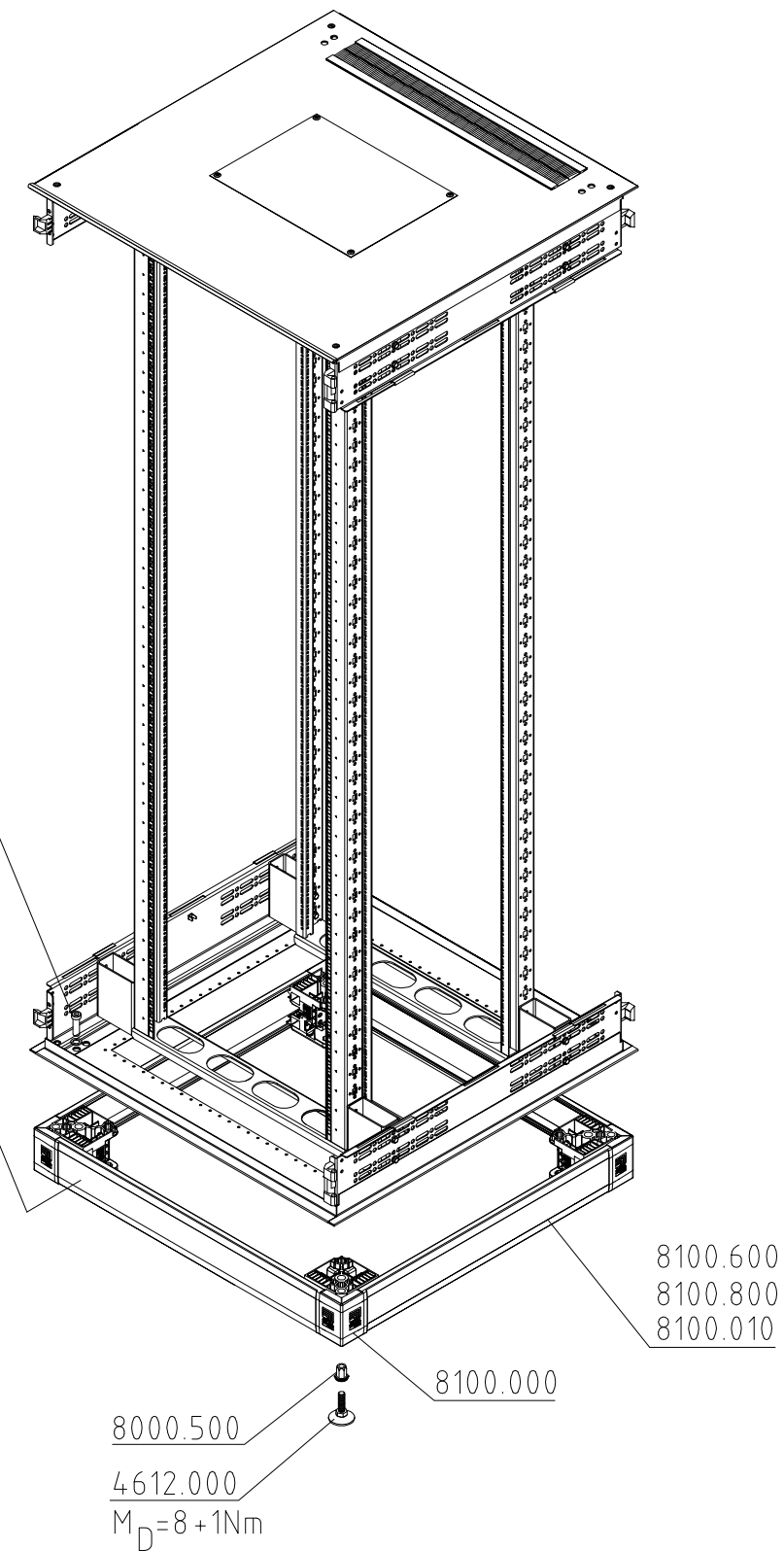
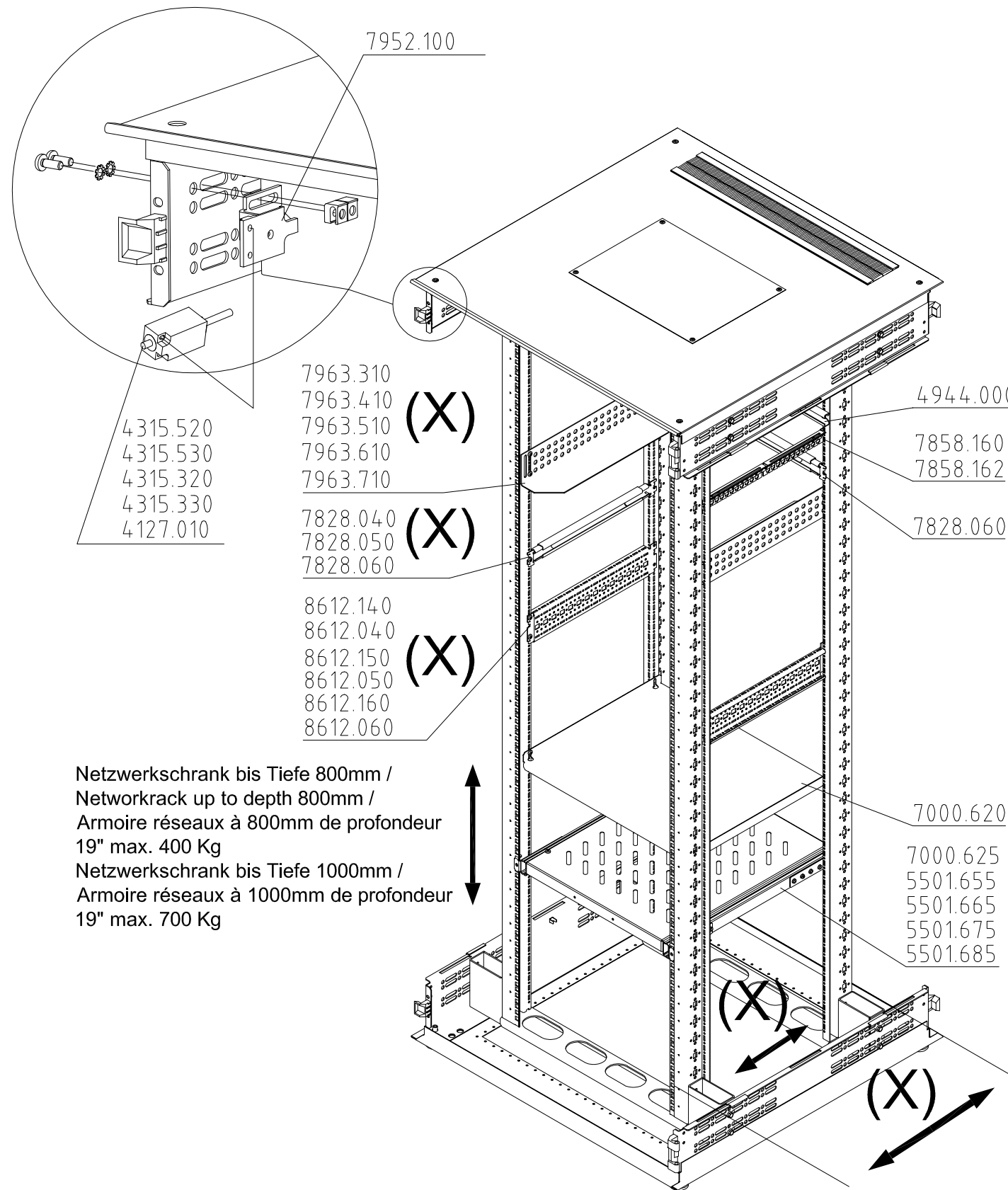
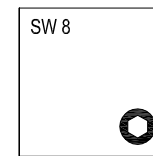
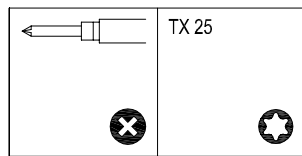
2.

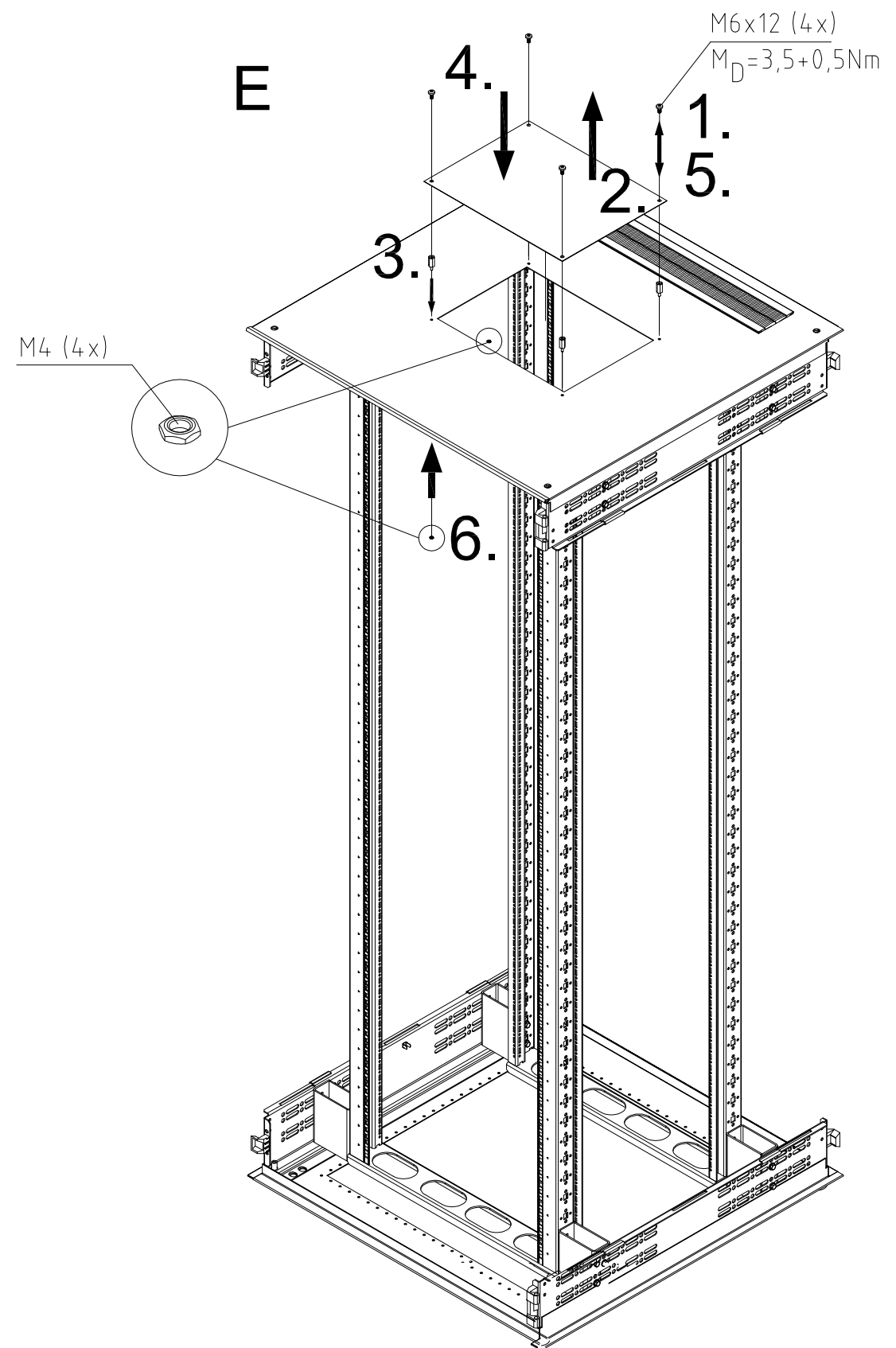
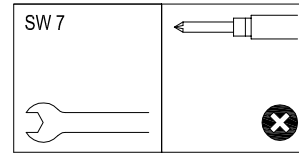
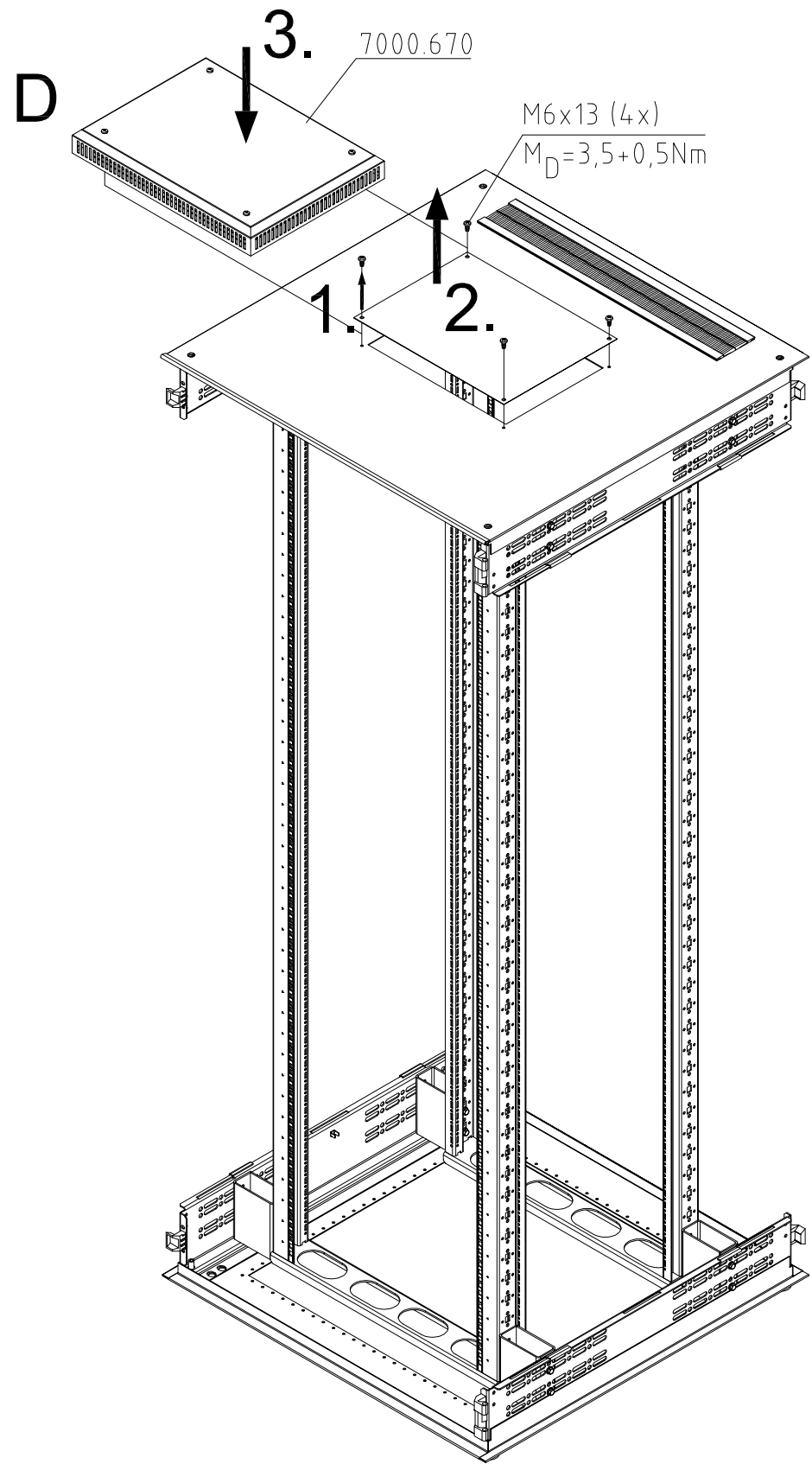
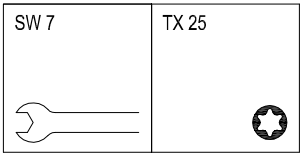


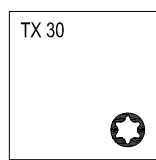
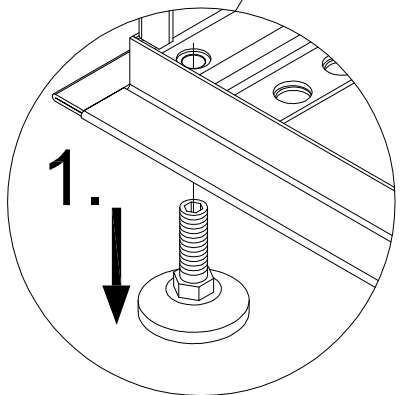
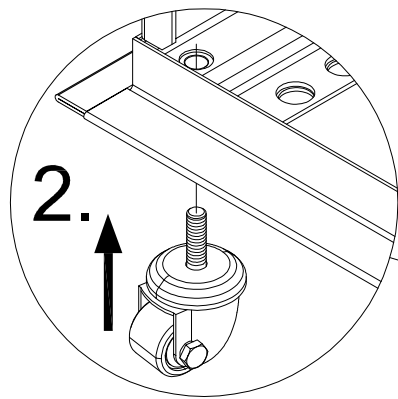
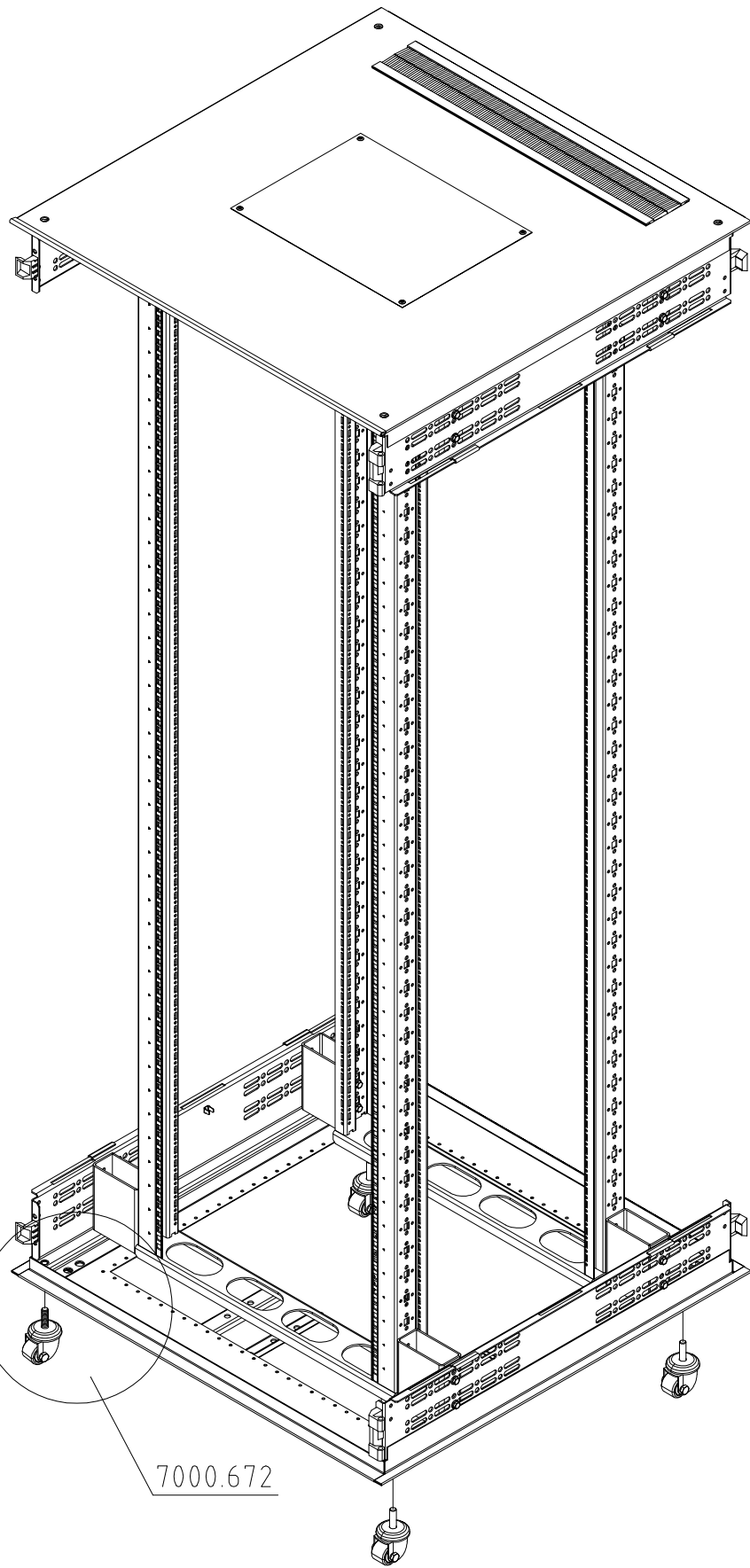
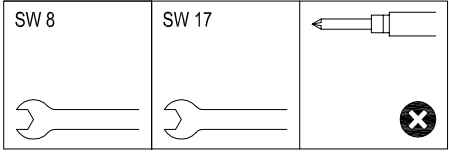
1.



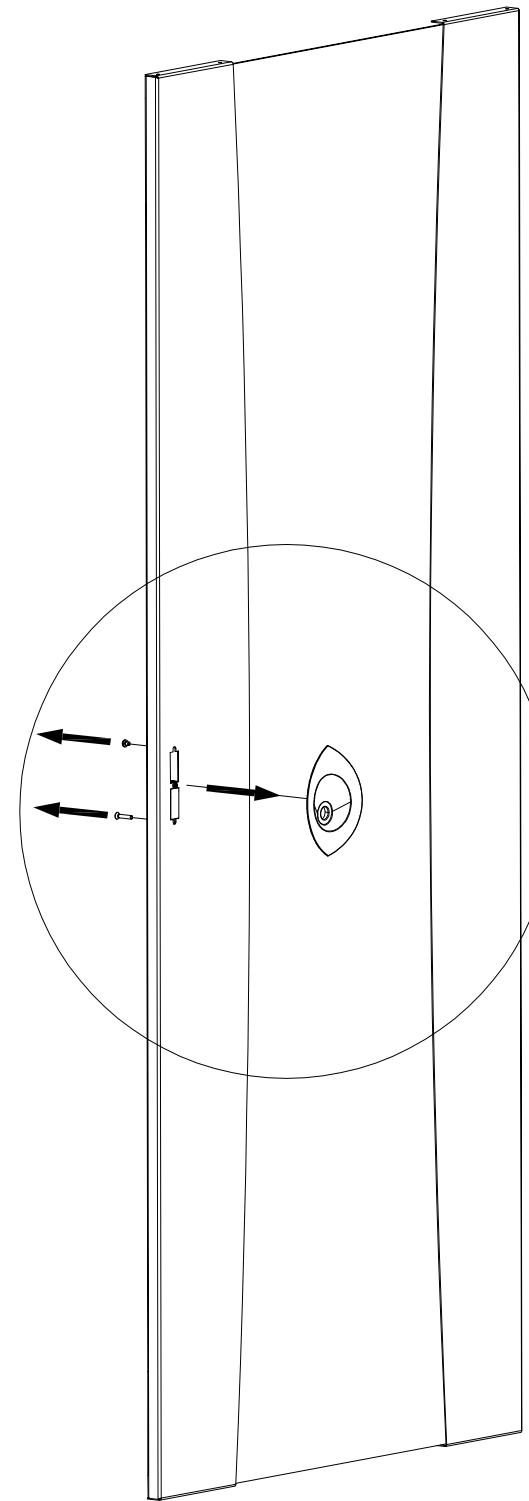
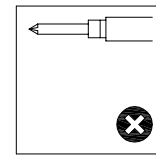
3



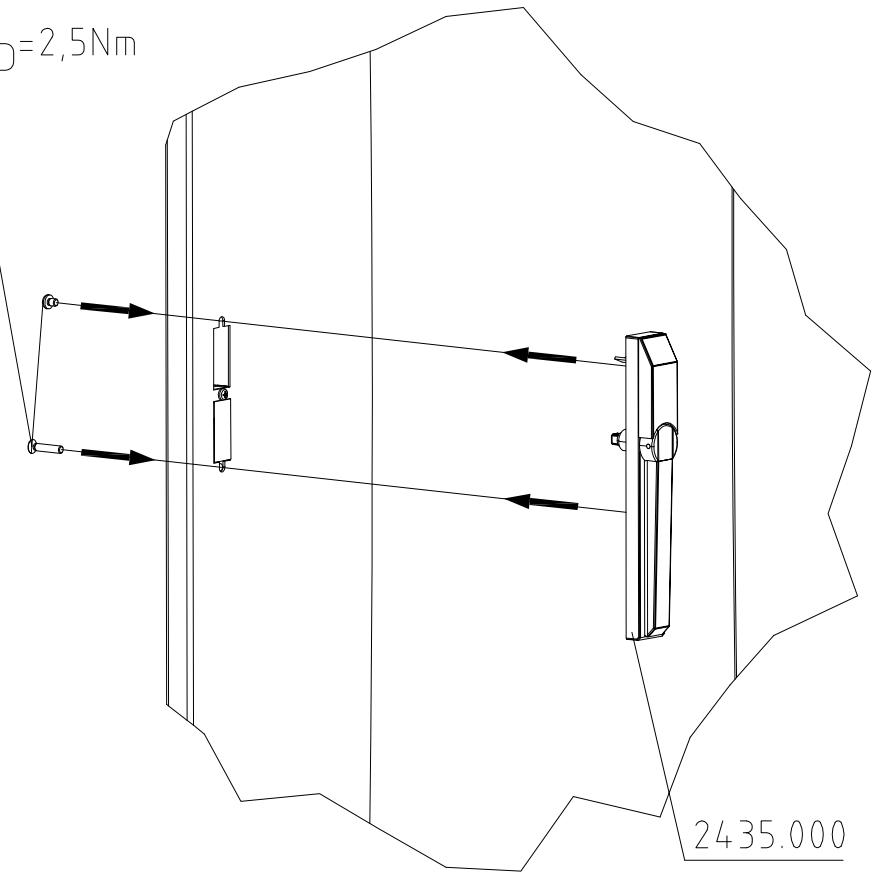




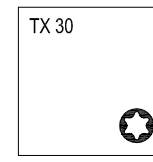
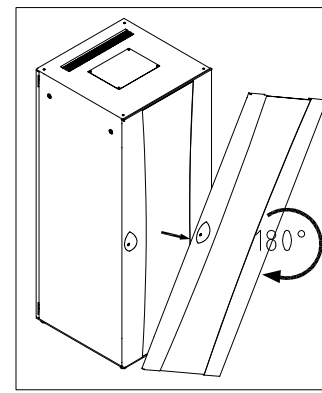
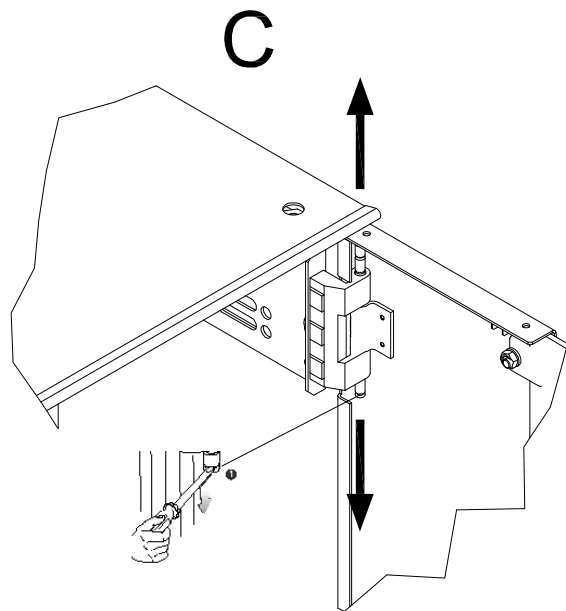
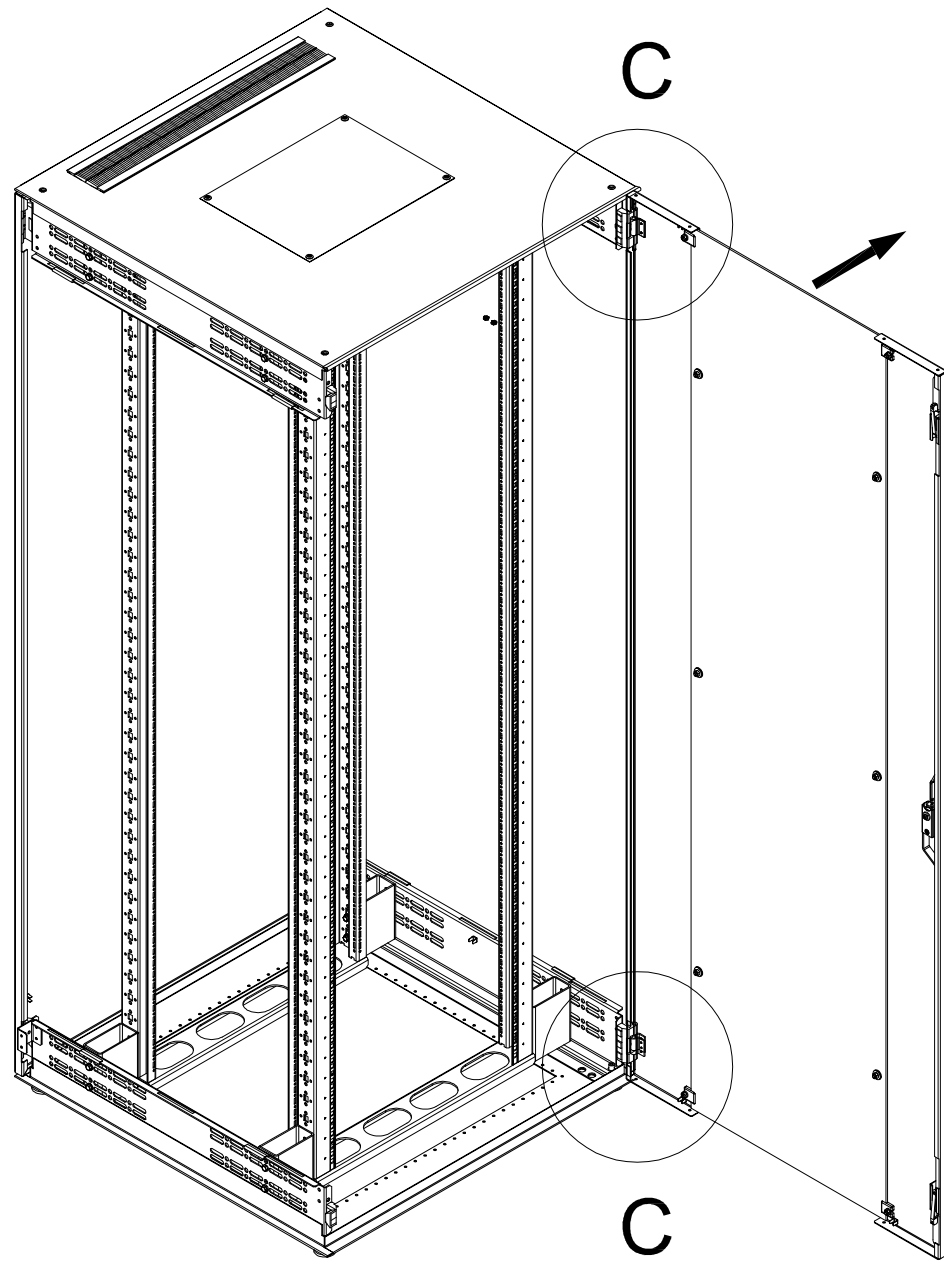
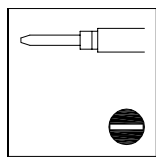
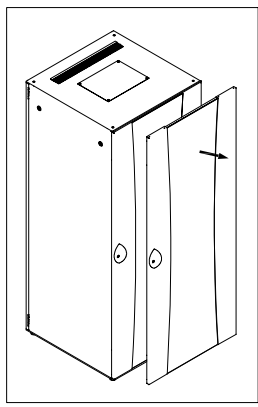
7000.672



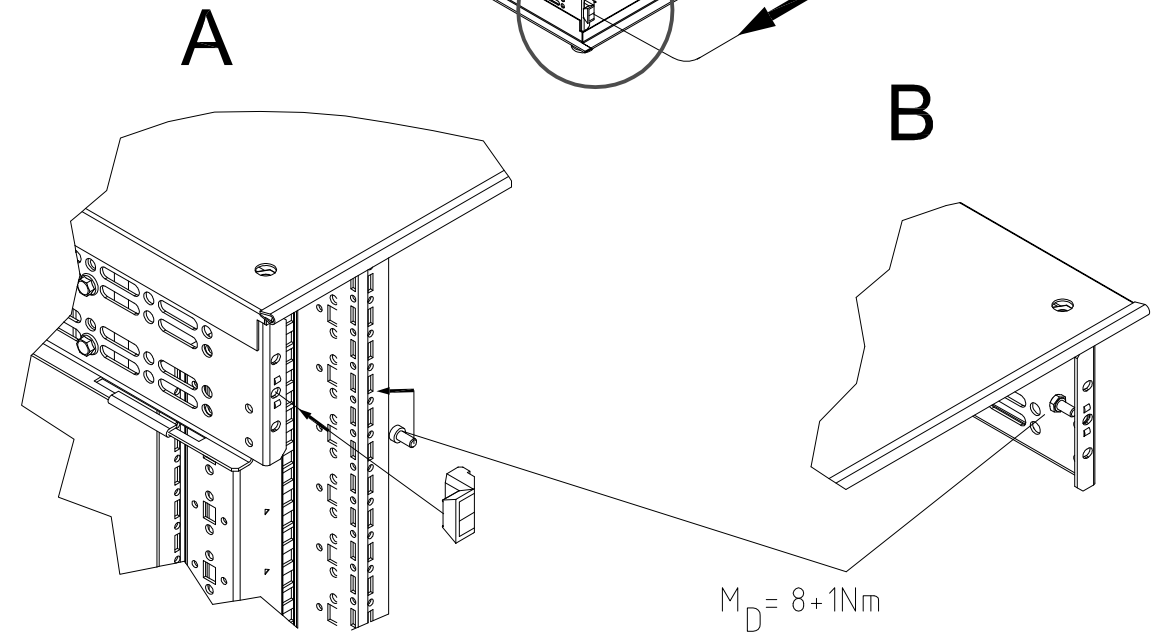
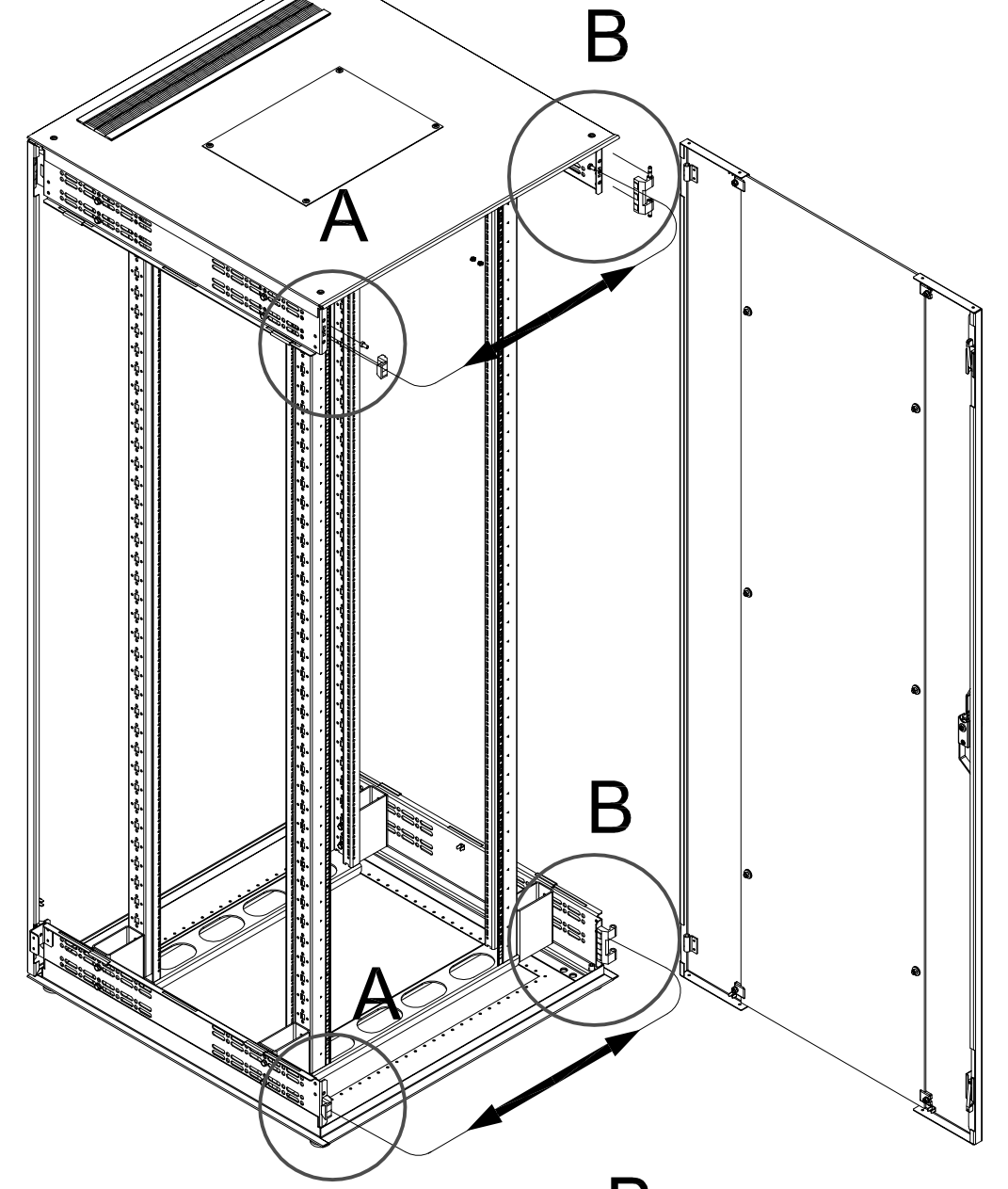
$M_D = 2,5Nm$



2435.000



TX 30



$M_D = 8+1Nm$

