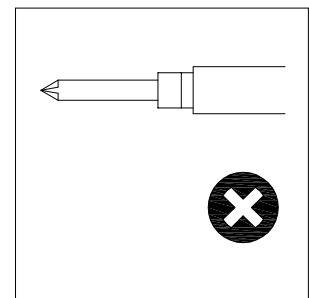
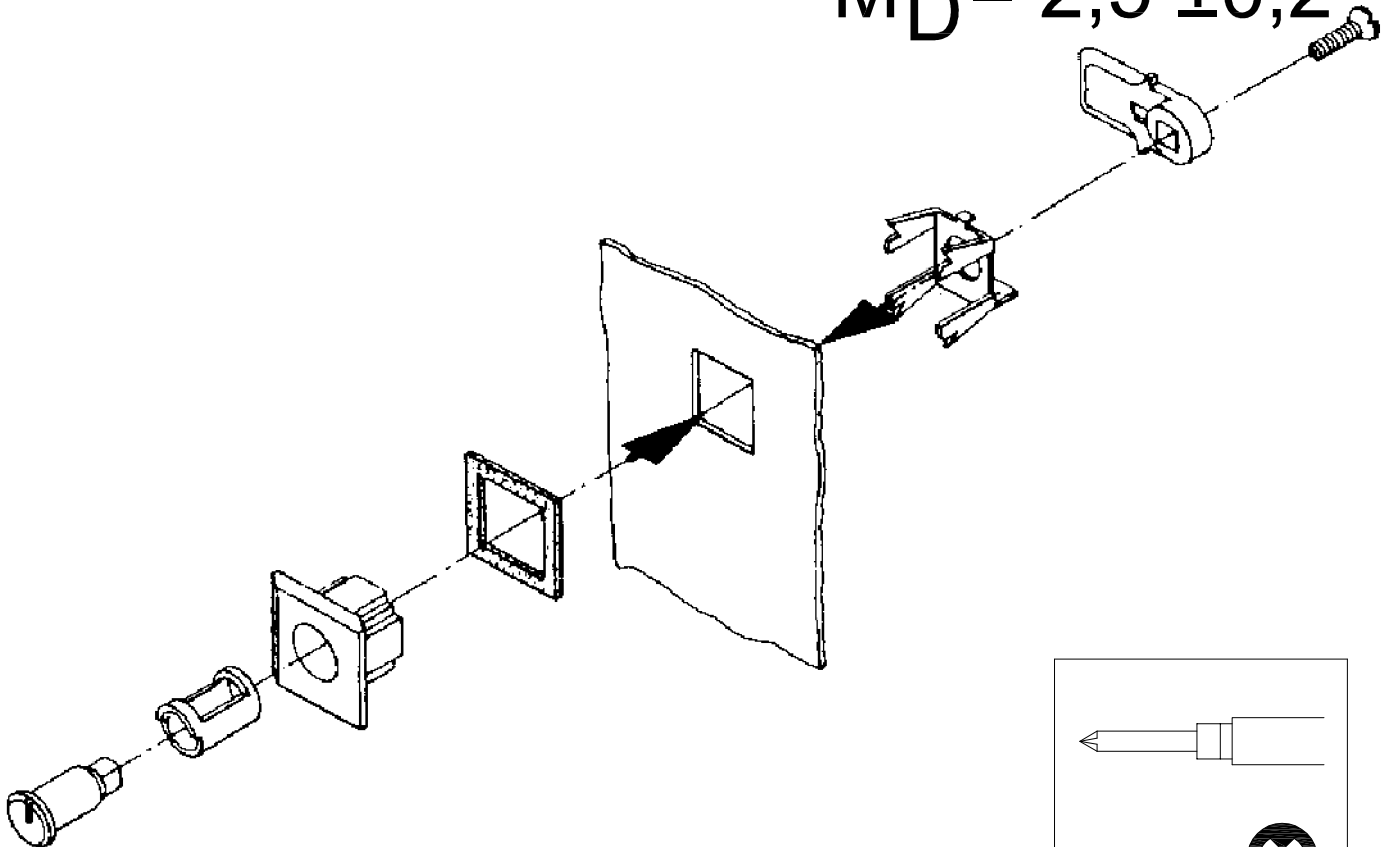




SZ  
2430.000

M5x12  
 $M_D = 2,5 \pm 0,2$



Zchnng.-Nr. / No. of dwg. : A0047101SZ  
Versandbeutel-Nr. / No. of accessory bag : -

Lieferanten-Nr. / No. of supplier :