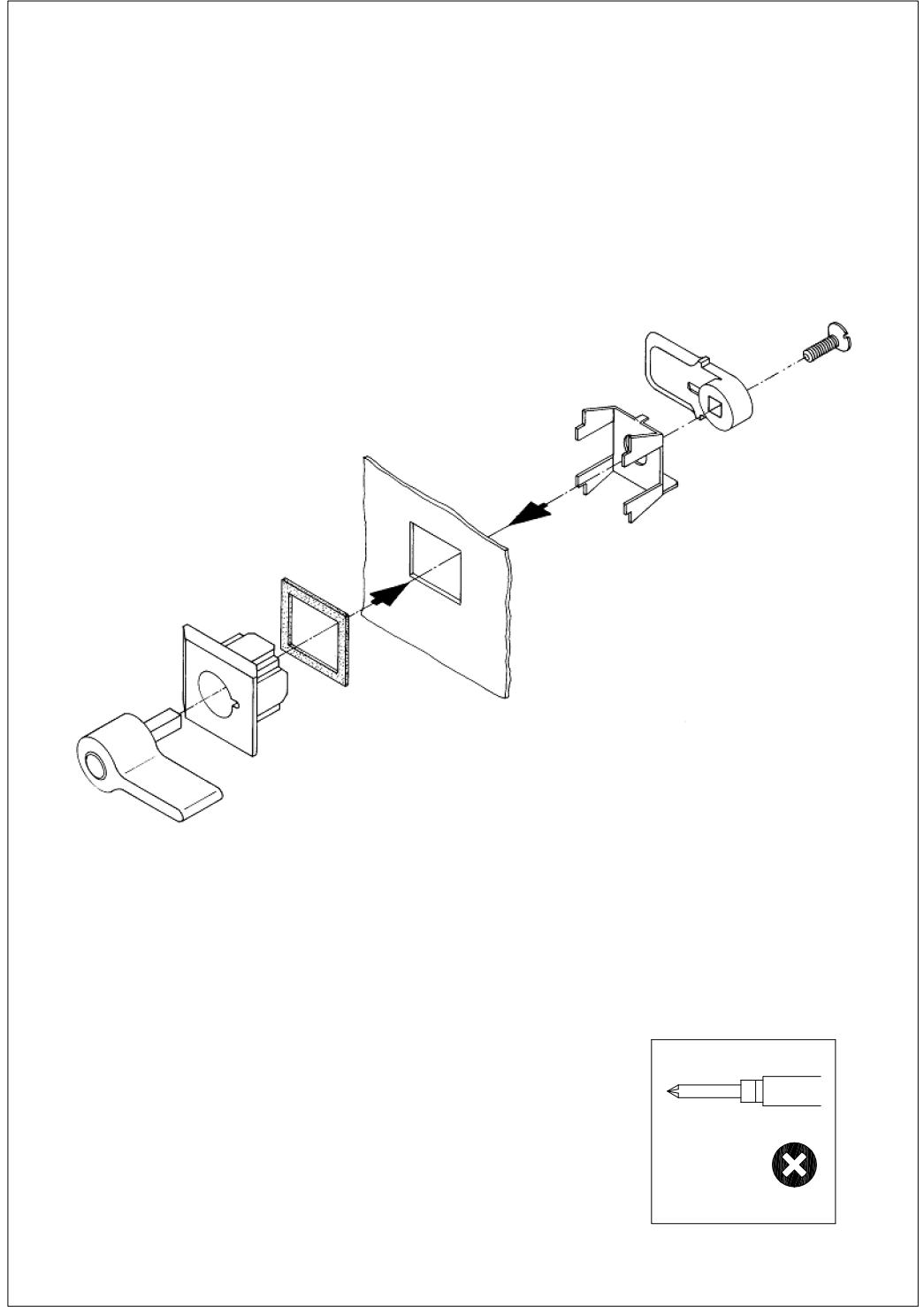
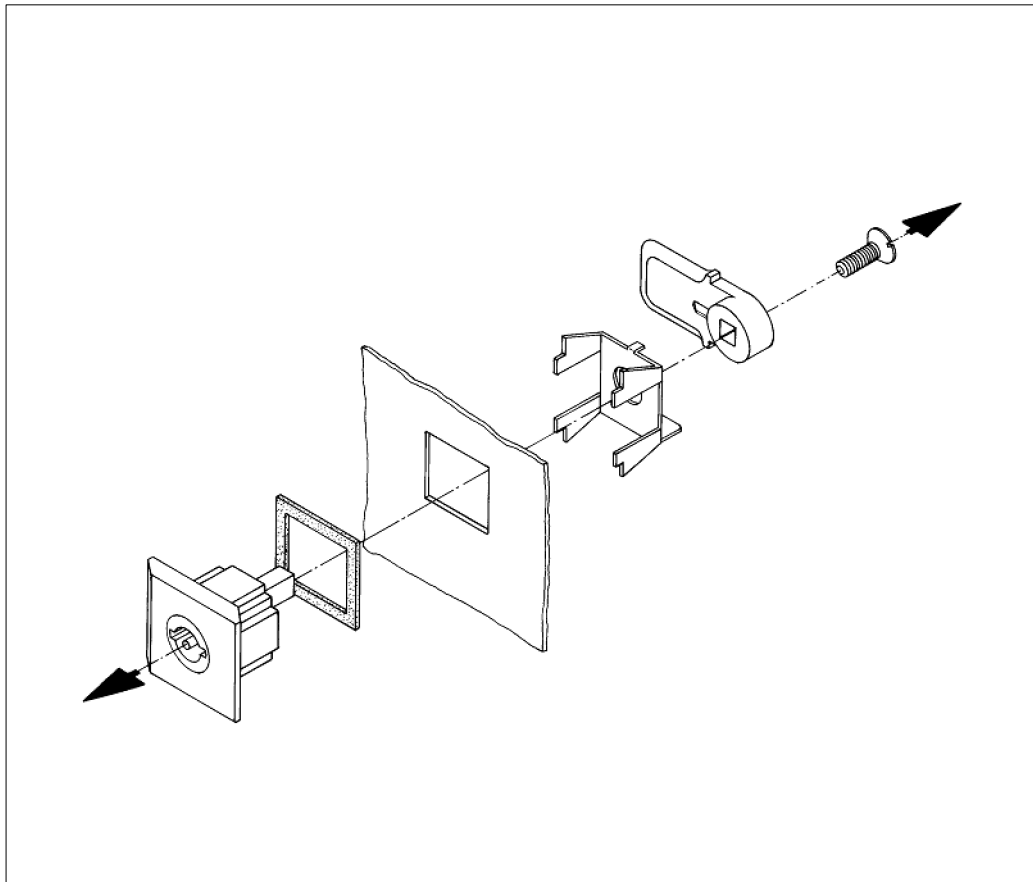




SZ
2533.000

Raum für Verpackungsdatum
Area for date of packing
(MMJJTT / MMYDD)



Zchn.-Nr. / No. of dwg. : A3780800SZ

Versandbeutel-Nr. / No. of accessory bag : -

Lieferanten-Nr. / No. of supplier :