

Rittal – The System.

Faster – better – everywhere.



Luft/Wasser-Wärmetauscher
Air/water heat exchangers
Échangeurs thermiques air/eau
Lucht/water-warmtewisselaars
Luft/vatten värmväxlare
Scambiatori di calore aria/acqua
Intercambiadores de calor aire/agua
水冷式熱交換器

3363.XXX
3364.XXX

3373.XXX
3374.XXX
3375.XXX

Montage-, Installations- und Bedienungsanleitung
Assembly and operating instructions
Notice d'emploi, d'installation et de montage
Montage- en bedieningshandleiding
Montage- och hanteringsanvisning
Istruzioni di montaggio e funzionamento
Instrucciones de montaje y funcionamiento
取扱説明書

ENCLOSURES

POWER DISTRIBUTION

CLIMATE CONTROL

IT INFRASTRUCTURE

SOFTWARE & SERVICES

FRIEDHELM LOH GROUP



Contents

1	Notes on documentation	3	6	Operation	13
1.1	Associated documents	3	6.1	Control using the Basic controller	13
1.2	CE labelling	3	6.1.1	Display and system analysis	13
1.3	Retention of documents	3	6.1.2	Properties	13
1.4	Symbols used	3	6.1.3	General programming information	13
2	Safety notes	3	6.1.4	Operation of the Basic controller	13
3	Device description	4	6.1.5	Setting the temperature	13
3.1	Functional description	4	6.1.6	Setting of system messages	14
3.1.1	How it works	4	6.1.7	Programming and control of the Basic controller	14
3.1.2	Control	4	6.1.8	Reset of r6 and r7 (min./max. internal temperature)	14
3.1.3	Bus mode (e-Comfort controller only)	4	6.1.9	System message contact (K1; floating)	15
3.1.4	Safety equipment	5	6.1.10	Programming overview of Basic controller	15
3.1.5	Condensation	5	6.2	Control using the e-Comfort controller	16
3.1.6	Leak detection (e-Comfort controller only)	5	6.2.1	Properties	16
3.1.7	Door limit switch (e-Comfort controller only)	5	6.2.2	Launching test mode	16
3.1.8	Additional interface X3 (e-Comfort controller only)	5	6.2.3	General programming information	16
3.2	Proper use	5	6.2.4	Eco-mode	17
3.3	Scope of supply	5	6.2.5	Editable parameters	18
4	Assembly and connection	6	6.2.6	Bus connection (only when interconnecting several units with an e-Comfort controller)	19
4.1	Choosing the installation site	6	6.2.7	Programming overview of e-Comfort controller	20
4.2	Assembly instructions	6	6.2.8	Defining system messages for evaluation	21
4.2.1	General	6	6.2.9	Setting the master-slave identifier	21
4.2.2	Layout of the components in the enclosure	6	6.2.10	Evaluating system messages	22
4.3	Assembling the air/water heat exchanger	7	7	Inspection and maintenance	23
4.3.1	Preparing the mounting cut-out	7	7.1	General	23
4.3.2	Assembling the air/water heat exchanger	7	8	Emptying, storage and disposal	23
4.4	Connecting the condensate discharge	9	9	Technical specifications	24
4.5	Connecting the water connection	9	10	List of spare parts	27
4.5.1	Notes on water quality	10	11	Further technical information	28
4.5.2	Preparation and maintenance of the water in recooling systems	10	11.1	Hydrological data	28
4.6	Notes on electrical installation	11	11.2	Characteristic curves	29
4.6.1	Connection data	11	11.2.1	Water resistance	29
4.6.2	Overvoltage protection and supply line load	11	12	Appendix 1: Cut-out and hole sizes	30
4.6.3	Door limit switch (e-Comfort controller only)	11	12.1	Dimensions for external and internal mounting	30
4.6.4	Potential equalisation	11	13	Appendix 2: Application example Parallel connection of 4 air/water heat exchangers	33
4.6.5	Installing the power supply	11			
5	Commissioning	13			

1 Notes on documentation

These assembly instructions are aimed at

- tradespersons who are familiar with assembly and installation of the air/water heat exchanger
- trained specialists who are familiar with the operation of the air/water heat exchanger

1.1 Associated documents

Assembly and operating instructions exist as paper documents and/or on CD-ROM for the unit types described here and are enclosed with the equipment. We cannot accept any liability for damage associated with failure to observe these instructions. Where applicable, the instructions for any accessories used also apply.

1.2 CE labelling

The declaration of conformity is supplied with the unit as a separate document.

1.3 Retention of documents

These instructions and all associated documents constitute an integral part of the product. They must be given to the plant operator. The operator is responsible for storage of the documents so they are readily available when needed.

1.4 Symbols used

-
- **The bullet point indicates an action to be performed.**
-



Danger!
Immediate danger to life and limb!



Caution!
Potential threat to the product and the environment.



Note:
Useful information and special features.

2 Safety notes

Please observe the following general safety notes when assembling and operating the unit:

- Assembly, installation and servicing may only be performed by properly trained specialists.
- The minimum water inlet temperature of +1°C must not be reduced at any point in the water cycle. Otherwise there is danger of frost damage!
- Use antifreeze agents only with the manufacturer's consent.
- Do not obstruct the air inlet and air outlet of the air/water heat exchanger inside the enclosure (see also section "4.2.2 Layout of the components in the enclosure", page 6).
- The heat loss of the components installed in the enclosure must not exceed the specific useful cooling output of the air/water heat exchanger.
- Use only original spare parts and accessories.
- Do not make any changes to the air/water heat exchanger other than those described in these instructions or associated instructions.
- The mains connector of the air/water heat exchanger must only be connected and disconnected with the system de-energised. Connect the pre-fuse specified on the rating plate.
- Always disconnect the unit from the supply voltage before servicing or maintenance work.
- Readily flammable objects/materials must not be stored in the immediate vicinity of the air/water heat exchanger.

3 Device description

EN

3 Device description

Depending on the model chosen, your air/water heat exchanger may vary in appearance from the illustrations contained in these instructions. However, the functions are identical in principle.

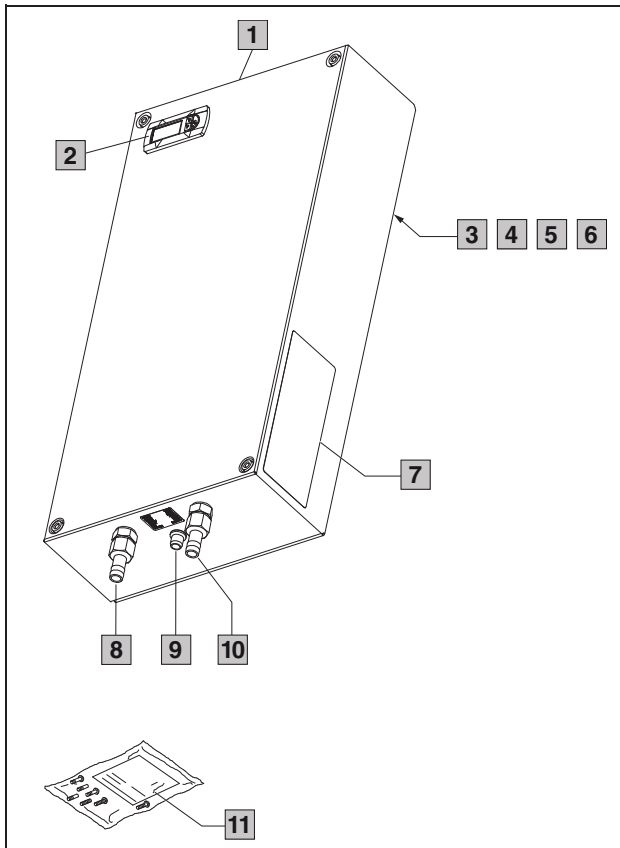


Fig. 1: Device description

Key

- 1 Cover
- 2 Display (controller)
- 3 X1 terminal strip (unit rear)
- 4 X2 master/slave connection (e-Comfort controller)
- 5 X3 optional serial interface (unit rear)
- 6 Potential equalisation
- 7 Rating plate
- 8 Cooling water inflow (underside of the unit)
- 9 Condensate discharge (underside of the unit)
- 10 Cooling water return (underside of the unit)
- 11 Dispatch bag

3.1 Functional description

Air/water heat exchangers are designed and built to dissipate heat from enclosures by cooling the air inside the enclosure and so protect the temperature-sensitive components. Air/water heat exchangers are particularly appropriate for the temperature range of up to +70°C where comparable units, such as air/air heat exchangers, enclosure cooling units or fan-and-filter units, cannot be used for system reasons to effectively and economically dissipate heat loss. The air/water heat exchanger may be externally and internally mounted on all enclosure outer walls.

3.1.1 How it works

The air/water heat exchanger comprises of the following main components (cf. fig. 2): Heat exchanger package (1), fan (2), magnetic valve (3), temperature control (4) and non-return valve (5).

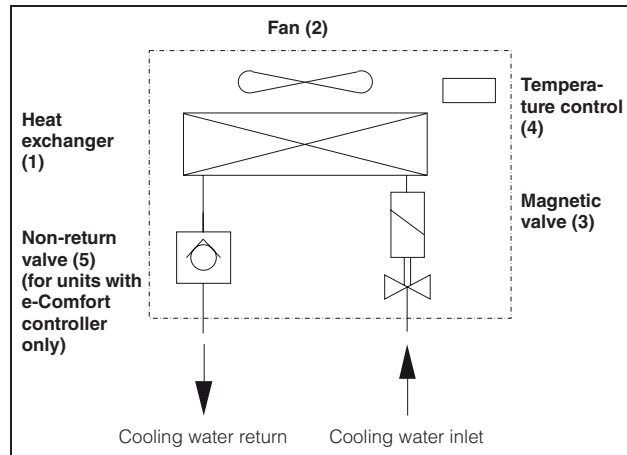


Fig. 2: Air/water heat exchanger

The heat loss of the enclosure is dissipated in a membrane heat exchanger to the water coolant. A fan (2) blows the internal enclosure air over the heat exchanger (1); except for the inlet and outlet water and the condensed water discharge, the unit is closed to the environment. The magnetic valve (3) controls the cooling output by changing the water flow volume depending on the required setpoint temperature and the water inlet temperature.

3.1.2 Control

Rittal air/water heat exchangers are fitted with a controller for setting the functions of the heat exchanger. Depending on the design, this is either a Basic controller or an e-Comfort controller (display plus extended functions, see chapter “6 Operation”, page 13).

3.1.3 Bus mode (e-Comfort controller only)

The serial unit interface X2 allows you to create a bus connection with up to ten air/water heat exchangers using the master/slave cable (shielded, four-wire cable, Model No. 3124.100). This allows you to implement the following functions:

- Parallel unit control
(the air/water heat exchangers in the network can be switched on and off simultaneously)
- Parallel door status message (“door open”)
- Parallel collective fault message

Data is exchanged via the master-slave connection. During commissioning, assign an address to each unit that also includes the identifier “master” or “slave”.

(See also chapter “6.2.9 Setting the master-slave identifier”, page 21).

3.1.4 Safety equipment

- To protect against overcurrent (depending on whether an AC or EC fan is used), the fan is equipped with thermal winding protection.
- The device has floating contacts on the connection terminal (terminals 3 – 5), which may be used to retrieve system messages from the device, e.g. via PLC (1 x change-over contact Basic controller, 2 x normally open contacts e-Comfort controller).
- Air/water heat exchangers with e-Comfort controller possess a leakage sensor and a condensate warning.

3.1.5 Condensation

At high levels of humidity and low cooling water temperatures inside the enclosure, condensation may form on the heat exchanger.

Any condensation that forms on the heat exchanger (with high humidity and low water temperatures) is routed to the bottom and out of the unit via a drain opening in the heat exchanger tray. For this purpose, a hose must be connected to the condensate nozzle (see “4.4 Connecting the condensate discharge”, page 9). The condensate must be able to run off freely. The hose used for draining off condensate must be laid free from kinks and checked for correct drainage.

Air/water heat exchangers with e-Comfort controller possess a leakage sensor and a condensate warning.

Condensate hoses are available as accessories (refer also to Accessories in the Rittal Catalogue).

3.1.6 Leak detection (e-Comfort controller only)

If a leakage or pipe breakage occurs in the water circuit of the air/water heat exchanger, a magnetic valve immediately stops the cooling water supply, the floating change-over contact is activated and the fan switched off.

3.1.7 Door limit switch (e-Comfort controller only)

The air/water heat exchanger may be operated with a door limit switch connected. The door limit switch is not included with the supply (available as an accessory, Model No. 4127.010).

The door limit switch function causes the fan and the magnetic valve in the air/water heat exchanger to be switched off after approximately 15 seconds when the enclosure door is opened (contacts 1 and 2 closed). This prevents the formation of condensation inside the enclosure while the enclosure door is open.

The fan will start up after about 15 seconds on closure of the door. The connection is made at terminals 1 and 2. The extra-low voltage is supplied by the internal power pack; the current is approx. 30 mA DC.



Note:

The door limit switches must only be connected free from potential. No external voltages!

3.1.8 Additional interface X3 (e-Comfort controller only)



Note:

The electrical signals at the interface are of an extra-low voltage (not extra-low safety voltages to EN 60 335).

An additional interface card may be connected to the 9-pole SUB-D connector X3 in order to incorporate the air/water heat exchanger into higher-level monitoring systems (available as an accessory, interface card Model No. 3124.200).

3.2 Proper use

Rittal air/water heat exchangers were developed and designed in accordance with the state of the art and the recognised rules governing technical safety. Nevertheless, if used improperly, they may pose a threat to life and limb or cause damage to property. The unit is only intended for cooling enclosures. Any other use is deemed improper. The manufacturer will not be liable for any damages caused as a result of improper use, or for incorrect assembly, installation or use. All risk is borne solely by the user. Proper usage also includes the observation of all valid documents and compliance with the inspection and servicing conditions.

3.3 Scope of supply

The unit is supplied in a packaging unit in a fully assembled state. Please check the scope of supply for completeness.

Quantity	Description
1	Air/water heat exchanger
1	Dispatch bag:
1	– Sealing tape
1	– Plug-in terminal strip
4	– Spacer bolts including assembly parts
4	– Sealing bungs (not with unit types 3363.XXX/3364.XXX)
1	– Assembly, installation and operating instructions
1	– Declaration of conformity
1	– Safety notes
1	Drilling template

Tab. 1: Scope of supply

4 Assembly and connection

4 Assembly and connection

4.1 Choosing the installation site

When choosing the installation site for the enclosure, please observe the following:

- The air/water heat exchanger must be installed and operated in a vertical position (maximum deviation: 2°).
- The ambient temperature must not exceed +70°C.
- It must be possible to fit a condensate discharge (see “4.4 Connecting the condensate discharge”, page 9).
- It must be possible to fit a cooling water supply and return (see “4.5 Connecting the water connection”, page 9).
- The mains connection data as stated on the rating plate of the unit must be guaranteed.
- For ease of servicing, appropriate access to the device must be guaranteed.

4.2 Assembly instructions

4.2.1 General

- Check the packaging carefully for signs of damage. Any packaging damage may be the cause of a subsequent functional failure.
- The enclosure must be sealed on all sides (IP 54). Increased condensation will occur if the enclosure is not airtight.
- The air inlet and outlet must not be obstructed on the inside of the enclosure.

4.2.2 Layout of the components in the enclosure



Caution! Risk of condensation! When arranging the components inside the enclosure, please ensure that the cold airflow from the air/water heat exchanger is not directed at active components. Please also ensure that the cold airflow is not directed at the warm exhaust airflow from active components such as inverters. This may lead to an air short-circuit and therefore prevent adequate climate control, or may even cause the air/water heat exchanger's internal safety devices to cease cooling operation.

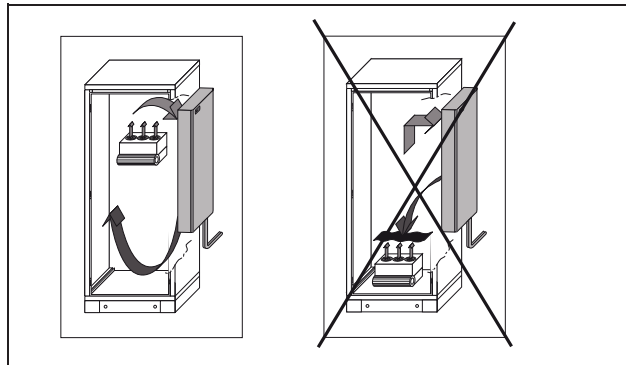


Fig. 3: Never direct the cold airflow at active components

Exercise particular caution with the airflow from the blowers of built-in electronic components (see fig. 3).



Note:

The air/water heat exchangers should never be fitted directly behind the mounting plate. If it is not possible to install the unit any other way, appropriate air baffle plates should be used, and air inlet and outlet openings should be provided in the mounting plate.

It is important to ensure even air circulation inside the enclosure. Under no circumstances should air inlet and outlet openings be obstructed, otherwise the cooling performance of the unit will be reduced. Ensure a suitable distance from electronic components and other installed enclosures so that the required air circulation is not obstructed and prevented.

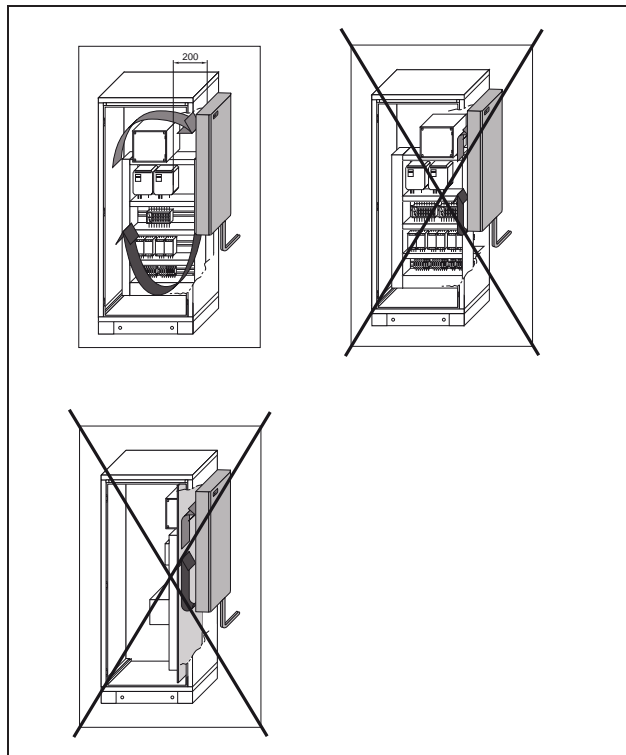


Fig. 4: Targeted air routing inside the enclosure

4.3 Assembling the air/water heat exchanger

The air/water heat exchanger can be mounted on the outer walls or the door of the enclosure.

For this purpose, the appropriate enclosure panel or door must be cut out using the supplied drilling template.

4.3.1 Preparing the mounting cut-out

■ Stick the supplied drilling template onto the side panel or door of the enclosure using adhesive tape. The heat exchanger is suitable for both external and internal mounting.

There are dimensioning lines on the drilling template to suit the installation type for your air/water heat exchanger.



Risk of injury!
Carefully deburr all cut-outs to prevent injuries caused by sharp edges.

■ Make the cut-outs including the line width as per the drilling template. Deburr the cut-outs.



Note:
In order to achieve a permanent seal between the air/water heat exchanger and the enclosure, the mounting surface should be reinforced or supported if necessary.

4.3.2 Assembling the air/water heat exchanger



Note:
For both types of mounting (internal and external), use the assembly parts supplied in the pack.

External mounting

Step 1:

■ Stick sealing tape to all four edges at the rear of the device.

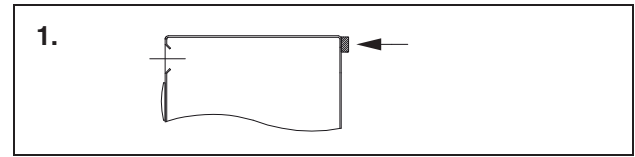


Fig. 5: Stick sealing tape to all four edges

Step 2:

■ Insert the 4 spacers (external thread) into the mounting surface through the holes, and secure from the inside of the enclosure using the relevant washers and nuts.

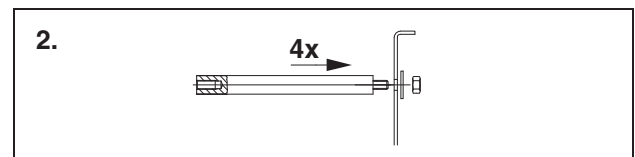


Fig. 6: Insert the spacers through the holes and secure

Step 3:

■ Push the device over the spacers and secure with the relevant rubber washers, washers and screws (observe the correct assembly sequence).

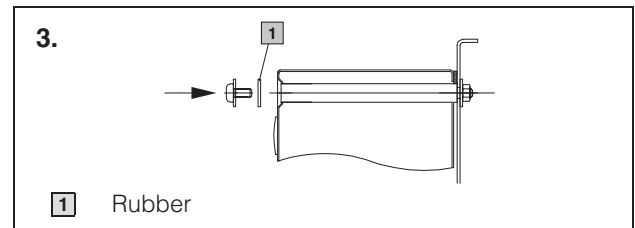


Fig. 7: Push the device over the spacers and screw-fasten



Note:

For models 3373.XXX, 3374.XXX and 3375.XXX, steps 4 and 5 are additionally required.

4 Assembly and connection

EN

Step 4:

- Twist the side locking screws in the enclosure cover in a clockwise direction as far as they will go, until the sealing tape adheres securely.

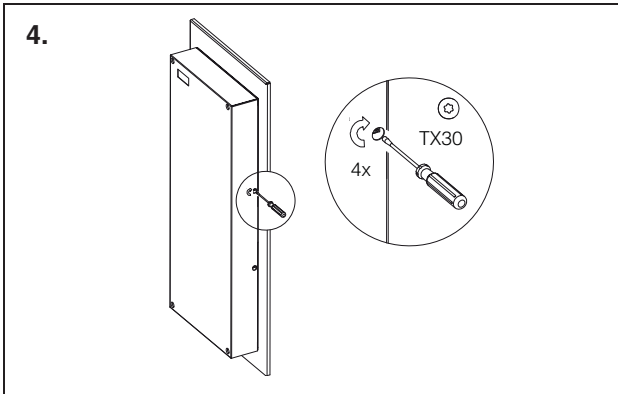


Fig. 8: Twist the screws in a clockwise direction as far as they will go

Step 5:

- Using the stoppers, seal the 4 openings in the cover.

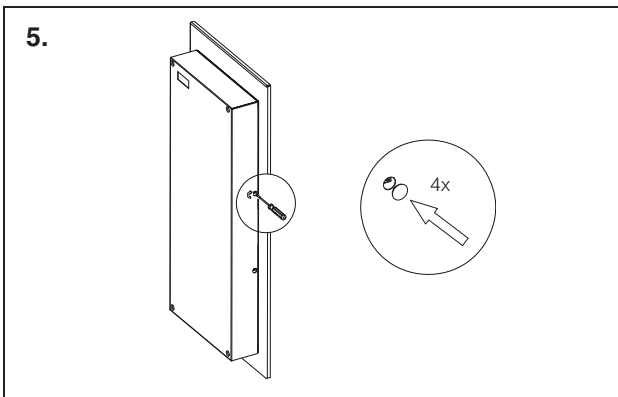


Fig. 9: Seal the openings in the cover

Full internal mounting

Step 1:

- Stick sealing tape to all four edges at the **front of the device**.

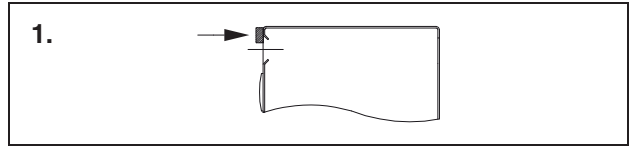


Fig. 10: Stick sealing tape to all four edges

Step 2:

- Hold the 4 spacers (internal thread) in place on the inside of the enclosure, and secure from the outside using the relevant washers and screws.

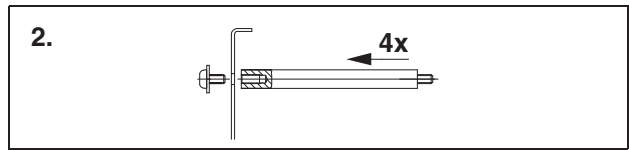


Fig. 11: Secure the spacers

Step 3:

- Push the device over the spacers and secure with the relevant washers and nuts.

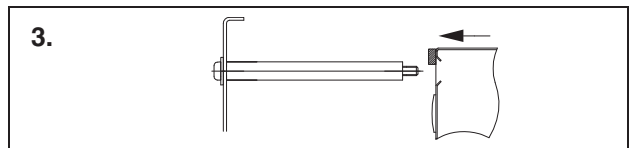


Fig. 12: Push the device over the spacers and screw-fasten



Note:

For models 3373.XXX, 3374.XXX and 3375.XXX, step 4 is additionally required.

Step 4:

- Using the stoppers, seal the 4 openings in the cover.

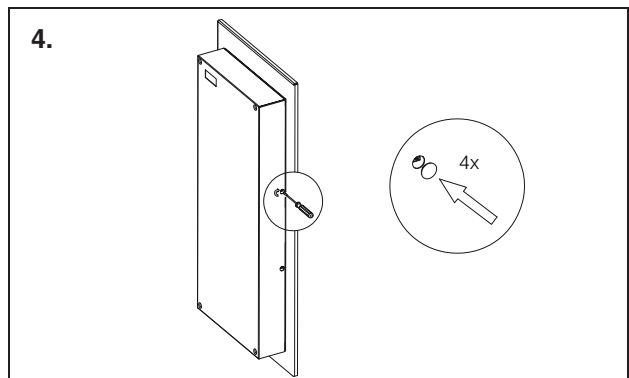


Fig. 13: Seal the openings in the cover



Note:

The enclosure must be sealed on all sides, especially in the vicinity of the cable entry openings and the enclosure base.

4.4 Connecting the condensate discharge

A flexible condensate discharge hose \varnothing 12 mm ($1/2''$) can be fitted to the air/water heat exchanger (see fig. 14).

The condensate discharge

- must be laid with a suitable and constant gradient (no siphoning).
- must be laid without kinks.
- must not have a reduced cross-section if extended.

The condensate hose is available as an accessory (refer also to Accessories in the Rittal Catalogue).

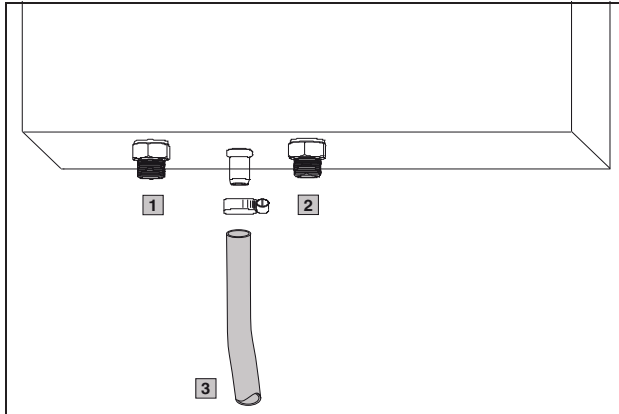


Fig. 14: Connecting the condensate discharge

Key

- 1** Cooling water connection (inlet)
- 2** Cooling water connection (return)
- 3** Condensate discharge

- Connect a suitable hose to the condensate nozzle (at the bottom of the unit) and secure it with a hose clip (with 2 Nm torque).
- Lay the condensate hose, e.g. into a drain.
- To prevent the water from backing up, the hose cross-section must not be restricted!

4.5 Connecting the water connection

There are 4 different options for connecting water to the air/water heat exchanger.

a) $1/2''$ connector sleeve (included with the supply)

In its delivered state, a compression-proof, flexible cooling water hose \varnothing 12 mm ($1/2''$) may be connected to the air/water heat exchanger for both the inlet and the return.

The cooling water hose

- must be laid without kinks
- must not have a reduced cross-section if extended and, if necessary, must be insulated.

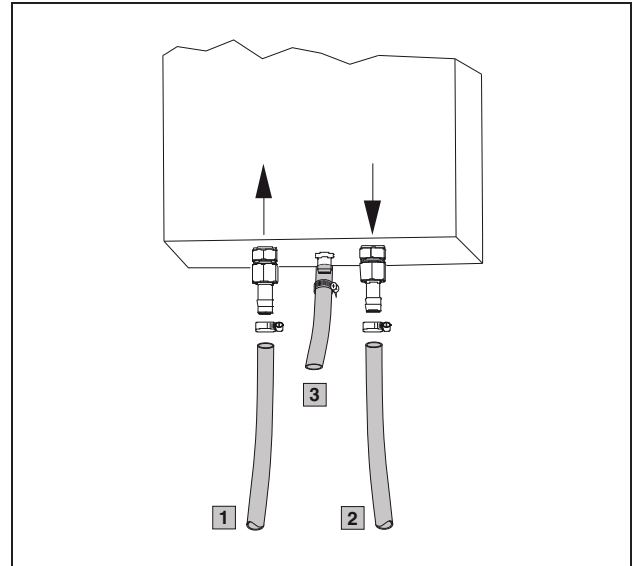


Fig. 15: Connecting the cooling water inlet and return

Key

- 1** Cooling water connection (inlet)
- 2** Cooling water connection (return)
- 3** Condensate discharge

b) Fixed pipework with G $3/8''$ external thread (included with the supply)

In its delivered state, fixed pipework with a G $3/8''$ external thread may be connected to the air/water heat exchanger for both the inlet and the return.

- To this end, you will need to remove the connector sleeve attached to the device (see fig. 16).
- The fixed pipework should be tightened with 25 Nm.

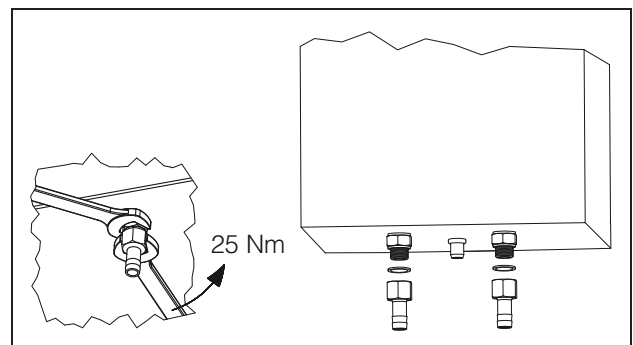


Fig. 16: Remove the connector sleeve



Note:

When loosening the connector sleeve, it is vital to ensure that the fitting on the device end is fixed with an SW22 open-jawed spanner. The connection inside the device could develop a leak.

4 Assembly and connection

EN

c) Fixed pipework with G 3/8" internal thread (Model No. 3201.900)

The G 3/8" internal thread adaptor, available as an accessory, allows you to connect fixed pipework to the air/water heat exchanger for both the inlet and the return.

- To this end, you will need to remove the connector sleeve attached to the device (see fig. 16, page 9).

d) Fixed pipework with 1/2" NPT (Model No. 3201.930)

The 1/2" NPT adaptor, available as an accessory, allows you to connect fixed pipework to the air/water heat exchanger for both the inlet and the return.

- To this end, you will need to remove the connector sleeve attached to the device (see fig. 16, page 9).



Note:

The water circuit should be protected from ingress of dirt or excess pressure (maximum permitted operating pressure 10 bar)!



Note:

Observe the flow direction and check for leaks!



Note:

The units do not have any separate ventilation. For pressure-sealed systems, install the appropriate ventilation equipment on the water side.

4.5.1 Notes on water quality

To ensure the reliable operation of the above-mentioned units, the VBG guidelines for cooling water must be observed (VGB-R 455 P).

The cooling water must not contain any limescale deposits; in other words, it should have a low level of hardness, in particular, a low level of carbonate hardness. For recooling within the plant, the carbonate hardness should not be too high. On the other hand, the water should not be so soft that it attacks the materials. When recooling the cooling water, the salt content should not be allowed to increase excessively due to the evaporation of large quantities of water, since electrical conductivity increases as the concentration of dissolved substances rises, and the water thereby becomes more corrosive.

- Always add the appropriate volume of fresh water.
- Always remove part of the enriched water.

The following criteria for the cooling water must be observed:

- Water with high gypsum content is unsuitable for cooling purposes because it has a tendency to form boiler scale that is particularly difficult to remove.
- The cooling water should be free from iron and manganese, because otherwise deposits may occur that accumulate in the pipes and block them.
- At best, organic substances should only be present in small quantities, because otherwise sludge deposits and microbiological contamination may occur.

4.5.2 Preparation and maintenance of the water in recooling systems

Depending on the type of installation to be cooled, certain requirements are placed on the cooling water with respect to purity. According to the level of contamination and the size and design of the recooling systems, a suitable process is used to prepare and/or maintain the water.

The most common types of contamination and most frequently used techniques to eliminate them in industrial cooling are:

Contamination of the water	Procedure
Mechanical contamination	Filter the water using: <ul style="list-style-type: none"> – Mesh filter – Gravel filter – Cartridge filter – Precoated filter
Excessive hardness	Water softening via ion exchange
Moderate content of mechanical contaminants and hardeners	Addition of stabilisers and/or dispersing agents to the water
Moderate content of chemical contaminants	Addition of passifiers and/or inhibitors to the water
Biological contaminants, slime bacteria and algae	Addition of biocides to the water

Tab. 2: Water contaminants

4.6 Notes on electrical installation

When performing the electrical installation, it is important to observe all valid national and regional regulations as well as the provisions of the responsible power supply company. Electrical installation must only be carried out by a qualified electrician who is responsible for compliance with the existing standards and regulations.

4.6.1 Connection data

- The connected voltage and frequency must correspond to the values stated on the rating plate.
- The air/water heat exchanger must be connected to the mains via an all-pin isolating device which ensures at least 3 mm contact opening when switched off.
- No additional temperature control may be connected upstream of the unit at the supply end.
- Install the pre-fuse cited on the rating plate (miniature circuit-breaker or gG/(gL) fuse) to protect the cable and equipment from short-circuits.
- The mains connection must ensure low-noise potential equalisation.

4.6.2 Overvoltage protection and supply line load

- The unit does not have its own overvoltage protection. Measures must be taken by the operator at the supply end to ensure effective lightning and overvoltage protection. The mains voltage must not exceed a tolerance of $\pm 10\%$.
- The fans in single-phase units are intrinsically safe (thermal winding protection). The same also applies to all transformer versions and to special-voltage units which are likewise equipped with a transformer.

4.6.3 Door limit switch (e-Comfort controller only)

- Each door limit switch must only be assigned to one air/water heat exchanger.
- Several door limit switches may be connected in parallel and operated on one air/water heat exchanger.
- The minimum cross-section of the connection cable is 0.3 mm^2 for a cable length of 2 m. We recommend the use of a shielded cable.
- The line resistance to the door limit switch must not exceed a maximum of 50Ω .
- The door limit switch only supports a floating connection; no external voltages.
- The contact of the door limit switch must be closed when the door is open.

The safety extra-low voltage for the door limit switch is provided by the internal power pack: current approx. 30 mA DC.

- Connect the door limit switch to terminals 1 and 2 of the connector.
- The door limit switch is available as an accessory (Model No. 4127.010).

4.6.4 Potential equalisation

Rittal recommends connecting a conductor with a nominal cross-section of at least 6 mm^2 to the potential equalisation connection point on the air/water heat exchanger and incorporating it into the existing potential equalisation system.

According to the standard, the PE conductor in the mains connection cable is not classified as an equipotential bonding conductor.

4.6.5 Installing the power supply

- Complete the electrical installation in accordance with the wiring plan to be found on the rear of the air/water heat exchanger.
- For devices 3363.XXX and 3364.XXX in special voltage variants, an external transformer is required (see also Rittal system accessories).
- To be able to evaluate the system messages of the air/water heat exchanger via the system message relay, a corresponding low-voltage cable must be connected additionally on terminals 3 – 5.

4 Assembly and connection

EN

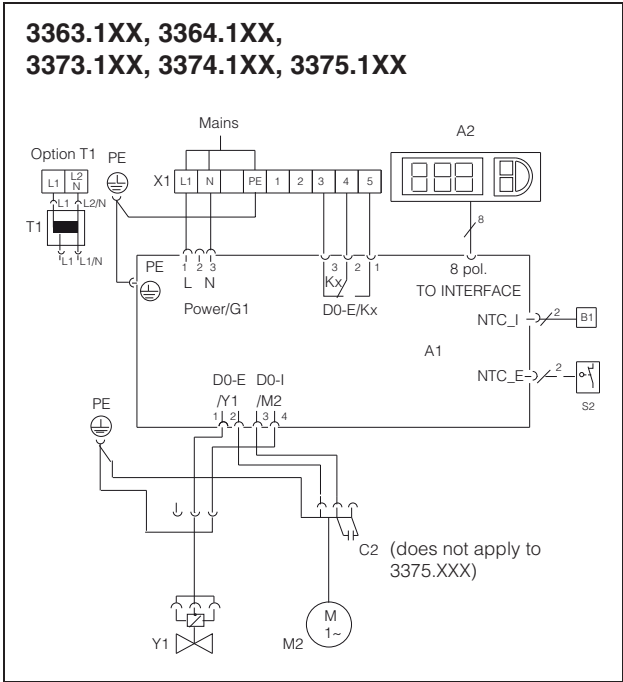


Fig. 17: Electrical wiring plan no. 1

Key

- A1 Power PCB (Basic 2)
- A2 Display terminal
- B1 Temperature sensor, internal temperature
- C2 Operating capacitors (does not apply to 3375.XXX)
- Kx Collective fault relay
- M2 Fan
- S2 Float-actuated switch (optional)
- X1 Main terminal strip (terminals 1 and 2 are free)
- Y1 Magnetic valve
- T1 Transformer (optional)

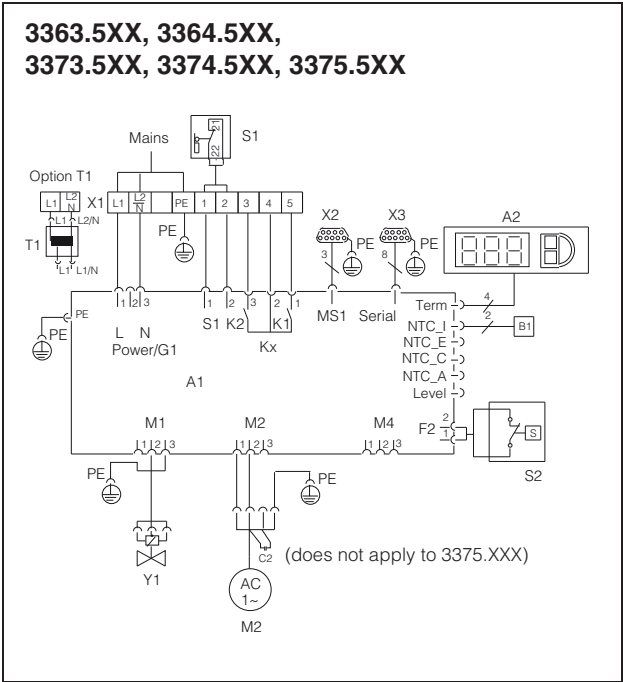


Fig. 18: Electrical wiring plan no. 2

Key

- A1 Power PCB (Comfort)
- A2 Temperature sensor
- B1 Temperature sensor, internal temperature
- Kx Relay K1 collective fault 1
Relay K2 collective fault 2
- M2 Fan
- C2 Operating capacitor (does not apply to 3375.XXX)
- S1 Door limit switch (without door limit switch: terminal 1, 2 open)
- S2 Float-actuated switch (closed without water)
- X1 Main terminal strip
- X2 Master-slave connection
- X3 Serial interface (optional)
- T1 Transformer (optional)
- Y1 Magnetic valve

Contact data Kx (Basic controller)

AC cos f = 1	DC Res. load
I _{max.} = 4 A U _{max.} = 250 V	I _{max.} = 4 A I _{min.} = 100 mA U _{max.} = 200 V U _{min.} = 10 V

Tab. 3: Contact data Kx

Contact data K1, K2 (e-Comfort controller)

AC cos f = 1	DC Res. load
I _{max.} = 2 A U _{max.} = 250 V	I _{max.} = 1 A U _{max.} = 30 V

Tab. 4: Contact data K1, K2



Note:

For technical data, refer to the rating plate.

5 Commissioning

Once all the assembly and installation work is complete, switch on the power supply to the air/water heat exchanger.

The air/water heat exchanger starts running:

- **with Basic controller:** The enclosure internal temperature is displayed.
- **with e-Comfort controller:** The software version of the controller first appears for approx. 2 sec., then the enclosure internal temperature appears in the 7-segment display.

You can now make your individual settings on the unit, e.g. set the temperature or (with e-Comfort controller only) assign the network identifier, etc. (refer to the chapter “6 Operation”, page 13).



Note on limiting the volumetric flow

From a volumetric flow of > 400 l/h, no significant increase in cooling output is achieved. Appropriate measures must be taken to regulate the flow rate, e.g. balancing valves (Model No. 3301.930/.940).

6 Operation

You can operate the air/water heat exchanger using the controller on the front of the unit (fig. 1, no. 2, page 4).

6.1 Control using the Basic controller

For unit types 3363.1XX to 3375.1XX.

6.1.1 Display and system analysis

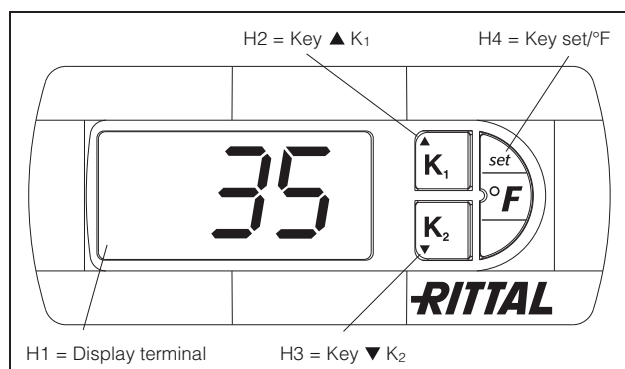


Fig. 19: Display and system analysis of the Basic controller

6.1.2 Properties

The air/water heat exchanger operates automatically, i.e. after switching on the power supply, the fan (see fig. 2, page 4) will run continuously and permanently circulate the internal enclosure air. The magnetic valve controls the cooling water flow as specified by the temperature setpoint.

The built-in Basic controller ensures automatic normal shut-down operation of the air/water heat exchanger by the value of the fixed preset switching difference of 5 K.

6.1.3 General programming information

Using buttons H2, H3 and H4 (fig. 19) you can change 3 parameters within the preset ranges (min. value, max. value). Tables 6 and 7 on page 14 show the parameters which can be altered.

6.1.4 Operation of the Basic controller

The display terminal “H1” consists of a 3-position 7-segment display which indicates the temperature in °C as well as any system messages. The current enclosure internal temperature is usually displayed permanently. In the event of a system message, this will alternate with the internal temperature display.



Note:

With the Basic controller, the temperature is preset at the factory to +35°C. In order to save energy, do not set the temperature lower than that actually necessary.

6.1.5 Setting the temperature

The setting of the enclosure internal temperature is preset at the factory to 35°C. To change the value press key H2 (▲ K₁) or H3 (▼ K₂) for one second until °1 appears in the display, then confirm with the H4 “set” key.

The set value can then be altered within the preset parameters (+20°C to +55°C) via the keys H2 (▲ K₁) or H3 (▼ K₂). Press the H4 “set” key for 5 seconds to save the new value. The current enclosure internal temperature is displayed again.

Alarm no.	System message	Cause	Remedy
H1	Internal temperature of enclosure too high	Cooling capacity inadequate/ unit undersized/ unit defective	Check cooling capacity/ check unit
LO	Internal temperature of enclosure too low	Ambient temperature too low/ no heat loss in the enclosure	Check unit
E0	Temperature sensor faulty	Malfunction, separation or temperature sensor failure	Check sensor cable and replace if necessary

Tab. 5: Warning messages on the display

6 Operation

6.1.6 Setting of system messages

To change the system messages keep the H4 “set” key pressed for 5 seconds. The controller is now in programming mode. While in programming mode, if you do not press any buttons for approx. 60 sec., the display will first flash, then the controller will switch back to normal display mode.

You can then navigate in the levels with the H2 (▲ K₁) or H3 (▼ K₂) keys (see tab. 4).

The level is selected by pressing the H4 button. The parameters are changed with the H2 (▲ K₁) or H3 (▼ K₂) keys. Press the H4 “set” key for 5 seconds to confirm the new value.

6.1.7 Programming and control of the Basic controller

See also fig. 25 on page 20.

Progr. level	Display screen	Parameters	Min. value	Max. value	Factory setting	Description
1	°1	Internal enclosure temperature setpoint T _i	20	55	35	The setting of the enclosure internal temperature is preset at the factory to 35°C and may be altered within a range of +20°C to +55°C. When the setpoint is reached, the H2 (▲ K ₁) key is lit continuously.

Tab. 6: Setting the setpoint

Progr. level	Display screen	Parameters	Min. value	Max. value	Factory setting	Description
0	Ps	–	–	–	–	No function
2	H5	Software version number	–	–	–	Displays the current version number of the device software.
3	AH	Alarm – maximum temperature	AL	+150	50	Maximum temperature alarm (NOT in relation to the nominal value). HI is displayed alternating with the internal temperature. The “HI” alarm is displayed when the internal temperature > AH. The alarm stops when the internal temperature < AH –2K.
4	AL	Alarm – minimum temperature	–50	AH	20	Minimum temperature alarm (NOT in relation to the nominal value). LO is displayed alternating with the internal temperature. The “LO” alarm is displayed when the internal temperature < AL. The alarm stops when the internal temperature > AL +2K.
5	r8	Reset of r6 and r7	0	1	0	Reset of r6 and r7. Set this parameter to 1 to reset the stored maximum and minimum values of r6 and r7 to the respective current actual value.
6	r7	Querying of the min. internal temperature	–50	+150	0	Stores the min. internal enclosure temperature occurring after > 1 min.
7	r6	Querying of the max. internal temperature	–50	+150	0	Stores the max. internal enclosure temperature occurring after > 1 min.

Tab. 7: Setting the system messages, monitoring of the min./max. enclosure internal temperature

6.1.8 Reset r6 and r7 (min./max. internal temperature)

To reset the stored internal temperatures keep the H4 “set” key pressed for 5 seconds. Navigate to level r8 with the H2 (▲ K₁) or H3 (▼ K₂) keys. Press the

H4 “set” key and change the parameter from 0 to 1 using the H2 (▲ K₁) or the H3 (▼ K₂) keys. Press the H4 “set” key for 5 seconds to confirm resetting the values.

6.1.9 System message contact (K1; floating)

The relay is normally closed. All assigned system messages lead to the relay dropping out – and likewise to loss of the control voltage. Terminal strip X1 provides the connection. For contact data and occupancy – see the wiring diagram in chapter “4.6.5 Installing the power supply”, page 11.

K1 fault signal relay

(normally open contact/change-over contact)

- Terminal 3: NC (normally closed)
- Terminal 4: C (connection of the supply voltage to the fault signal relay)
- Terminal 5: NO (normally open)

The NC and NO definitions refer to the de-energised state. The switching position of the terminals changes under mains voltage.

6.1.10 Programming overview of Basic controller

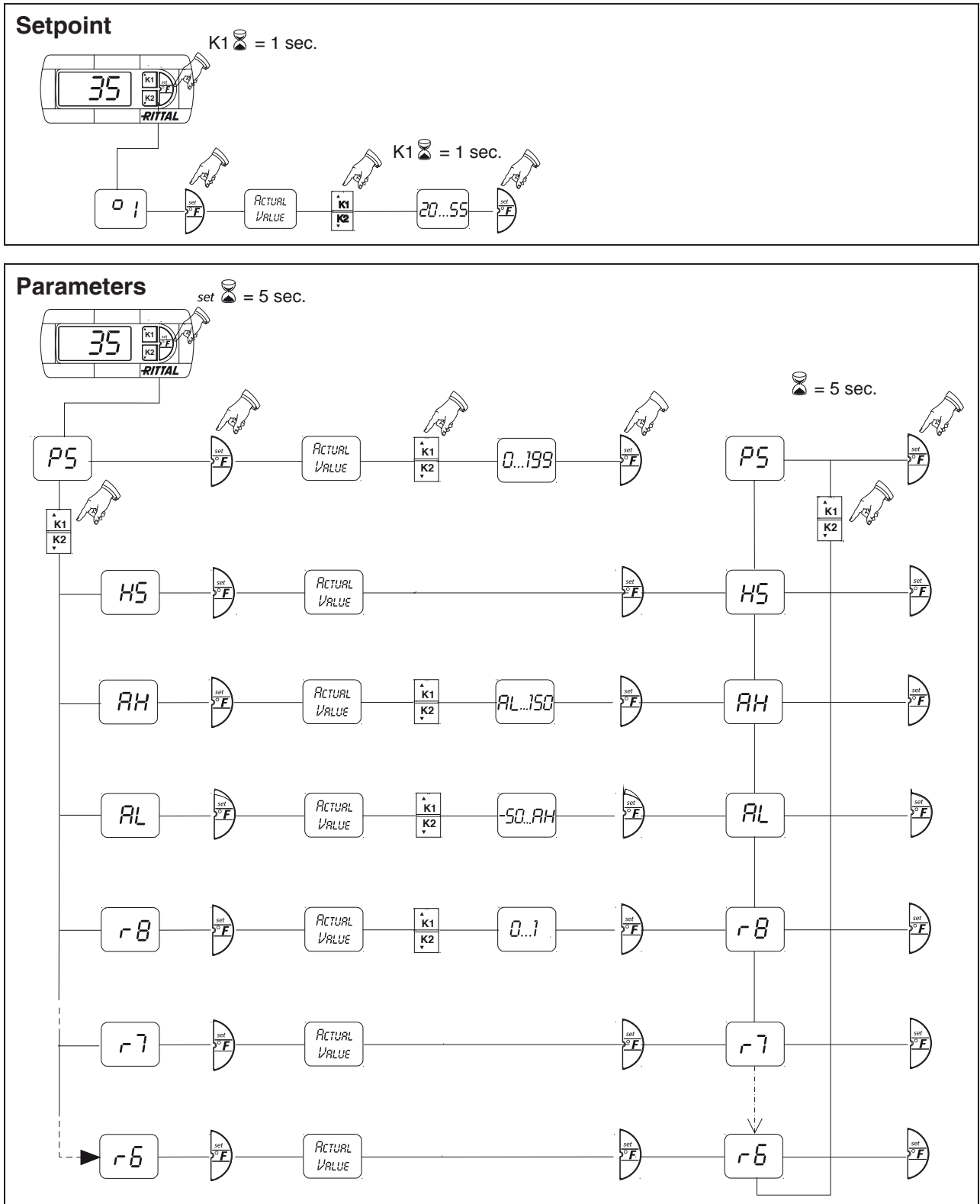


Fig. 20: Programming overview of Basic controller
Rittal air/water heat exchanger assembly instructions

6 Operation

EN

6.2 Control using the e-Comfort controller

For unit types 3363.5XX to 3375.5XX.

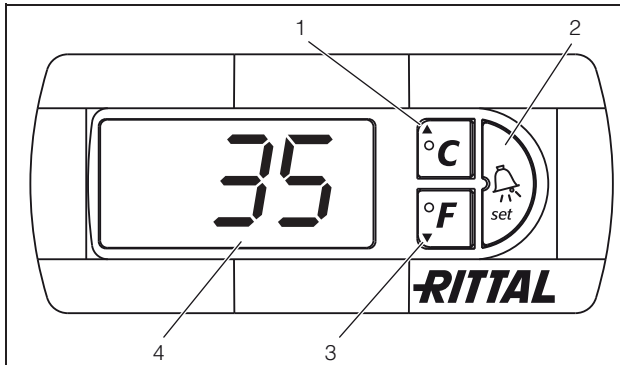


Fig. 21: Display and system analysis of the e-Comfort controller

Key

- 1 Programming button, also display of the set temperature unit (degrees Celsius)
- 2 Set button
- 3 Programming button, also display of the set temperature unit (degrees Fahrenheit)
- 4 7-segment display

6.2.1 Properties

- Door limit switch function
- Monitoring of all motors (fans)
- Master-slave function with a maximum of ten units. One device functions as a master unit. Once the set temperature is reached by one of the connected slave units or in the event of the door limit switch function, the affected slave unit will report to the master unit, which will switch all the other air/water heat exchangers on or off as required.
- Switching hysteresis: adjustable from 2 – 10 K, preset to 5 K.
- Visualisation of the current enclosure internal temperature and all error messages in the 7-segment display.

The air/water heat exchanger operates automatically, i.e. after switching on the power supply, the fan (see fig. 2, page 4) will run continuously and permanently circulate the internal enclosure air. The fan and the magnetic valve are controlled by the e-Comfort controller.

The e-Comfort controller has a 7-segment display (fig. 21, no. 4). After switching on the power supply, the current software version initially appears on this display for approx. 2 seconds. In regular operation, the display shows both the temperature (in degrees Celsius or Fahrenheit – users may switch between the two) and any error messages.

The current enclosure internal temperature is usually displayed permanently. In the event of an error message, this alternates with the temperature display. The unit is programmed using buttons 1 – 3 (fig. 21). The relevant parameters also appear in the display.

6.2.2 Launching test mode

The e-Comfort controller is equipped with a test function, whereby the air/water heat exchanger commences cooling operation independently of the set temperature or door limit switch function.

- Simultaneously press buttons 1 and 2 (fig. 21) for at least 5 seconds.

The air/water heat exchanger starts running.

After approximately 5 minutes or upon reaching 15°C, test mode will end. The unit switches off and changes to normal operation.

6.2.3 General programming information

Using buttons 1, 2 and 3 (fig. 21) you can change the parameters within the preset ranges (min. value, max. value).

Tables 8 and 9 show the parameters which can be altered. fig. 25 on page 20 shows which buttons must be pressed.



Note on switching hysteresis:

With a low hysteresis and short switching cycles, there is a risk that cooling may not be adequate or that only partial sections of the enclosure are cooled.

Note on temperature settings:

With the e-Comfort controller, the temperature is preset at the factory to +35°C. In order to save energy, do not set the temperature lower than that actually necessary.

In principle, the programming is identical for all editable parameters.

To enter programming mode:

- Press button 2 ("set") for approx. 5 seconds.

The controller is now in programming mode.

While in programming mode, if you do not press any buttons for approx. 30 sec., the display will first flash, then the controller will switch back to normal display mode. The “Esc” display indicates that any changes made have not been saved.

- Press the programming buttons ▲ (°C) or ▼ (°F) to switch back and forth between the editable parameters (see tables 5 and 6).
- Press button 2 (“set”) to select the displayed parameter for editing.

The current value of this parameter is displayed.

- Press one of the programming buttons ▲ (°C) or ▼ (°F).

The “Cod” display will appear. In order to be able to change a value, you must enter the authorisation code “22”.

- Keep the programming button ▲ (°C) held down until “22” appears.
- Press button 2 (“set”) to confirm the code.

You can now alter the parameter within the preset limits.

- Press one of the programming buttons ▲ (°C) or ▼ (°F) until the required value appears.
- Press button 2 (“set”) to confirm the change.

You can now alter other parameters in the same way. There is no need to re-enter the authorisation code “22”.

- To exit programming mode, press button 2 (“set”) again for approximately 5 seconds.

“Acc” will appear in the display to indicate that the changes have been saved. The display then switches back to regular operation (enclosure internal temperature).

You can also program the e-Comfort controller using a diagnosis software package (Model No. 3159.100), the supply of which also includes a connection cable to the PC. The cable connector on the rear of the e-Comfort controller display serves as an interface.

6.2.4 Eco-mode

All Rittal TopTherm heat exchangers with e-Comfort controller from firmware 3.2 have the energy-saving eco-mode, which is activated in the delivered state. The eco-mode is used to save energy in the heat exchanger if there is no thermal load, or there is a low thermal load in the enclosure (e.g. standby operation, no production or weekend). During this process the heat exchanger fan in the internal circuit is switched off as appropriate if the actual enclosure internal temperature drops to 10 K below the setpoint temperature set. Also to reliably measure the internal temperature during this process, the fan starts cyclically for 30 sec. every 10 minutes (see fig. 21). If the internal temperature reaches the range 5 K below the setpoint set again, the fan switches back to continuous operation. If required, the eco-mode can be deactivated via the control display. For this purpose switch the parameter from 1 to 0 in the programming level (see tab. 8, page 18). The fan then runs continuously.

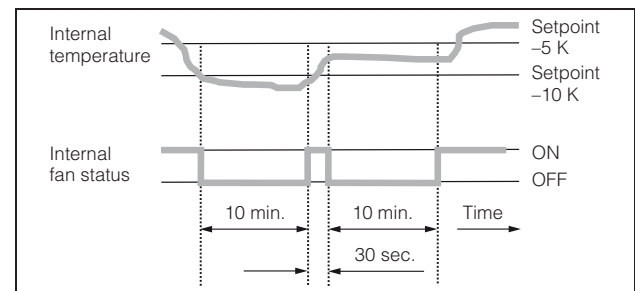


Fig. 22: Diagram of eco-mode

6 Operation

6.2.5 Editable parameters

See also fig. 25 on page 20.

Progr. level	Display screen	Parameters	Min. value	Max. value	Factory setting	Description
1	St	Internal enclosure temperature setpoint T_i	20	55	35	The setting of the enclosure internal temperature is preset at the factory to 35°C and may be altered within a range of 20 – 55°C.
2	Mod	Control mode	0	1	0	Control mode setting. The temperature control is made as factory setting with the magnetic valve (0). It is, however, possible to change the temperature control by starting and stopping the internal fan (1); the magnetic valve then remains permanently open. To use this control mode, the Eco parameter must be changed from 1 (on) to 0 (off).
3	Ad	Master-slave identifier	0	19	0	See “6.2.9 Setting the master-slave identifier”, page 21.
4	CF	Change-over °C/°F	0	1	0	The temperature display can be switched from °C (0) to °F (1). The corresponding LED displays the current temperature unit.
5	H1	Setting for switching difference (hysteresis)	2	10	5	The air/water heat exchanger is preset in the factory to a switching hysteresis of 5 K. This parameter should only be changed in consultation with us. Please contact us for advice.
6	H2	Differential for error message A2	3	15	5	If the internal enclosure temperature exceeds the set value by more than 5 K, then error message A2 (enclosure internal temperature too high) appears on the display terminal. If necessary, the differential may be altered here within the range of 3 – 15 K.
26	ECO	Eco-mode operation	0	1	1	Eco-mode OFF: 0 / Eco-mode ON: 1

Tab. 8: Editable parameters

6.2.6 Bus connection (only when interconnecting several units with an e-Comfort controller)

When using several air/water heat exchangers, the serial unit interface can be used to connect up to ten air/water heat exchangers with the bus cable (Model No. 3124.100).



Note:

The electrical signals at the X2 interface are of an extra-low voltage (not extra-low safety voltages in accordance with EN 60 335-1).

When interconnecting, please note the following:

- De-energise the air/water heat exchangers to be connected.
- Ensure proper electrical insulation.
- Make sure the cables are not laid in parallel to power lines.
- Make sure that the lines are short.

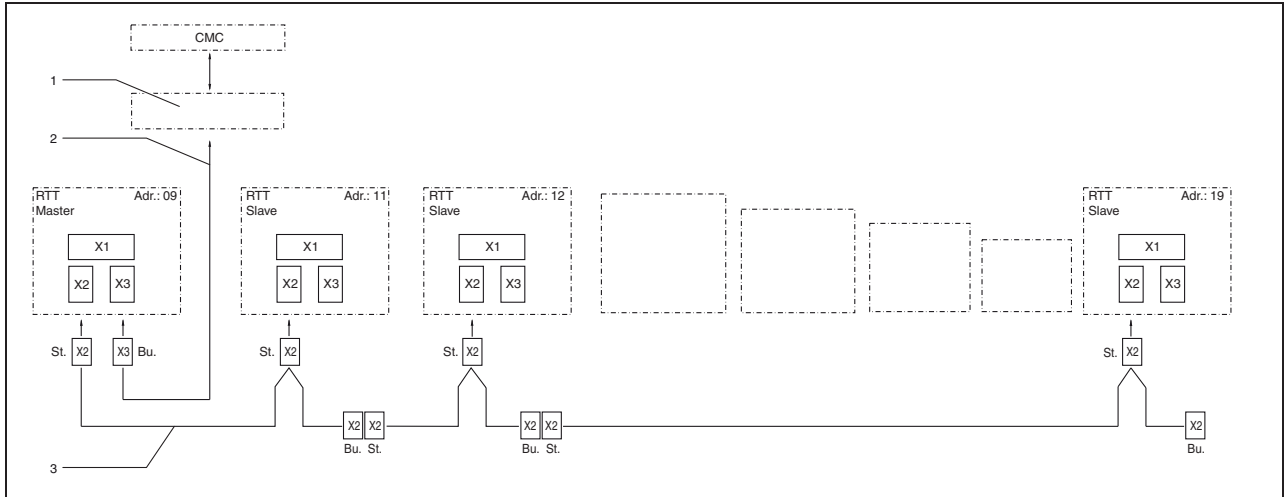


Fig. 23: Connection example: Master-slave operation

Key

- | | | | |
|-----|---|------|---------------------------------------|
| 1 | Serial interface | X2 | Master-slave connection Sub-D, 9-pole |
| 2 | Serial interface cable | X3 | Serial interface Sub-D, 9-pole |
| 3 | Master-slave bus cable (Model No. 3124.100) | St. | Sub-D connector, 9-pole |
| RTT | Rittal TopTherm air/water heat exchanger | Bu. | Sub-D jack, 9-pole |
| X1 | Supply connection/Door limit switch/Alarms | Adr. | Address |

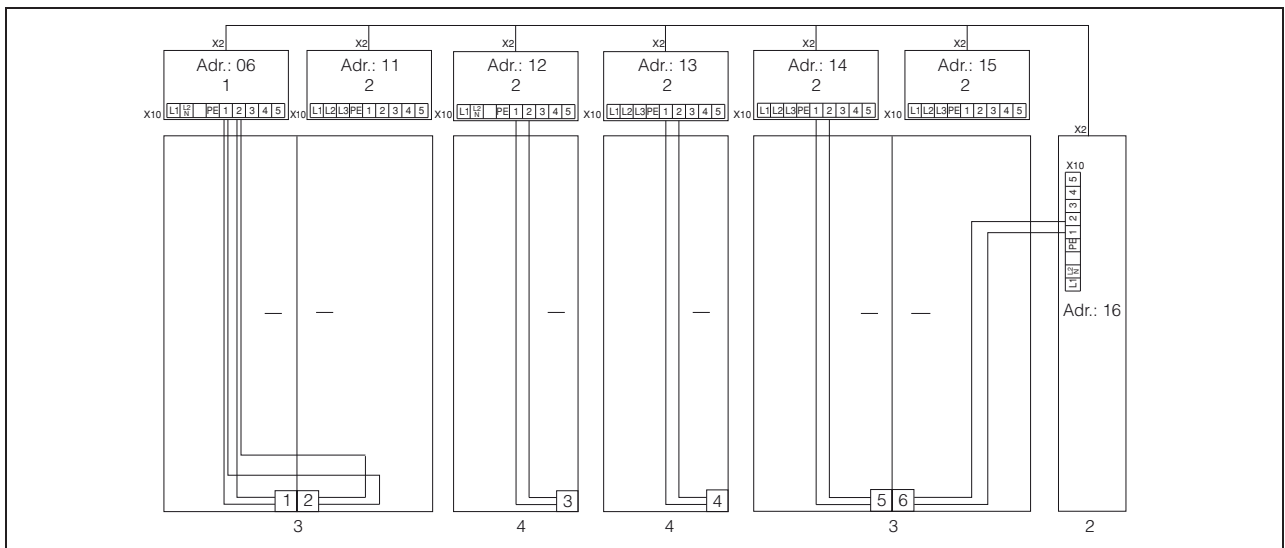


Fig. 24: Connection example: Door limit switch and master-slave operation

Key

- | | |
|---|---|
| 1 | Master air/water heat exchanger |
| 2 | Slave air/water heat exchanger |
| 3 | 2-door enclosure with two door limit switches |
| 4 | Enclosure with door limit switch |

6 Operation

6.2.7 Programming overview of e-Comfort controller

EN

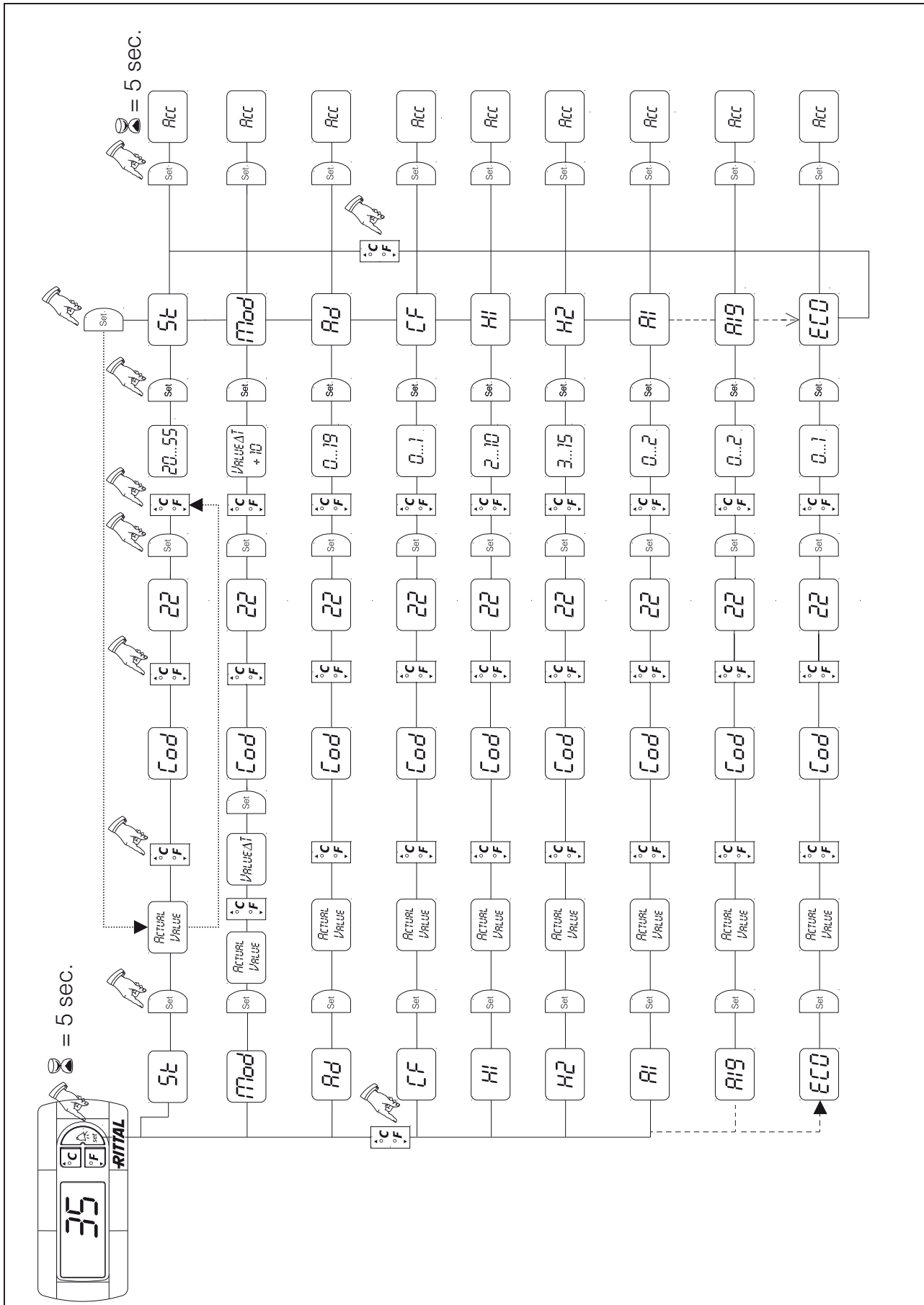


Fig. 25: Programming overview of e-Comfort controller

6.2.8 Defining system messages for evaluation

System messages are shown on the display screen of the e-Comfort controller via the displays A01 to A20 and E0.

A more detailed explanation of the system messages may be found in section “6.2.10 Evaluating system messages”, page 22. See also fig. 25 on page 20.

Progr. level	Display screen	Min. value	Max. value	Factory setting	Type or location of fault
7	A01	0	2	0	Enclosure door open
8	A02	0	2	0	Internal temperature of enclosure too high
9	A08	0	2	1	Condensate warning
10	A10	0	2	1	Fan blocked or defective
11	A16	0	2	1	Internal temperature sensor
12	A18	0	2	1	EPROM
13	A19	0	2	0	LAN/Master-Slave
14	A20	0	2	0	Voltage drop

Tab. 9: System messages which may be evaluated via relays

The system messages A01 – A20 may additionally be evaluated via two floating system message relays. In this way, one of the two system message relays may be allocated to each system message. System message relays with normally open contact, see wiring diagrams at section “4.6.5 Installing the power supply”, page 11:

- Terminal 3: NO (normally open, relay 2)
- Terminal 4: Connection of the supply voltage to the system message relay
- Terminal 5: NO (normally open, relay 1)

The definition NO refers to the de-energised state. As soon as power is applied to the air/water heat exchanger, both system message relays (relay 1 and 2) energise.

This is the normal operating state of the air/water heat exchanger.

As soon as a system message occurs or the power supply is interrupted, the corresponding relay will drop out and open the contact.

Program system messages with the value

- 0: System message is not sent to the system message relays, but merely appears in the display
- 1: System message is evaluated by relay 1
- 2: System message is evaluated by relay 2
- 3: System message is neither sent to the system message relay, nor does it appear in the display (setting can only be made using RiDiag software)

6.2.9 Setting the master-slave identifier

When several air/water heat exchangers are connected together (maximum 10), one of the air/water heat exchangers must be defined as the “master” and the others as “slaves”. For this purpose, assign a corresponding identifier (address) to each air/water heat exchanger which will enable the air/water heat exchanger to be identified in the network.

If one of the slave units reaches the set temperature or if the door limit switch function is activated, the affected slave unit will report to the master unit, which then deactivates all the other air/water heat exchangers.



Notes:

- Only one unit may be configured as master, and its identifier must match the number of connected slave units.
- The slave units must have different identifiers.
- The identifiers must be numbered in ascending order without any gaps.

6 Operation

EN

On the **master air/water heat exchanger** (00 = factory setting), set the number of slave units present in the network:

- 01: Master with 1 slave air/water heat exchanger
- 02: Master with 2 slave air/water heat exchangers
- 03: Master with 3 slave air/water heat exchangers
- 04: Master with 4 slave air/water heat exchangers
- 05: Master with 5 slave air/water heat exchangers
- 06: Master with 6 slave air/water heat exchangers
- 07: Master with 7 slave air/water heat exchangers
- 08: Master with 8 slave air/water heat exchangers
- 09: Master with 9 slave air/water heat exchangers

On the **slave air/water heat exchanger** (00 = factory setting), set its own address:

- 11: Slave air/water heat exchanger No. 1
- 12: Slave air/water heat exchanger No. 2
- 13: Slave air/water heat exchanger No. 3
- 14: Slave air/water heat exchanger No. 4
- 15: Slave air/water heat exchanger No. 5
- 16: Slave air/water heat exchanger No. 6
- 17: Slave air/water heat exchanger No. 7
- 18: Slave air/water heat exchanger No. 8
- 19: Slave air/water heat exchanger No. 9

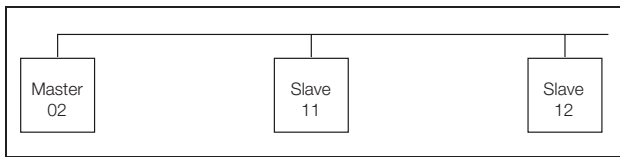


Fig. 26: Master-slave connection (example)

For details of how to set the identifier, see “6.2.5 Editable parameters”, page 18 or “6.2.7 Programming overview of e-Comfort controller”, page 20, parameter “Ad”.

6.2.10 Evaluating system messages

In the e-Comfort controller, system messages are indicated by a number in the display.

Display screen	System message	Possible cause	Measures to rectify the fault
A01	Enclosure door open	Door open or door limit switch incorrectly positioned	Close door, position door limit switch correctly, check connection if necessary
A02	Internal temperature of enclosure too high	Cooling capacity inadequate/ unit undersized	Check cooling capacity
A08	Condensate warning	Condensate discharge kinked or blocked	Check condensate drainage; correct any kinks or blockages in the hose
A10	Fan	Blocked or defective	Clear the blockage; replace if necessary
A16	Internal temperature sensor	Open or short-circuit	Replace
A18	EPROM error	New board installed incorrectly	Software update needed (only following board installation with more recent software): Enter the programming level with Code 22; press button 1 and confirm with “set” until “Acc” appears. Next, disconnect the unit from the mains and reconnect.
A19	LAN/Master-Slave	Master and slave not connected	Check setting and cable
A20	Voltage drop	Error display not shown	Event is stored in the log file
E0	Display message	Connection problem between the display and the controller board	Reset: Switch power supply off, then switch on again after approx. 2 sec.
		Cable defective; connection loose	Replace the boards

Tab. 10: Troubleshooting with the e-Comfort controller

7 Inspection and maintenance



Risk of electric shock!

The unit is live. Switch off the power supply before opening, and take suitable precautions against it being accidentally switched on again.

7.1 General

The air/water heat exchanger is largely maintenance free. The water circuit is checked at the factory for leaks and subjected to a function trial run.

The installed maintenance-free fan is mounted on ball bearings, protected against moisture and dust, and fitted with a temperature monitor. The life expectancy is at least 30,000 operating hours. If dirt is present in the cooling water, a filter must be fitted.

Maintenance interval: 2,000 operating hours.



Caution!

Risk of fire!

Never use flammable liquids for cleaning.

Sequence of maintenance measures:

- Check the level of dirt.
- Activate test mode; cooling function OK?
- Check the noise generation of the fan.

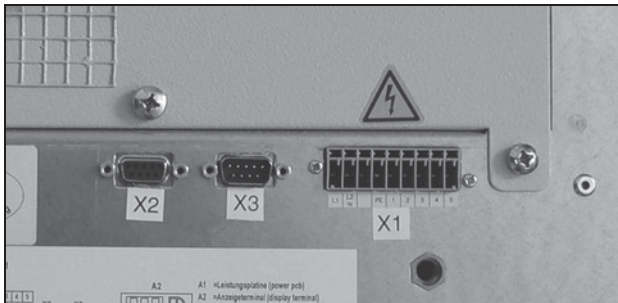


Fig. 27: Disconnect the mains plug (X1) (Comfort version shown in figure)

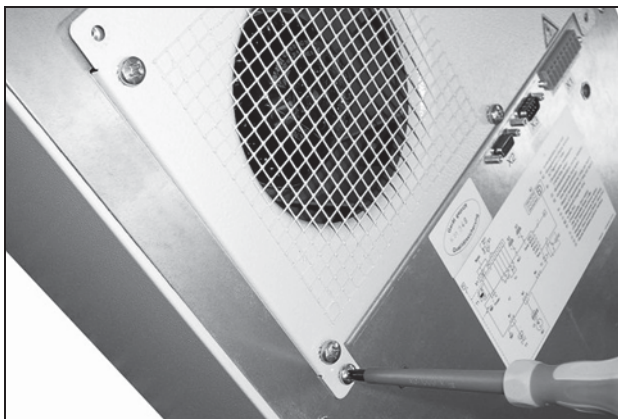


Fig. 28: Remove the fastening screws for the cover with fan

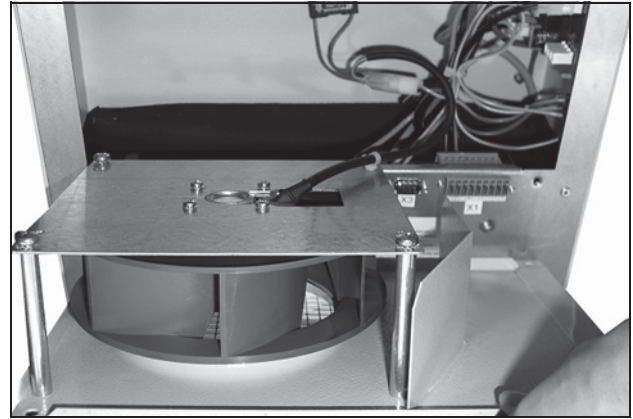


Fig. 29: Remove the cover with fan

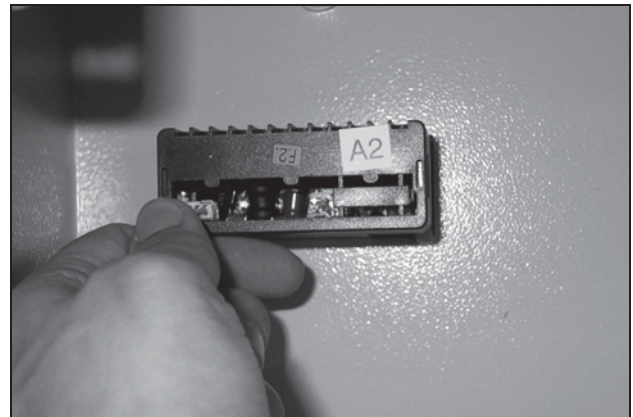


Fig. 30: Disconnect the connector from the display

8 Emptying, storage and disposal



Caution! Risk of damage!

The air/water heat exchanger must not be subjected to temperatures above +70°C during storage.

During storage, the air/water heat exchanger must stand upright.

Disposal can be performed at the Rittal plant. Please contact us for advice.

Emptying (for units with Basic controller only):

During storage and transportation below freezing point, the air/water heat exchanger should be drained completely in the water supply direction using compressed air. This requires that the magnetic valve is opened.

For the e-Comfort controller, this is achieved by simultaneously pressing the H2 (°C key) and H4 (/set key) keys for 5 seconds. The magnetic valve is then opened for approximately 5 minutes.

9 Technical specifications

9 Technical specifications

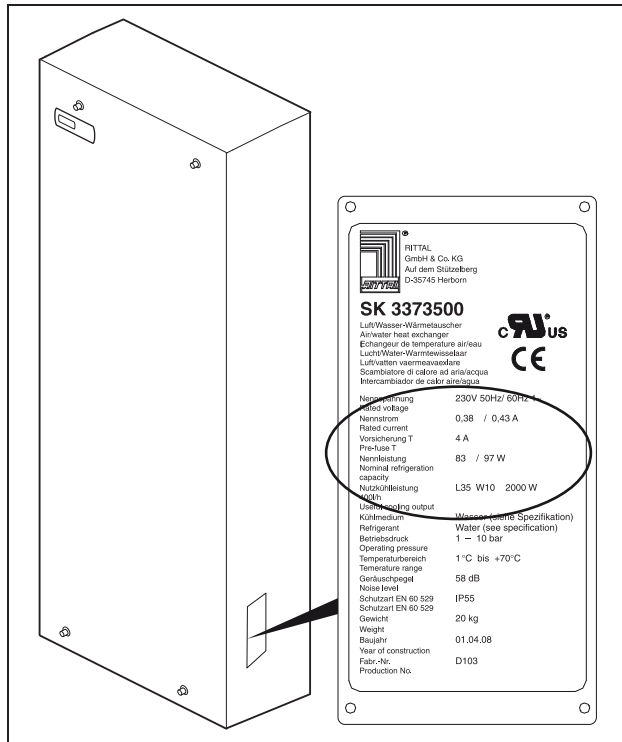


Fig. 31: Rating plate (Technical specifications)

- Observe the mains connection data (voltage and frequency) as per the rating plate.
- Observe the pre-fuse as per the specifications on the rating plate.

	Unit	Model No.			
Basic controller, RAL 7035	–	3363.100	3363.104	3364.100	3364.104
e-Comfort controller, RAL 7035	–	3363.500	3363.504	3364.500	3364.504

Rated voltage	Volt Hz	230, 1~, 50/60			
Rated current	A	0.18/0.18			
Pre-fuse T	A	4.0			
Motor circuit-breaker	A	–	–	–	–
Transformer circuit-breaker	A	–	–	–	–
Miniature circuit-breaker or gG slow fuse (T)	–	■	■	■	■
Total cooling power P_c to DIN 3168	L35 W10 400 l/h kW	0.5		1.0	0.95
Power consumption P_{el} to DIN 3168	kW	0.037/0.038			
Water connection	–	$1/2$ " hose nozzle or G $3/8$ " external thread			
Air throughput per fan (unimpeded air flow)	m ³ /h	290/345			
Permissible pressure	bar	1...10			
Operating temperature range	°C	+1...+70			
Setting range	°C	+20...+55			
Noise level	dB (A)	42		44	
Protection category to IEC 60 529	–	IP 55			
Dimensions (W x H x D)	mm	280 x 550 x 120			
Weight	kg	8		9	

9 Technical specifications

EN

	Unit	Model No.					
Basic controller, RAL 7035	–	3373.100	3373.110	3373.140	3373.104	3373.114	3373.144
e-Comfort controller, RAL 7035	–	3373.500	3373.510	3373.540	3373.504	3373.514	3373.544

Rated voltage	Volt Hz	230, 1~, 50/60	115, 1~, 50/60	400, 2~, 50/60	230, 1~, 50/60	115, 1~, 50/60	400, 2~, 50/60
Rated current	A	0.49/0.61	0.98/1.25	0.28/0.35	0.49/0.61	0.98/1.25	0.28/0.35
Pre-fuse T	A	4.0	–	–	4.0	–	–
Motor circuit-breaker	A	–	–	–	–	–	–
Transformer circuit-breaker	A	–	3.5...5.0	3.5...5.0	–	3.5...5.0	3.5...5.0
Miniature circuit-breaker or gG slow fuse (T)	–	■	–	–	■	–	–
Total cooling power P _c to DIN 3168 L35 W10 400 l/h	kW	2.0					
Power consumption P _{el} to DIN 3168	kW	0.11/0.14					
Water connection	–	1/2" hose nozzle or G 3/8" external thread					
Air throughput of fans (unimpeded air flow)	m ³ /h	880/950					
Permissible pressure	bar	1...10					
Water inlet temperature	°C	+1...+30					
Operating temperature range	°C	+1...+70					
Setting range	°C	+20...+55					
Noise level	dB (A)	50					
Protection category to IEC 60 529	–	IP 55					
Dimensions (W x H x D)	mm	400 x 950 x 145					
Weight	kg	20	23	20	23	20	23

	Unit	Model No.					
Basic controller, RAL 7035	–	3374.100	3374.110	3374.140	3374.104	3374.114	3374.144
e-Comfort controller, RAL 7035	–	3374.500	3374.510	3374.540	3374.504	3374.514	3374.544

Rated voltage	Volt Hz	230, 1~, 50/60	115, 1~, 50/60	400, 2~, 50/60	230, 1~, 50/60	115, 1~, 50/60	400, 2~, 50/60
Rated current	A	0.76/1.01	1.55/2.05	0.44/0.58	0.76/1.01	1.55/2.05	0.44/0.58
Pre-fuse T	A	4.0	–	–	4.0	–	–
Motor circuit-breaker	A	–	–	–	–	–	–
Transformer circuit-breaker	A	–	3.5...5.0	3.5...5.0	–	3.5...5.0	3.5...5.0
Miniature circuit-breaker or gG slow fuse (T)	–	■	–	–	■	–	–
Total cooling power P _c to DIN 3168 L35 W10 400 l/h	kW	3.0			2.8		
Power consumption P _{el} to DIN 3168	kW	0.17/0.23					
Water connection	–	1/2" hose nozzle or G 3/8" external thread					
Air throughput of fans (unimpeded air flow)	m ³ /h	1150/1300					
Permissible pressure	bar	1...10					
Water inlet temperature	°C	+1...+30					
Operating temperature range	°C	+1...+70					
Setting range	°C	+20...+55					
Noise level	dB (A)	60					
Protection category to IEC 60 529	–	IP 55					
Dimensions (W x H x D)	mm	400 x 950 x 145					
Weight	kg	23	26	23	26	23	26

9 Technical specifications

EN

	Unit	Model No.					
Basic controller, RAL 7035	–	3375.100	3375.110	3375.140	3375.104	3375.114	3375.144
e-Comfort controller, RAL 7035	–	3375.500	3375.510	3375.540	3375.504	3375.514	3375.544
Rated voltage	Volt, Hz	230, 1~, 50/60	115, 1~, 50/60	400, 2~, 50/60	230, 1~, 50/60	115, 1~, 50/60	400, 2~, 50/60
Rated current	A	1.45/1.45	2.25/2.25	0.80/0.80	1.45/1.45	2.25/2.25	0.80/0.80
Pre-fuse T	A	4.0	–	–	4.0	–	–
Motor circuit-breaker	A	–	–	–	–	–	–
Transformer circuit-breaker	A	–	3.5...5.0	3.5...5.0	–	3.5...5.0	3.5...5.0
Miniature circuit-breaker or gG slow fuse (T)	–	■	–	–	■	–	–
Total cooling power P _c to DIN 3168 L35 W10 400 l/h	kW	5			4.5		
Power consumption P _{el} to DIN 3168	kW	0.17/0.17	0.18/0.18		0.17/0.17	0.18/0.18	
Water connection	–	1/2" hose nozzle or G 3/8" external thread					
Air throughput of fans (unimpeded air flow)	m³/h	1490/1660					
Permissible pressure	bar	1...10					
Water inlet temperature	°C	+1...+30					
Operating temperature range	°C	+1...+70					
Setting range	°C	+20...+55					
Noise level	dB (A)	62					
Protection category to IEC 60 529	–	IP 55					
Dimensions (W x H x D)	mm	450 x 1400 x 220					
Weight	kg	39	42		39	42	

10 List of spare parts

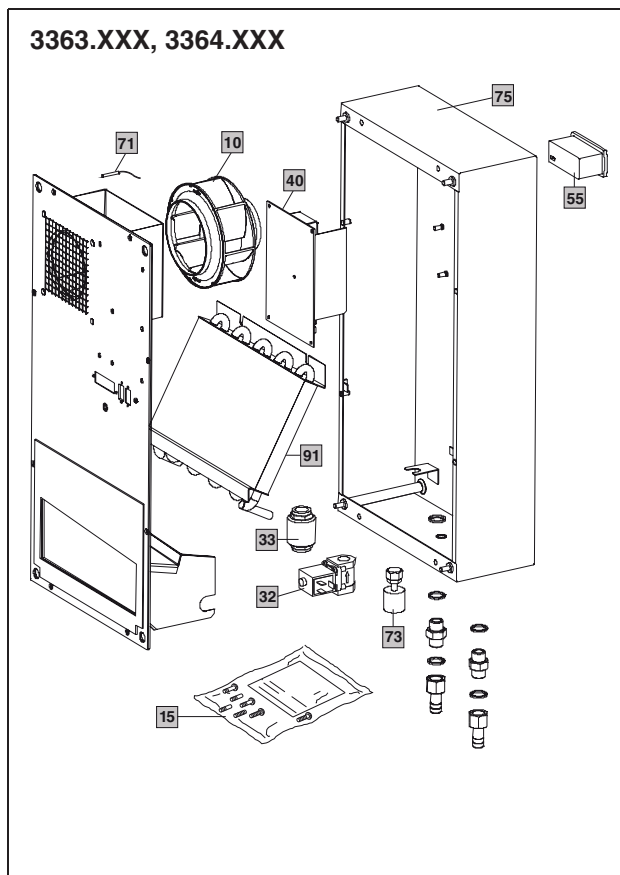


Fig. 32: Spare parts for 3363.XXX, 3364.XXX

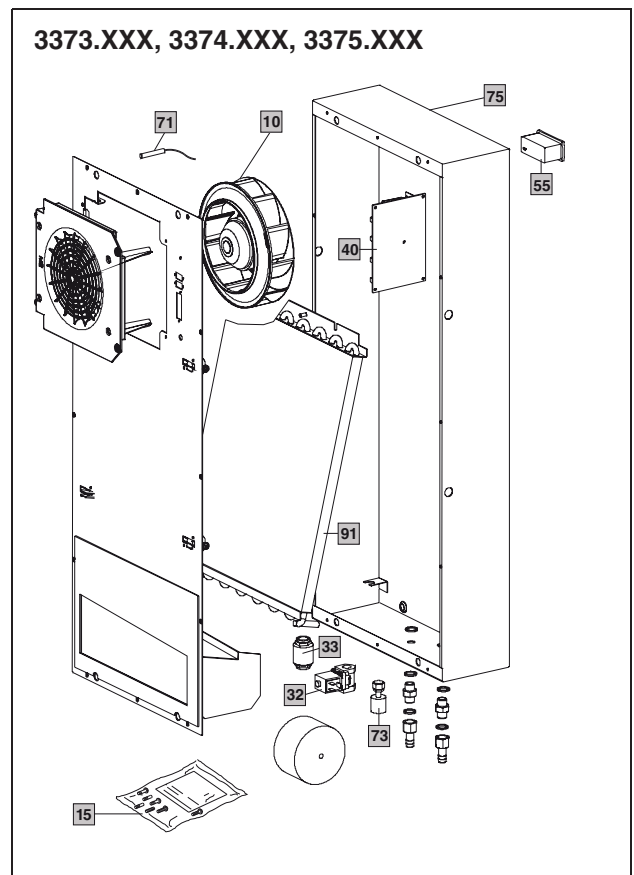


Fig. 33: Spare parts for 3373.XXX, 3374.XXX, 3375.XXX

Key

- 10 Fan, complete
- 15 Dispatch bag
- 32 Magnetic valve, complete
- 33 Non-return valve (only for 33XX.5XX)
- 40 Controller board
- 55 Display
- 71 Temperature probe
- 73 Float-actuated switch (only for 33XX.5XX)
- 75 Cover
- 91 Heat exchanger



Note:

As well as the spare part number, when ordering spare parts the following information must be provided:

- Unit model
- Fabrication number
- Date of manufacture

This information may be found on the rating plate.

11 Further technical information

11 Further technical information

11.1 Hydrological data

To avoid system damage and to ensure safe operation, Rittal GmbH & Co. KG recommends the use of system water or an additive whose composition does not differ from that presented in the following summary:

Hydrological data	Unit	Model No.	Model No. ¹⁾
	-	3363.100/500/ 3364.100/500/ 3373.100/110/140/500/510/540 3374.100/110/140/500/510/540 3375.100/110/140/500/510/540	3363.104/504 3364.104/504 3373.104/114/144/504/514/544 3374.104/114/144/504/514/544 3375.104/114/144/504/514/544
pH value		7 – 8.5	6 – 9
Calcium hardness	°dH	> 3 < 8	1 – 12
Free carbonic acid	mg/dm ³	8 – 15	1 – 100
Corresponding carbonic acid	mg/dm ³	8 – 15	free
Aggressive carbonic acid	mg/dm ³	free	0 – 400
Sulphides	mg/dm ³	free	free
Oxygen	mg/dm ³	< 10	< 10
Chloride ions	mg/dm ³	< 50	< 200
Sulphate ions	mg/dm ³	< 250	< 500
Nitrates and nitrites	mg/dm ³	< 10	< 100
COD	mg/dm ³	< 7	< 40
Ammonia	mg/dm ³	< 5	< 20
Iron	mg/dm ³	< 0.2	free
Manganese	mg/dm ³	< 0.2	free
Conductivity	µS/cm	< 2200	< 4000
Evaporation residue	mg/dm ³	< 500	< 2000
Potassium permanganate	mg/dm ³	< 25	< 40
Suspended matter	mg/dm ³	< 3	
	mg/dm ³	> 3 < 15; partial current purification recommended	
	mg/dm ³	> 15; continuous purification recommended	

¹⁾ The complete absence of corrosion under experimental conditions suggests that solutions with a significantly higher salt content and greater corrosion potential (such as seawater) can still be tolerated.

Tab. 11: Hydrological data

11.2 Characteristic curves

11.2.1 Water resistance

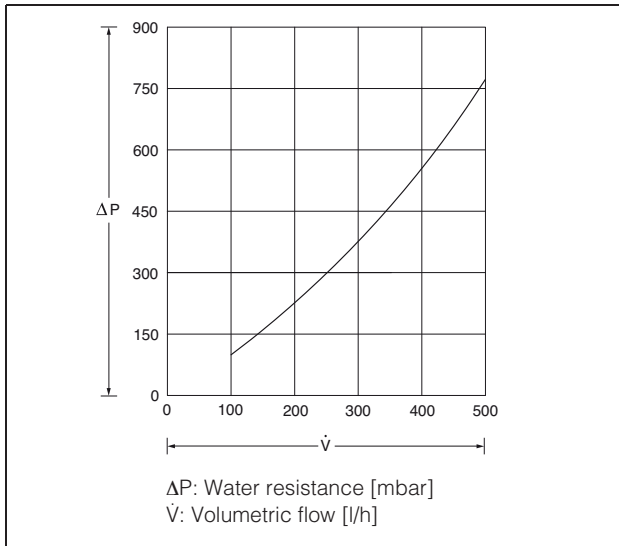


Fig. 34: Water resistance 3363.XXX

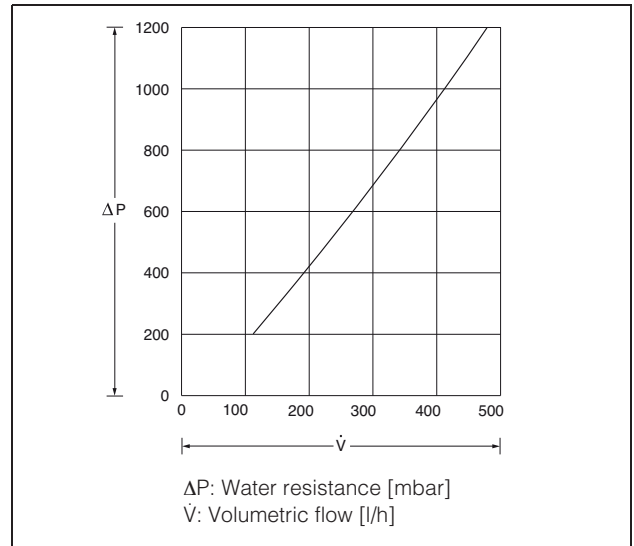


Fig. 37: Water resistance 3374.XXX

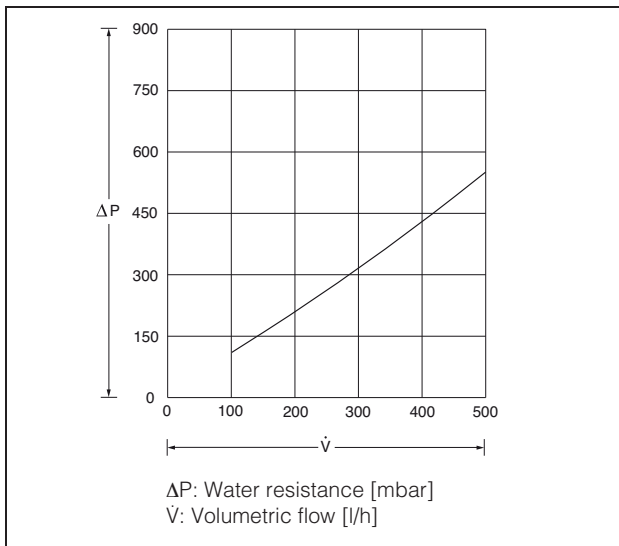


Fig. 35: Water resistance 3364.XXX

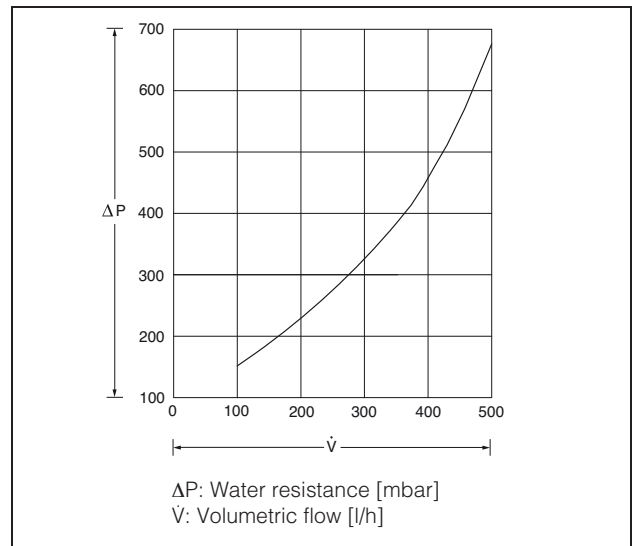


Fig. 38: Water resistance 3375.XXX

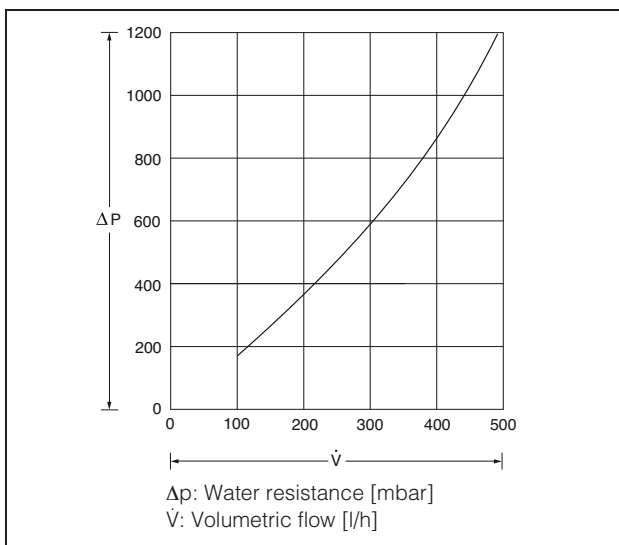


Fig. 36: Water resistance 3373.XXX

12 Appendix 1: Cut-out and hole sizes

12 Appendix 1: Cut-out and hole sizes

12.1 Dimensions for external and internal mounting

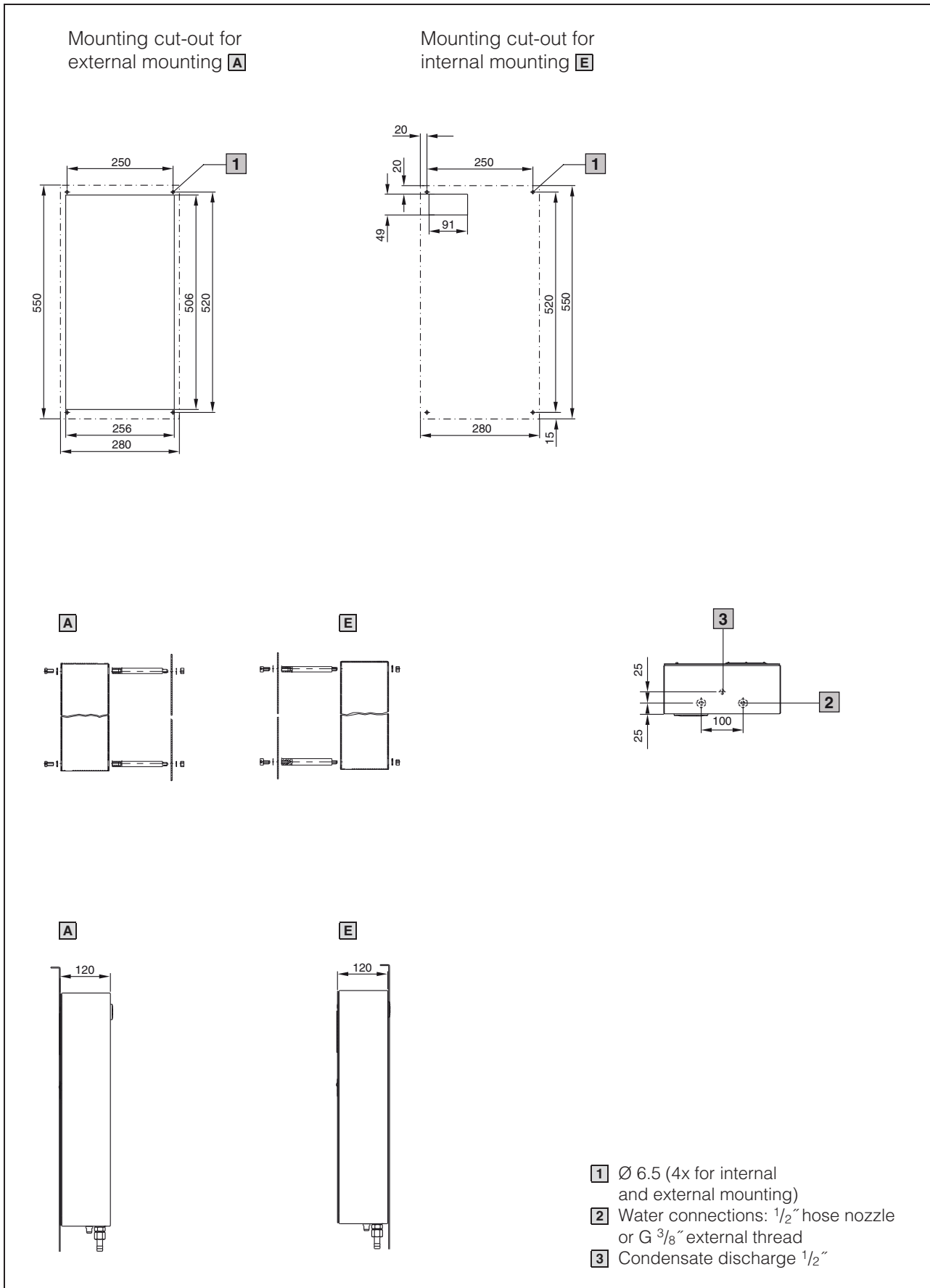


Fig. 39: 3363.XXX/3364.XXX

12 Appendix 1: Cut-out and hole sizes

EN

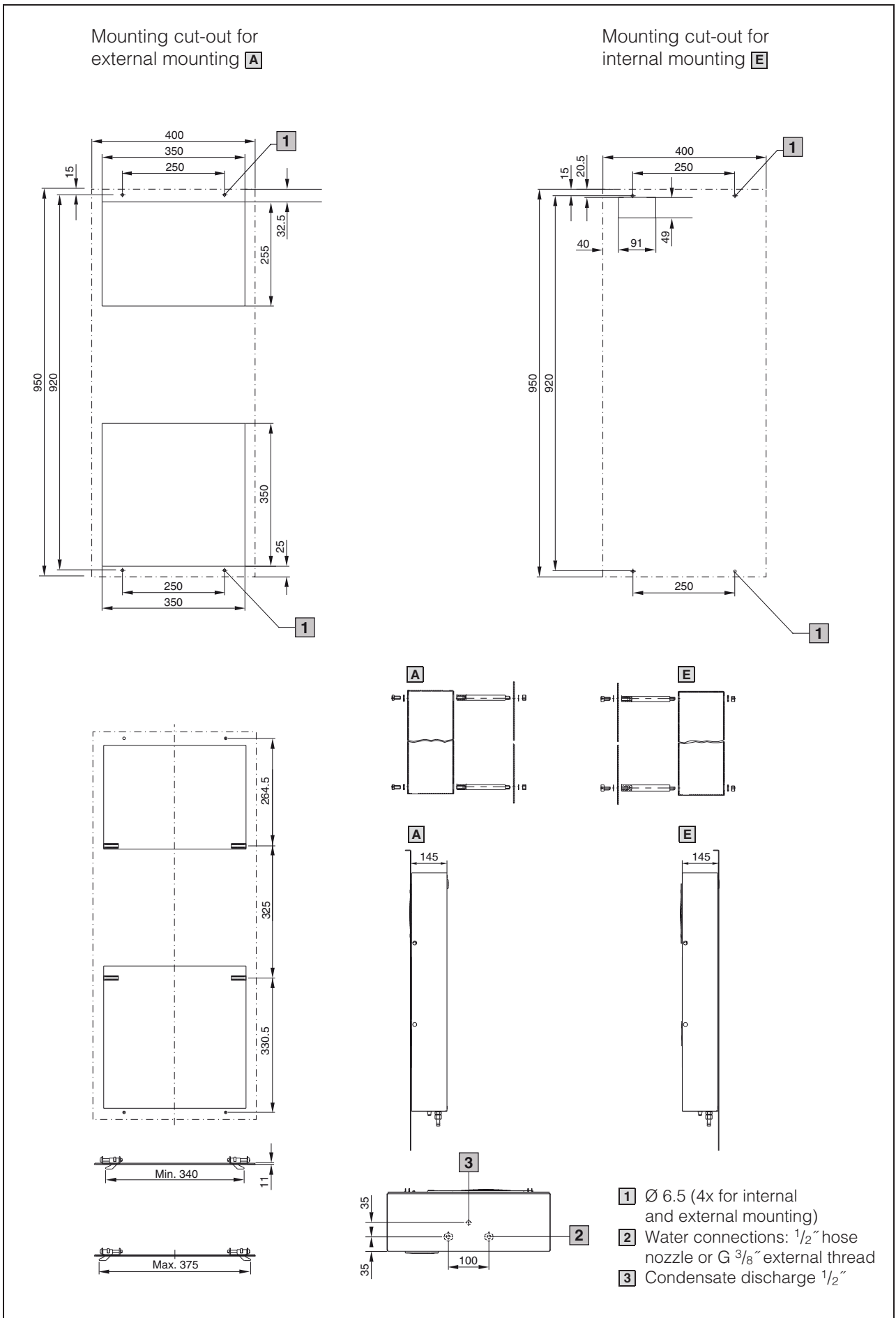
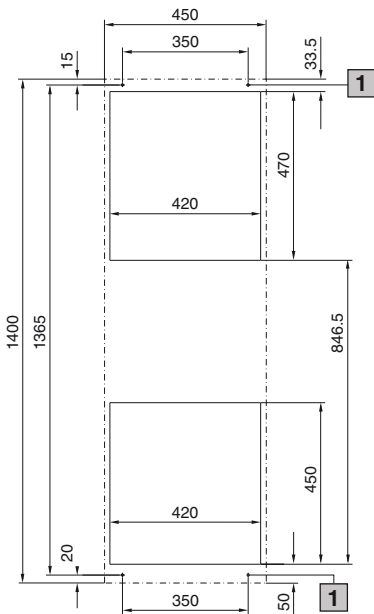


Fig. 40: 3373.XXX/3374.XXX

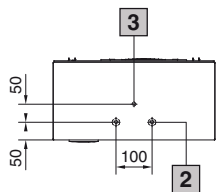
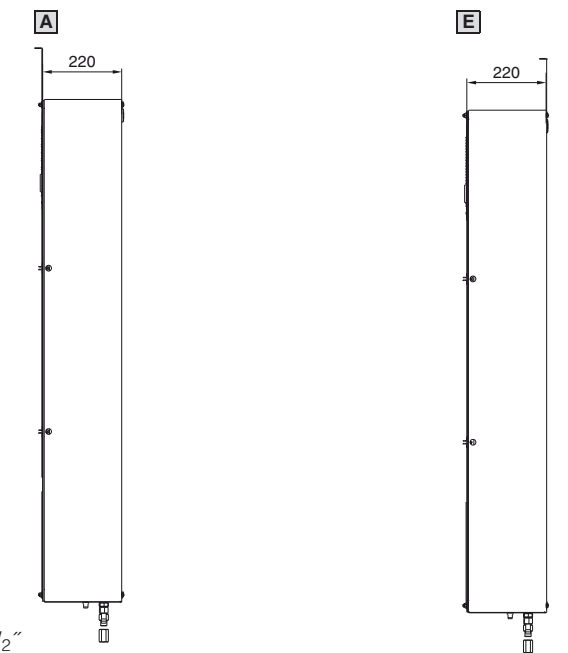
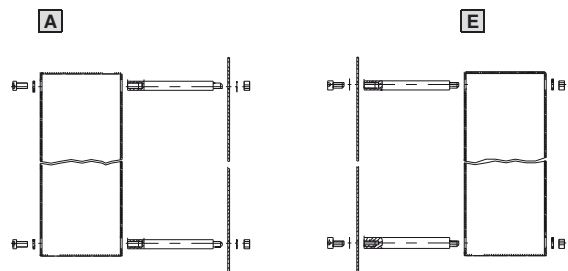
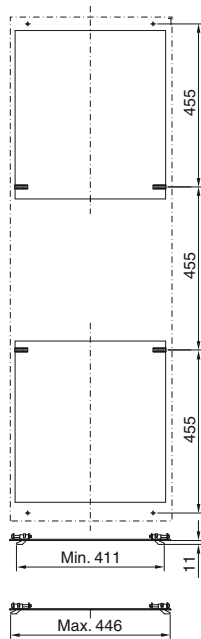
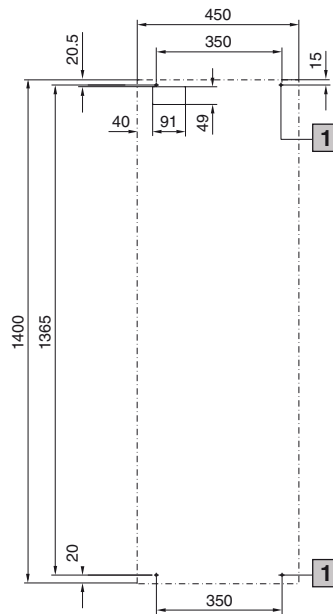
12 Appendix 1: Cut-out and hole sizes

EN

Mounting cut-out for external mounting **A**



Mounting cut-out for internal mounting **E**



- 1** Ø 6.5 (4x for internal and external mounting)
- 2** Water connections: 1/2" hose nozzle or G 3/8" external thread
- 3** Condensate discharge 1/2"

Fig. 41: 3375.XXX

13 Appendix 2: Application example Parallel connection of 4 air/water heat exchangers

Example: Parallel connection of 4 air/water heat exchangers with cold water supply via a recooling system.

Overflow valves and bypass control should be integrated into the recooling system and the customer's own pipeline system respectively.

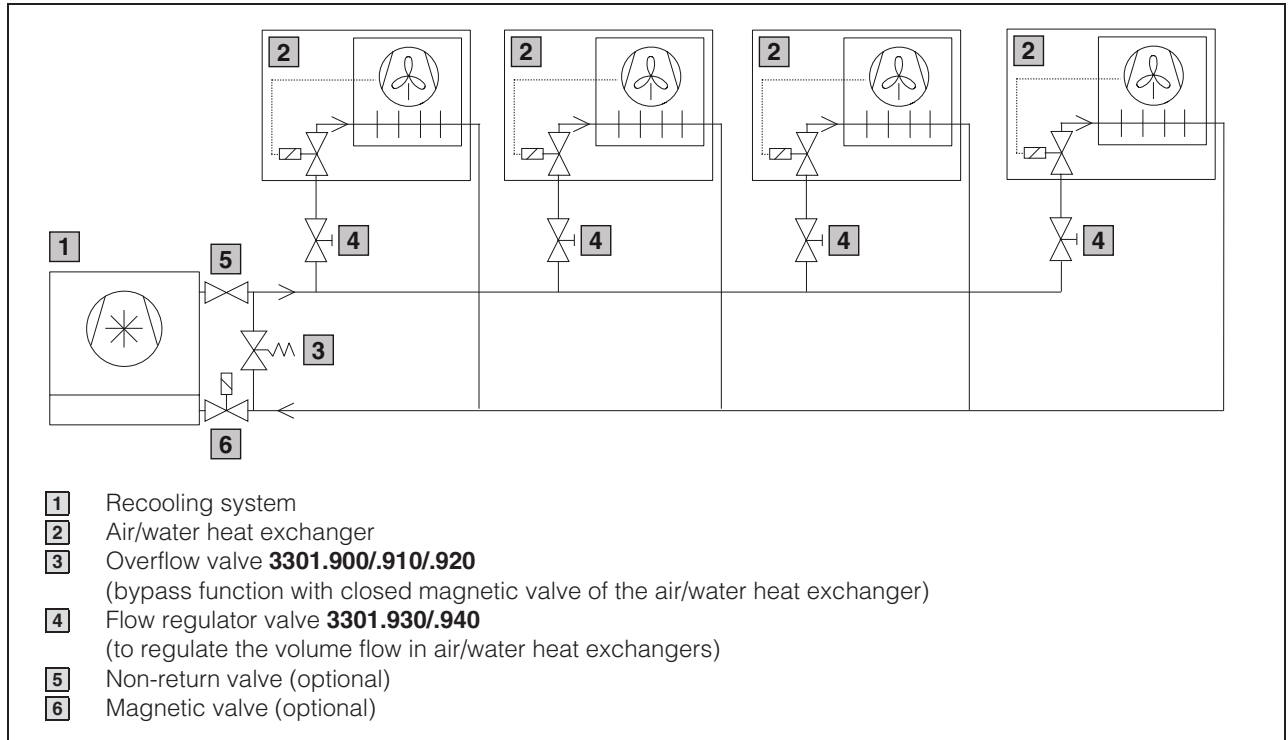


Fig. 42: Parallel connection of 4 air/water heat exchangers

Rittal – The System.

Faster – better – everywhere.

- Enclosures
- Power Distribution
- Climate Control
- IT Infrastructure
- Software & Services

RITTAL GmbH & Co. KG
Postfach 1662 · D-35726 Herborn
Phone +49(0)2772 505-0 · Fax +49(0)2772 505-2319
E-mail: info@rittal.de · www.rittal.com

ENCLOSURES

POWER DISTRIBUTION

CLIMATE CONTROL

IT INFRASTRUCTURE

SOFTWARE & SERVICES

FRIEDHELM LOH GROUP

