

**CP**  
**6212.500**

Raum für Verpackungsdatum  
Area for date of packing  
(MMJJTT / MMYDD)

4x



M6x20

4x



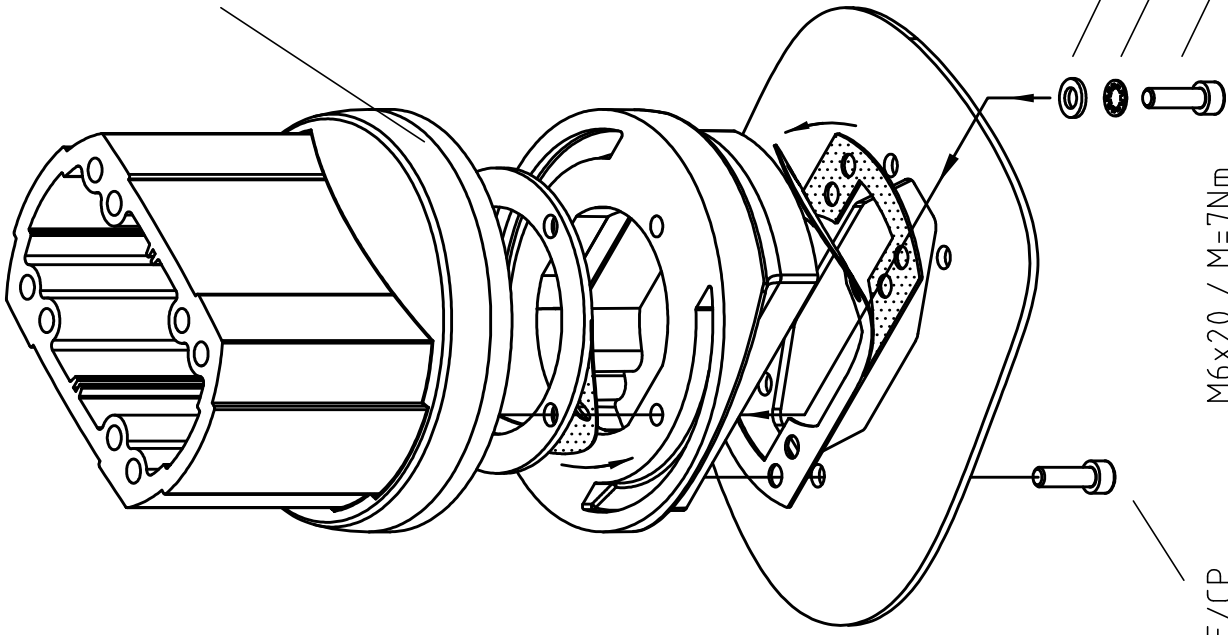
J 6,4

4x



A 6,4

CP6212.300  
CP6212.320  
CP6212.380  
CP6525.010  
CP6526.010  
CP6016.600  
CP6016.700  
CP6206.300  
CP6206.320  
CP6206.380



AE/CP ..... M6x20 / M=7Nm  
VIP/Optipanel M6x30 / M=7Nm  
Comfort-Panel M6x35 / M=7Nm

A6.4

J6.4

M6x20, M=7Nm

Zchng.-Nr. / No. of dwg. : A 41469 02 CP 73  
Versandbeutel-Nr. / No. of accessory bag :

Lieferanten-Nr. / No. of supplier :