



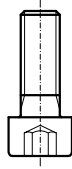
SO

2889.000

2890.000

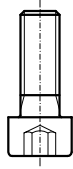
SO 2889 / SO 2890

4X 4X



M12x25

4X 4X



M8x20

/ 4X



M16

8X 4X



M12

4X 4X



M8

4X 4X

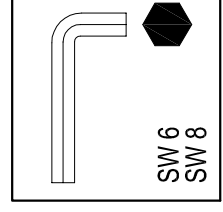
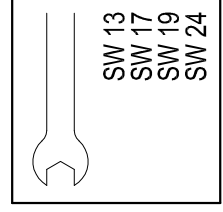
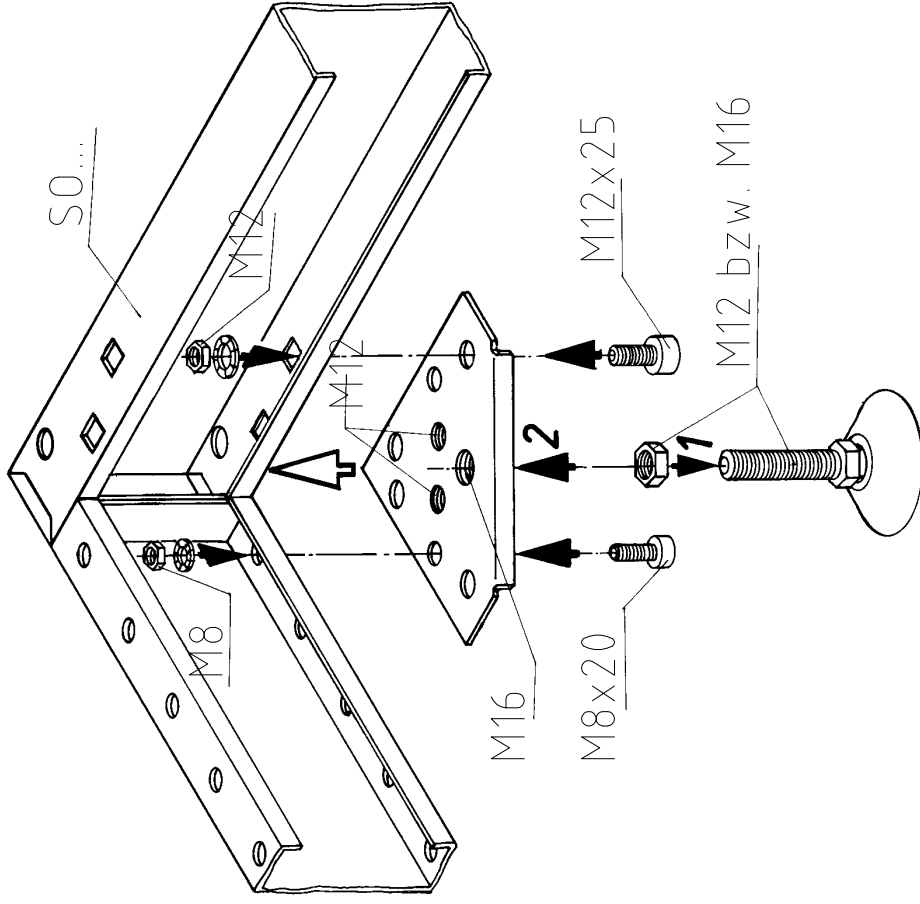


A13

4X 4X



A8,4



Zchng.-Nr. / No. of dwg. : A0594901SO
 Versandbeutel-Nr. / No. of accessory bag : -

Lieferanten-Nr. / No. of supplier :