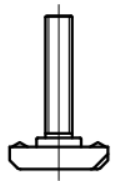

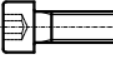

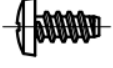








PS
 4347.000 4361.000
 4362.000 4363.000

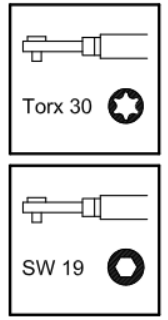
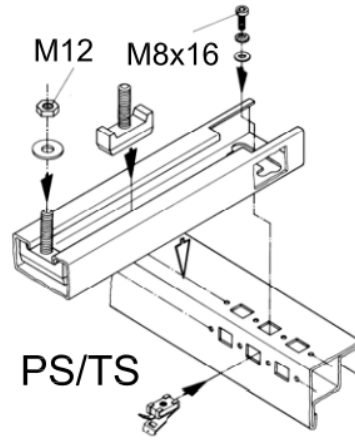
SV
 9673.004 9673.006
 9673.008

Raum für Verpackungsdatum
 Area for date of packing
 (MMJJTT / MMYDD)

- | | | | | | |
|----|---|----------|----|--|------|
| 4x |  | M12 | 4x |  | M12 |
| 4x |  | M8x16 | 4x |  | A13 |
| 8x |  | Bz5.5x13 | 8x |  | A8.4 |
| 4x |  | M8 | 4x |  | J8.4 |
| | | | 4x |  | A6.4 |

Zchng.-Nr. / No. of dwg. : A2198904PS
 Versandbeutel-Nr. / No. of accessory bag : 265372

Lieferanten-Nr. / No. of supplier :



PS/TS

