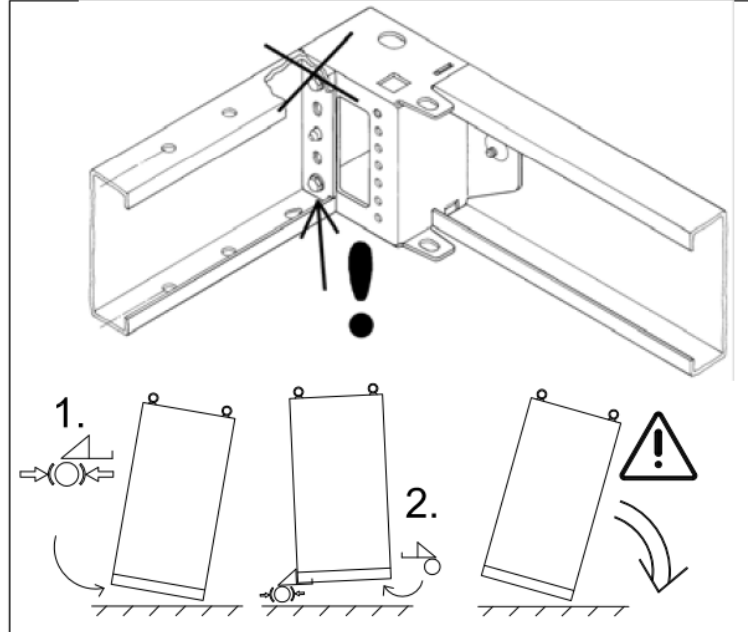
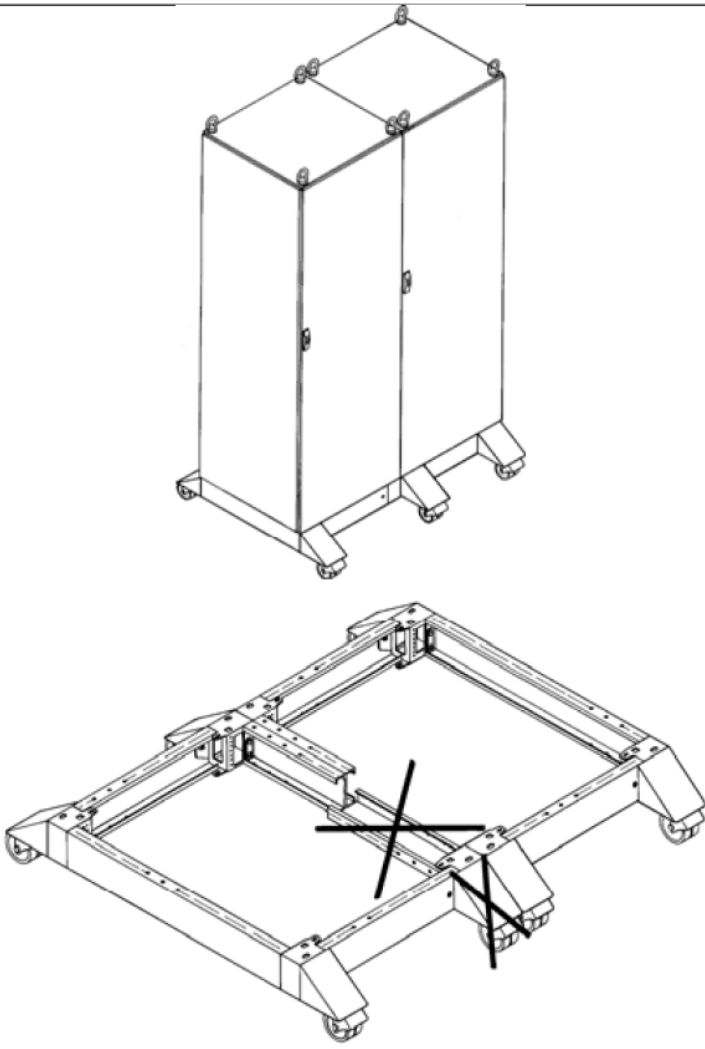




TS
8800.390

Raum für Verpackungsdatum
Area for date of packing
(MMJJTT / MMYDD)



Zchng.-Nr. / No. of dwg. : A2411803TS

Versandbeutel-Nr. / No. of accessory bag : -

Lieferanten-Nr. / No. of supplier :

