

# TS

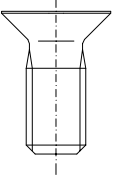
8612.740

8612.750

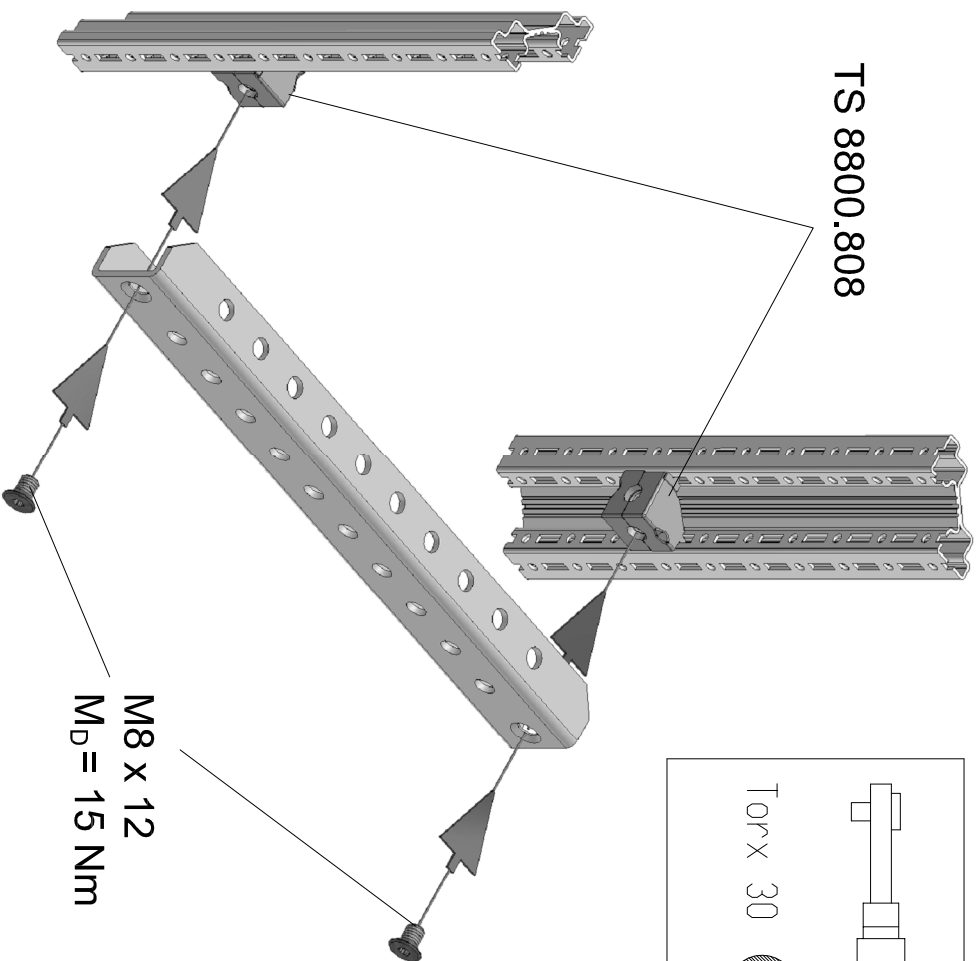
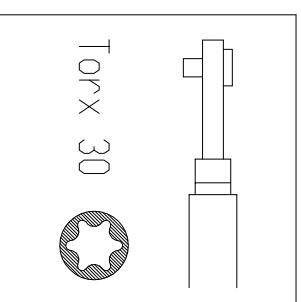
8612.760

7612.780

Raum für Verpackungsdatum  
Area for date of packing  
(MMJJTT / MMYDD)

4X  M8x12

TS 8800.808

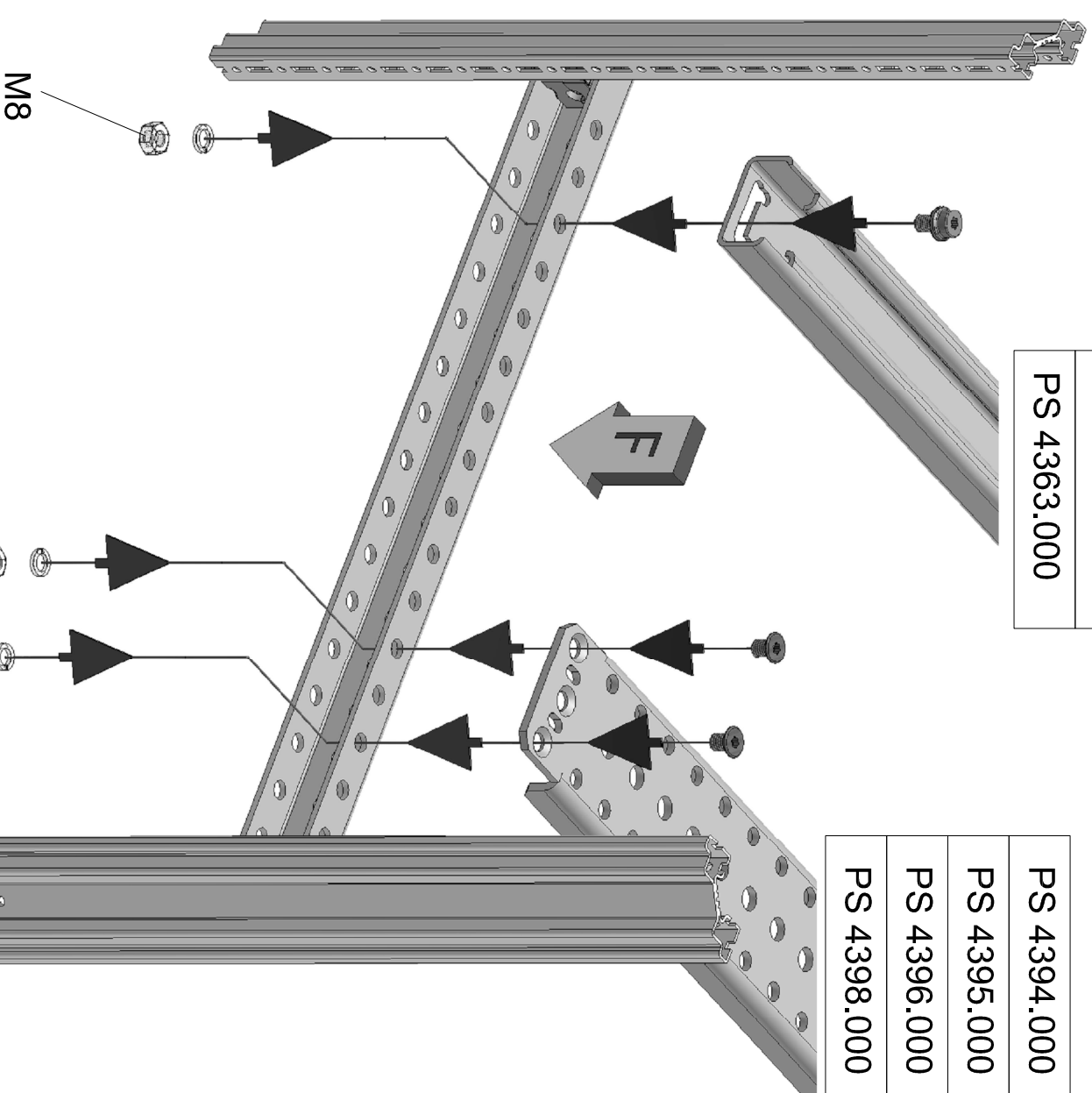


Zehng.-Nr. / No. of dwg. : A3199001TS  
Versandbeutel-Nr. / No. of accessory bag : -

Lieferanten-Nr. / No. of supplier :

PS 4361.000
PS 4362.000
PS 4347.000
PS 4363.000

PS 4394.000
PS 4395.000
PS 4396.000
PS 4398.000



TS 8612.740	$F_{\max} = 2650 \text{ N}$
TS 8612.750	$F_{\max} = 2040 \text{ N}$
TS 8612.760	$F_{\max} = 1660 \text{ N}$
TS 8612.780	$F_{\max} = 1200 \text{ N}$