



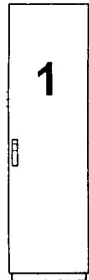
SZ

4127.010
 2500.460
 2500.470
 4315.810
 4315.820
 5050.510

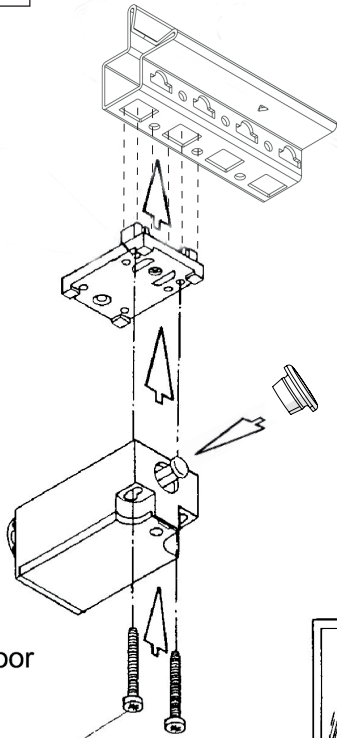
horizontal* / vertical

VX (1&2)

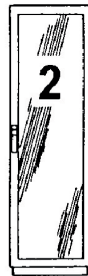
* Nur oben / Only on top



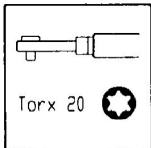
1= Blechtür/
 Sheet Metal door



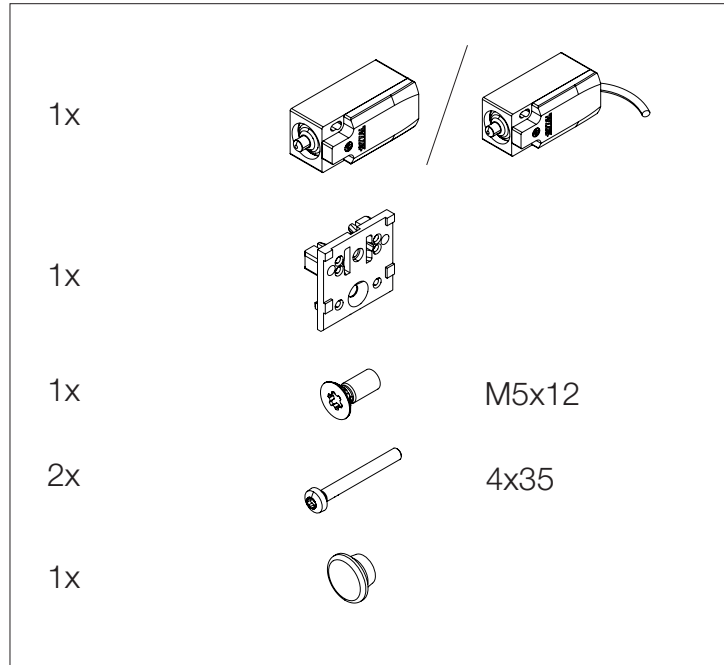
4x35
 $M_A = 2Nm$



2= Sichttür/
 Viewing door



Torx 20

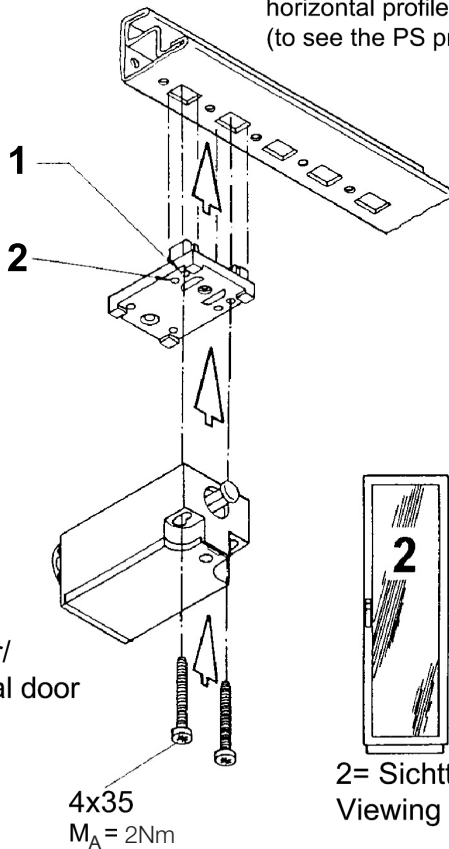


Dok.-Nr. / No of doc.: D-0000-00001366-03
 Zchnng.-Nr. / No. of dwg.: -

Lieferanten-Nr. / No. of supplier: 6021440

horizontal
PS (1 & 2)
TS (1)

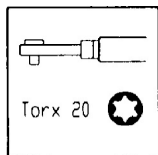
horizontal profile
(to see the PS profile)



1= Blechtür/
Sheet Metal door

2= Sichttür/
Viewing door

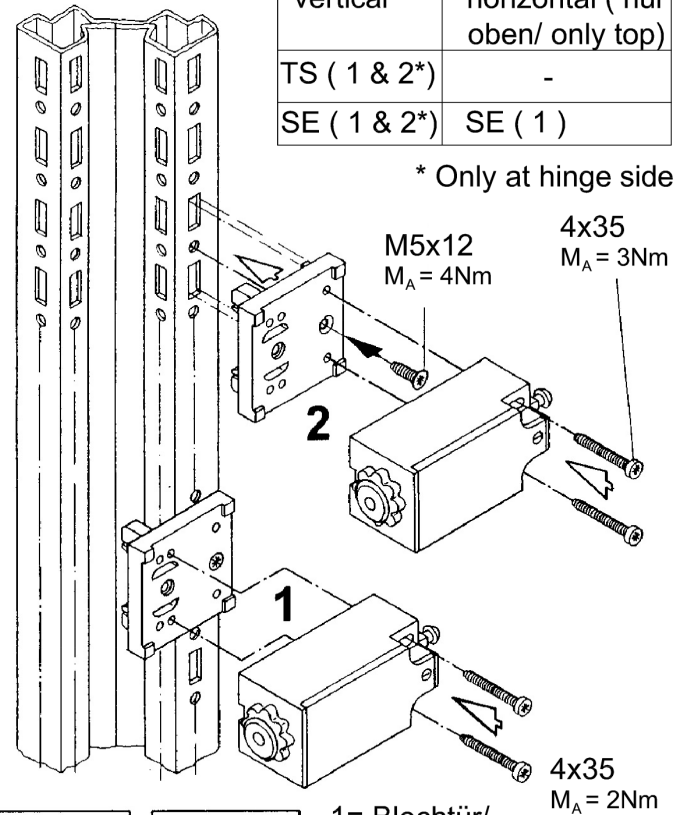
4x35
 $M_A = 2Nm$



vertical/ horizontal profile

vertical	horizontal (nur oben/ only top)
TS (1 & 2*)	-
SE (1 & 2*)	SE (1)

* Only at hinge side



M5x12
 $M_A = 4Nm$

4x35
 $M_A = 3Nm$

4x35
 $M_A = 2Nm$

1= Blechtür/
Sheet Metal door
2= Sichttür/
Viewing door

