



SV
3418.010
3427.010
3433.010



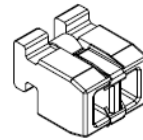
Raum für Verpackungsdatum
Area for date of packing
(MMJJTT / MMYDD)

10 SV Reitersicherungselemente

10 SV Bus-mounting fuse bases

10 SV Socles fusibles curseurs

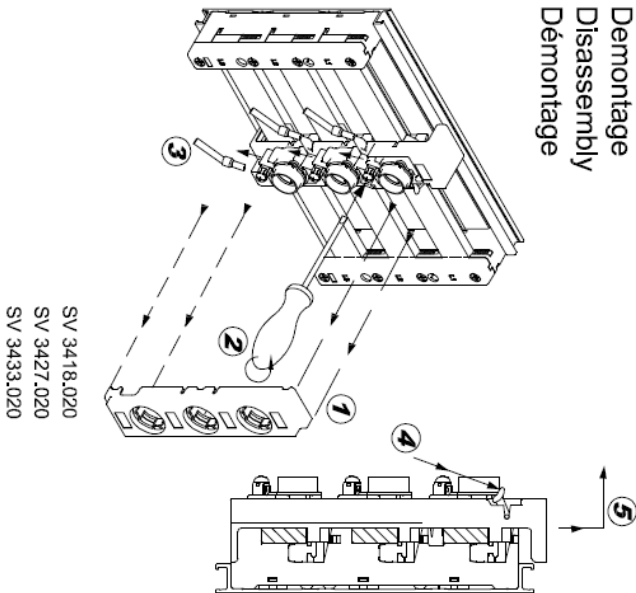
30x



Zchng.-Nr. / No. of dwg.: A4525903SV
Versandbeutel-Nr. / No. of accessory bag :-

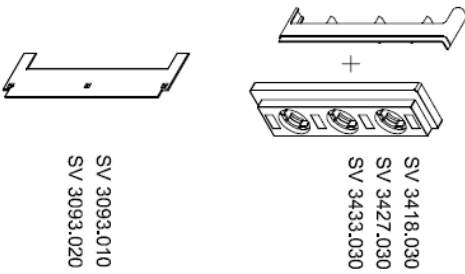
Lieferanten-Nr. / No. of supplier :

Demontage
Disassembly
Démontage



SV 3418.020
SV 3427.020
SV 3433.020

Zubehör
Accessories
Accessoires

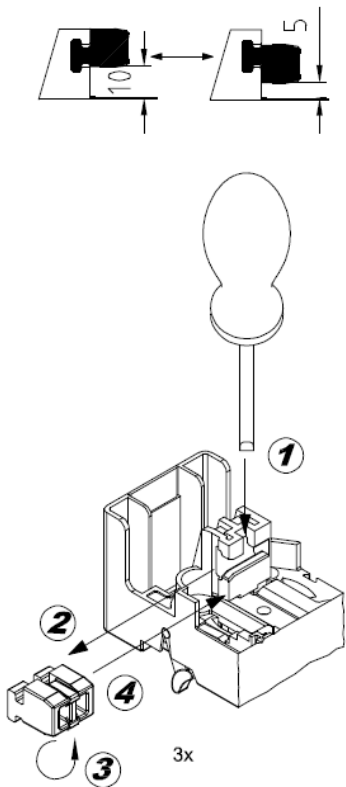


SV 3093.010
SV 3093.020

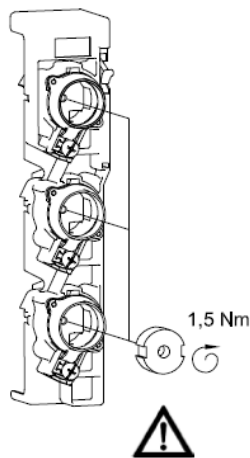
SV 3418.030
SV 3427.030
SV 3433.030

For further information: www.rittal.com

Umbau 5/10 mm
Reconstruction 5/10 mm
Restructuration 5/10 mm

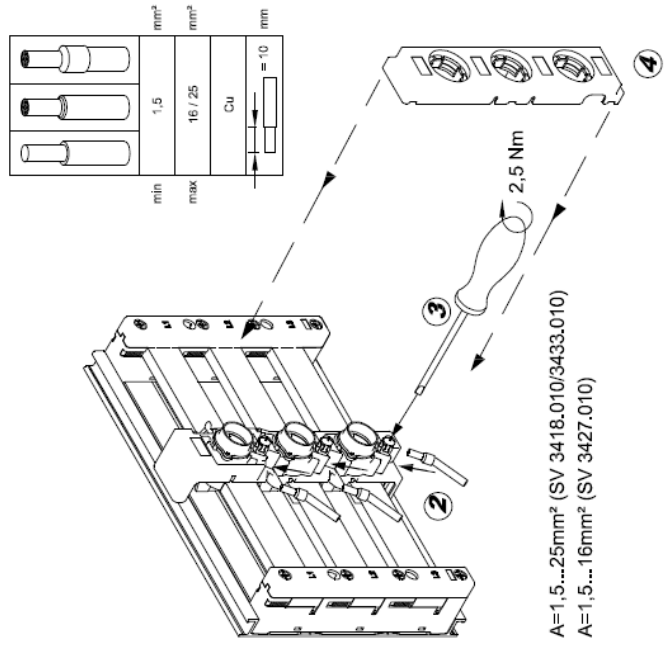


3x



SV 3427.010
SV 3433.010

Montage
Assembly
Montage



A=1.5...25mm² (SV 3418.010/3433.010)
A=1.5...16mm² (SV 3427.010)

