
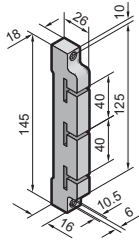


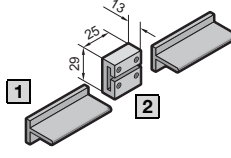

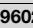

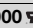
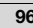

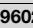

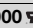
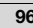

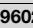

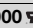
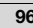


### Mini-PLS railsteunen


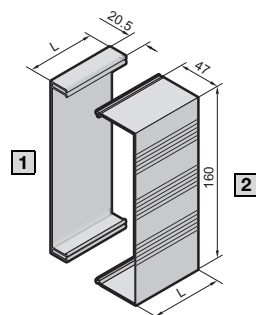

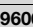
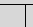

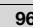

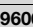
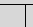

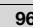

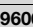
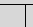

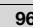
3-polig

|  |  |
|--|--|
| 40 mm railhartafstand<br><b>Toelating:</b><br><br>E191125 |                  |
| <b>Bestelnr. SV</b>  | <b>9600.000</b>  |

### Mini-PLS geprofileerd railkoper E-Cu en railkoppeling

|   |  |   |   |  |   |  |   |
|---|--|---|---|--|---|--|---|
| <b>Toelating:</b><br><br>E191125 |   |   |   |  |   |  |   |
|   | [1] Railkoper (railkoperdoorsnede 120 mm <sup>2</sup> , raildikte 3 mm)  |   |   |  |   |  |   |
| <b>Bestelnr. SV</b>   | <table border="1" style="width: 100%; border-collapse: collapse;"> <tr> <td style="width: 25%;"></td> <td style="width: 25%; text-align: center;"><b>9601.000</b> </td> <td style="width: 25%; text-align: center;"><b>9602.000</b> </td> <td style="width: 25%; text-align: center;"><b>9603.000</b> </td> <td style="width: 25%; text-align: center;"><b>9624.000</b> </td> <td style="width: 25%; text-align: center;"><b>9611.000</b> </td> </tr> </table> |   | <b>9601.000</b>  | <b>9602.000</b>   | <b>9603.000</b>    | <b>9624.000</b>  | <b>9611.000</b>  |
|   | <b>9601.000</b>   | <b>9602.000</b>  | <b>9603.000</b>  | <b>9624.000</b>  | <b>9611.000</b>  |  |   |
| Lengte mm   | <table border="1" style="width: 100%; border-collapse: collapse;"> <tr> <td style="width: 25%;"></td> <td style="width: 25%; text-align: center;">500</td> <td style="width: 25%; text-align: center;">700</td> <td style="width: 25%; text-align: center;">1100</td> <td style="width: 25%; text-align: center;">1500</td> <td style="width: 25%; text-align: center;">-</td> </tr> </table>  |   | 500   | 700  | 1100  | 1500   | -   |
|   | 500  | 700   | 1100  | 1500   | -   |  |   |
| Aandraaimoment Nm   | <table border="1" style="width: 100%; border-collapse: collapse;"> <tr> <td style="width: 25%;"></td> <td style="width: 25%; text-align: center;">-</td> <td style="width: 25%; text-align: center;">-</td> <td style="width: 25%; text-align: center;">-</td> <td style="width: 25%; text-align: center;">-</td> <td style="width: 25%; text-align: center;">Max. 2</td> </tr> </table>   |   | -   | -  | -   | -  | Max. 2  |
|   | -  | -   | -   | -  | Max. 2  |  |   |

### Mini-PLS bescherming tegen aanraken


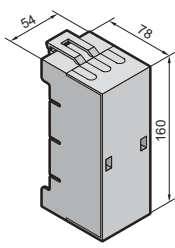
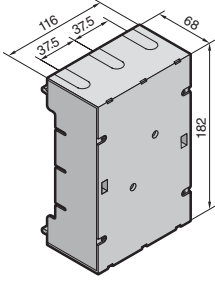


|   |  |   |   |  |   |  |   |
|---|--|---|---|--|---|--|---|
| <b>Toelating:</b><br><br>E191125 |    |   |   |  |   |  |   |
|   | [1] Bodemprofiel   |   |   |  |   |  |   |
| <b>Bestelnr. SV</b>   | <table border="1" style="width: 100%; border-collapse: collapse;"> <tr> <td style="width: 25%;"></td> <td style="width: 25%; text-align: center;"><b>9605.000</b> </td> <td style="width: 25%; text-align: center;"><b>9606.000</b> </td> <td style="width: 25%; text-align: center;"><b>9607.000</b> </td> <td style="width: 25%; text-align: center;"><b>9608.000</b> </td> <td style="width: 25%; text-align: center;"><b>9609.000</b> </td> </tr> </table> |   | <b>9605.000</b>  | <b>9606.000</b>   | <b>9607.000</b>    | <b>9608.000</b>  | <b>9609.000</b>  |
|   | <b>9605.000</b>   | <b>9606.000</b>  | <b>9607.000</b>  | <b>9608.000</b>  | <b>9609.000</b>  |  |   |
| Lengte (L) mm   | <table border="1" style="width: 100%; border-collapse: collapse;"> <tr> <td style="width: 25%;"></td> <td style="width: 25%; text-align: center;">500</td> <td style="width: 25%; text-align: center;">700</td> <td style="width: 25%; text-align: center;">1100</td> <td style="width: 25%; text-align: center;">250</td> <td style="width: 25%; text-align: center;">500</td> </tr> </table>   |   | 500   | 700  | 1100  | 250  | 500   |
|   | 500  | 700   | 1100  | 250  | 500   |  |   |

# Stroomverdeling

## Mini-PLS railsysteem (40 mm)

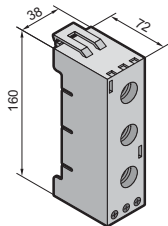
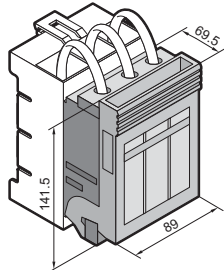
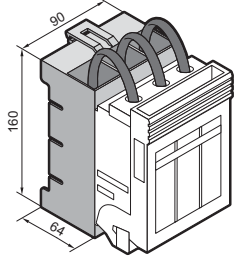
### Mini-PLS aansluitadapters

3-polig

|   |   |   |          |
|---|---|---|----------|
| Afgaande aansluiting boven/onder<br><b>Opmerking:</b><br>Technische informatie over het aansluiten van aders en aderaansluitingen, zie hoofdstuk 2-101, pagina 4<br><b>Toelating:</b><br><br>E191125 |                  |                  |          |
|   | Nominale stroom max.  | 63 A  | 250 A    |
| Nominale spanning   | IEC   | 690 V AC  | 690 V AC |
|   | UL  | 600 V AC  | 600 V AC |
| <b>Bestelnr. SV</b>   | <b>9613.000</b>  | <b>9612.000</b>  |          |
| <b>Montagegegevens</b>  |   |   |          |
| Aandraaimoment Nm<br>Aderaansluitschroef  | 3   | 6   |          |
| Aansluiting van ronde aders mm <sup>2</sup>   | 1,5 – 35  | 10 – 120  |          |
| Klemruimte voor<br>gelamelleerd railkoper B x H mm  | 10 x 8  | 17 x 15   |          |

### Mini-PLS zekeringscomponenten


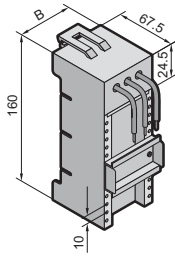
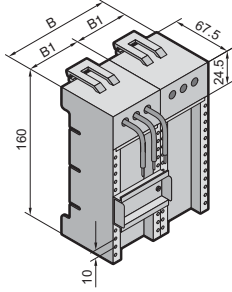
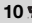


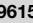

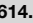

3-polig

|   |   |  |   |
|---|---|--|---|
| <b>Opmerking:</b><br>Meer technische informatie over SV 3431.000, zie hoofdstuk 2-115, pagina 1 |  |  |  |
|   | Componenten   | Zekeringhouder   | NH-zekeringlastscheiders  |
| Smeltpatroon  | D 02-E 18   | –  | –   |
| Nominale stroom max.  | 63 A  | 100 A  | –   |
| Nominale spanning   | 400 V AC  | 690 V AC   | –   |
| <b>Bestelnr. SV</b>   | <b>9630.000</b>   | <b>3431.000</b>  | <b>9629.100</b>   |
| <b>Montagegegevens</b>  |   |  |   |
| Aandraaimoment Nm<br>Frameklem  | 2,5   | 3  | –   |
| Aansluiting van ronde aders mm <sup>2</sup>   | 1,5 – 16 <sup>1)</sup>  | 1,5 – 50   | –   |
| Met aansluitdraden mm <sup>2</sup>  | –   | –  | 35  |
| Klemruimte voor<br>gelamelleerd railkoper B x H mm  | –   | 10 x 10  | –   |

<sup>1)</sup> Bij toepassing van soepele aders dienen adereindhulzen (f) te worden gebruikt.

### Mini-PLS apparatenadapters


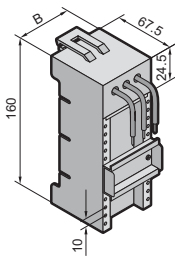
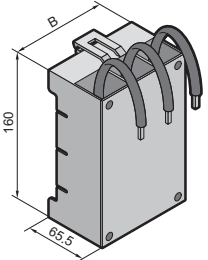
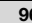
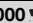

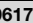
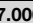
Nominale stroom max. 12 – 25 A, 3-polig

|  |   |   |   |   |   |   |   |
|--|---|---|---|---|---|---|---|
| <b>Opmerking:</b><br>Technische informatie over de stroombelastbaarheid van aansluitdraden, zie hoofdstuk 2-101, pagina 5<br><br><b>Toelating:</b><br><br>E191125 |                  |   |   |   |   |   |                |
|  | Breedte (B) mm  | 45  | 45  | 45  | 54  | 54  | 72  |
| Breedte (B1) mm  | –   | –   | –   | –   | –   | –   | 45  |
| Nominale stroom max.   | 12 A  | 25 A  | 25 A  | 25 A  | 25 A  | 25 A  | 25 A  |
| Nominale spanning  | IEC   | 690 V AC  | 690 V AC  | 690 V AC  | 690 V AC  | 690 V AC  | 690 V AC  |
|  | UL  | 600 V AC  | 600 V AC  | 600 V AC  | 600 V AC  | 600 V AC  | 600 V AC  |
| Aansluitdraden <sup>1)</sup>   | AWG 14  | AWG 12  | AWG 12  | AWG 12  | AWG 12  | AWG 12  | AWG 12  |
| Montagerails hoogte mm   | 7,5   | 7,5   | 15  | 7,5   | 15  | 7,5   | 7,5   |
| <b>Bestelnr. SV</b>  | <b>9614.110</b>  | <b>9614.100</b>  | <b>9615.100</b>  | <b>9614.000</b>  | <b>9615.000</b>  | <b>9625.000</b>  | <b>9629.010</b>  |

<sup>1)</sup> AWG = American Wire Gauges · AWG 14 = 2,08 mm<sup>2</sup> ± 2,5 mm<sup>2</sup> · AWG 12 = 3,31mm<sup>2</sup> ± 4 mm<sup>2</sup>

### Mini-PLS apparatenadapters

Nominale stroom max. 40 – 100 A, 3-polig

|  |   |   |   |   |   |
|--|---|---|---|---|---|
| <b>Opmerking:</b><br>Technische informatie over de stroombelastbaarheid van aansluitdraden, zie hoofdstuk 2-101, pagina 5<br><br><b>Toelating:</b><br><br>E191125 |                  |   |   |   |                |
|  | Breedte (B) mm  | 54  | 54  | 72  | 72  |
| Nominale stroom max.   | 40 A  | 40 A  | 40 A  | 40 A  | 100 A   |
| Nominale spanning  | IEC   | 690 V AC  | 690 V AC  | 690 V AC  | 690 V AC  |
|  | UL  | 600 V AC  | 600 V AC  | 600 V AC  | 600 V AC  |
| Aansluitdraden <sup>1)</sup>   | AWG 10  | AWG 10  | AWG 10  | AWG 10  | 35 mm <sup>2</sup>  |
| Montagerails hoogte mm   | 7,5   | 15  | 7,5   | 15  | –   |
| <b>Bestelnr. SV</b>  | <b>9616.000</b>  | <b>9617.000</b>  | <b>9627.000</b>  | <b>9628.000</b>  | <b>9629.000</b>  |

<sup>1)</sup> AWG = American Wire Gauges · AWG 10 = 5,26 mm<sup>2</sup> ± 6 mm<sup>2</sup>