

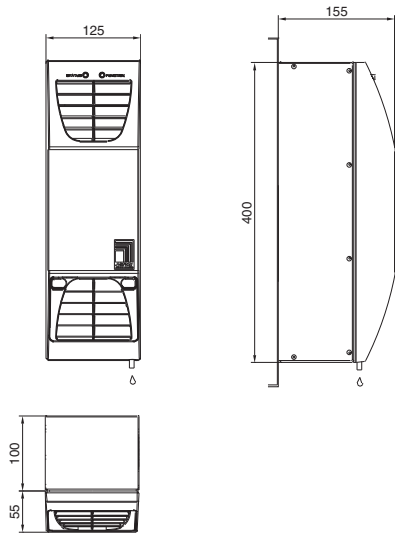
Climate control

Cooling units

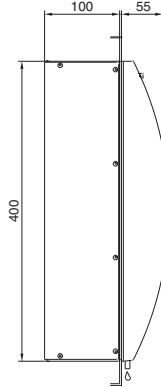
Thermoelectric coolers

SK 3201.200, SK 3201.300

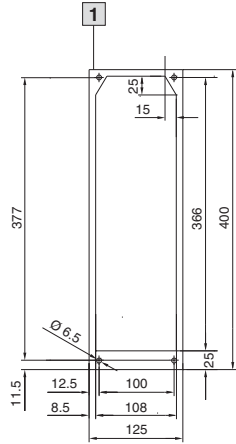
External mounting



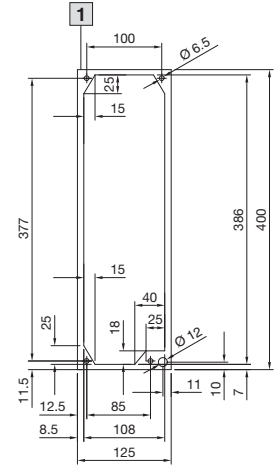
Internal mounting



Mounting cut-out for external mounting



Mounting cut-out for internal mounting

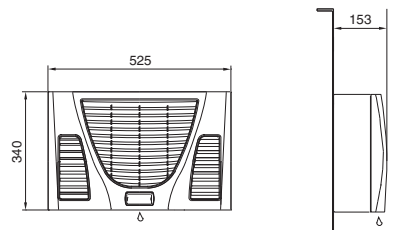


1 Outer contour of climate control unit

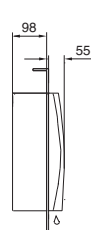
Wall-mounted cooling units

TopTherm, horizontal format, SK 3302.300, SK 3302.310

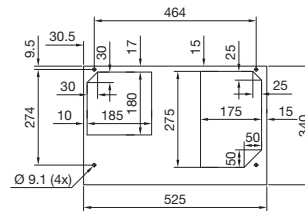
External mounting



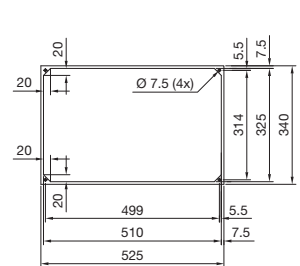
Internal mounting



Mounting cut-out for external mounting

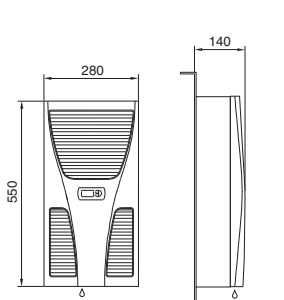


Mounting cut-out for internal mounting

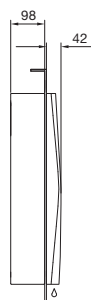


TopTherm, SK 3302.XXX

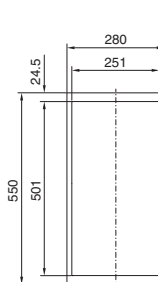
External mounting



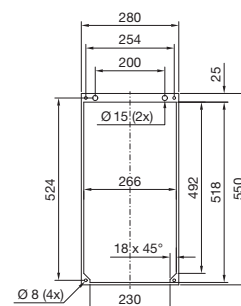
Internal mounting



Mounting cut-out for external mounting

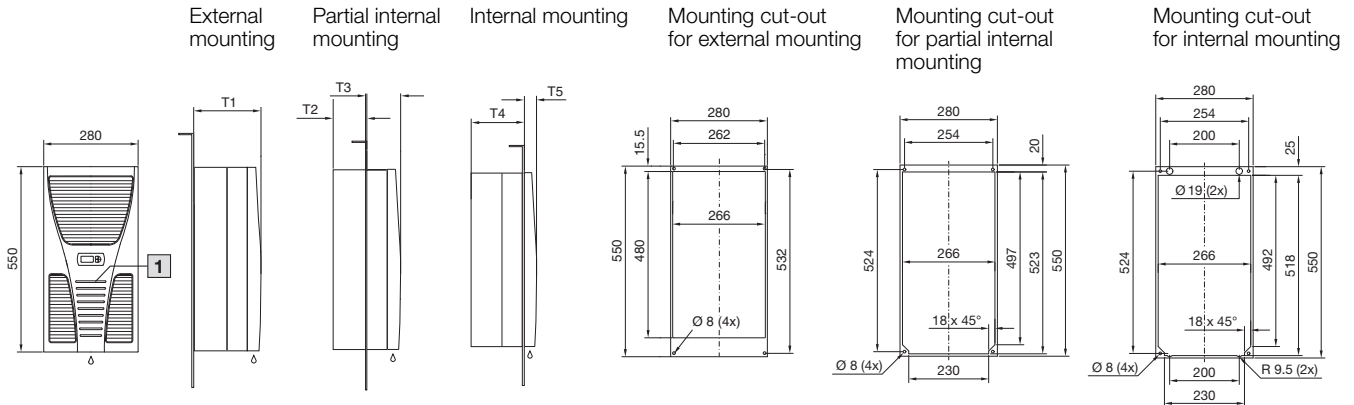


Mounting cut-out for internal mounting



Wall-mounted cooling units

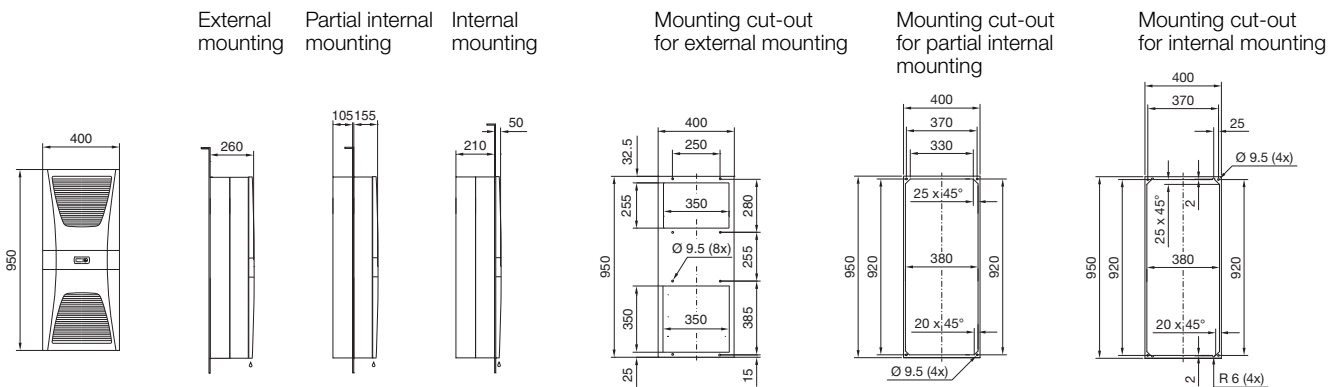
TopTherm Blue e, SK 3303.XXX, SK 3361.XXX



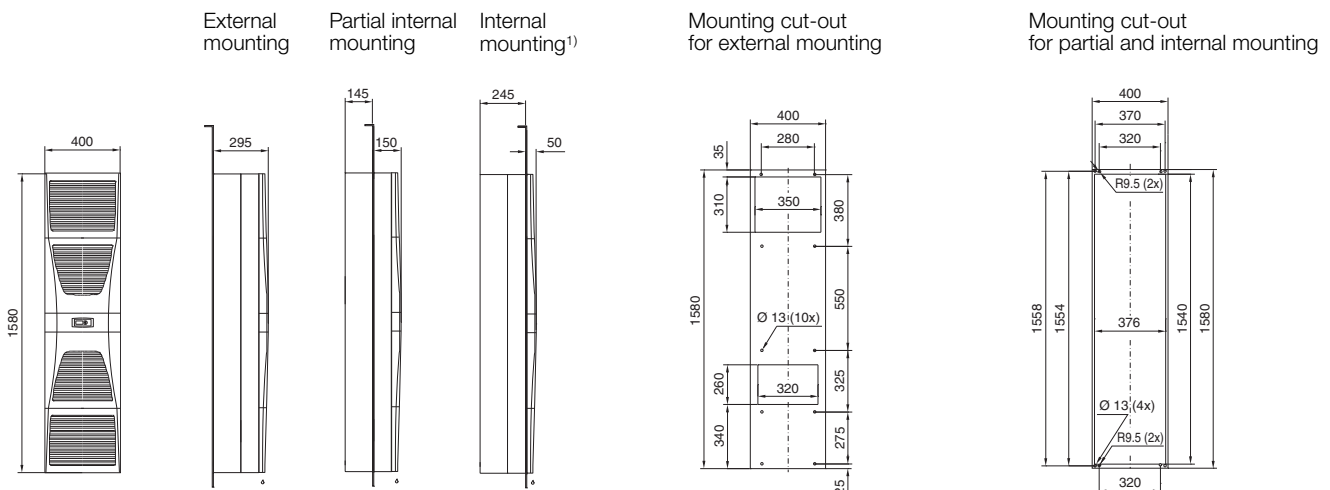
Model No. SK	Output class	T1	T2	T3	T4	T5
3303.XXX	500 W	206	100	106	164	42
3361.XXX	750 W	280	125	155	235	45

1 Only with 3361.XXX

TopTherm Blue e, SK 3304.XXX, SK 3305.XXX



TopTherm Blue e, SK 3328.XXX, SK 3329.XXX



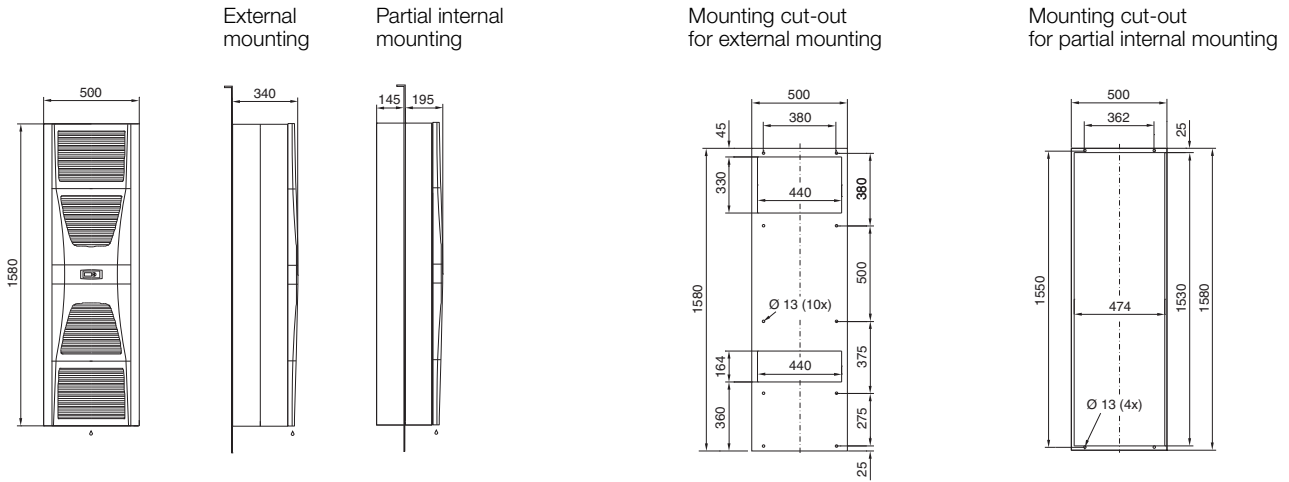
1) For installation in 600 mm wide doors, move the mounting cut-out from the centre of the door towards the hinged side by at least 10 mm

Climate control

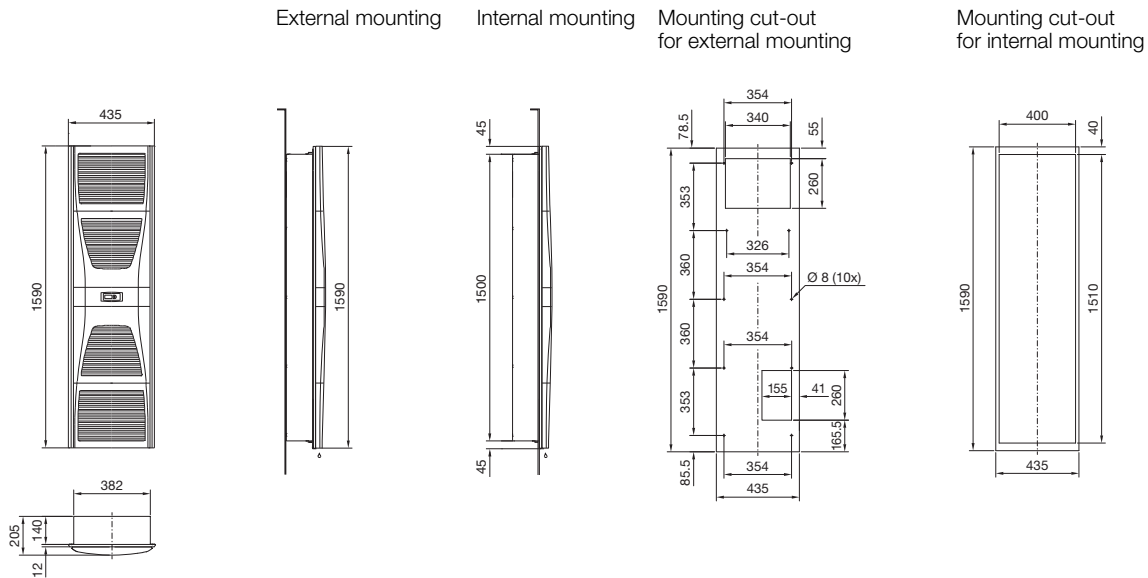
Cooling units

Wall-mounted cooling units

TopTherm Blue e, SK 3332.XXX



TopTherm Blue e, slimline, SK 3366.XXX



Wall-mounted cooling units

Blue e+,

SK 3185.530, SK 3185.830, SK 3186.630, SK 3186.930, SK 3187.630, SK 3187.930, SK 3188.640, SK 3188.940, SK 3189.640, SK 3189.940

Overview of mounting options of Blue e+ cooling units on enclosures

Installation type		1	No standard			2	3	4	5	6	7	8	9	10	11	12	13	14
Width mm	500	■	■	■	■	■	-	-	-	-	-	-	-	-	-	-	-	-
	600	-	-	-	-	-	■	■	■	■	■	-	-	-	-	-	-	-
	800	-	-	-	-	-	-	-	-	-	■	■	■	■	-	-	-	-
	1000 (2 x 500)	-	-	-	-	-	-	-	-	-	-	-	-	-	■	■	-	-
	1200 (2 x 600)	-	-	-	-	-	-	-	-	-	-	-	-	-	-	-	■	■
Door variant	Lockable door	-	-	-	-	-	-	-	-	-	-	-	-	-	■	-	■	-
	Hinged door	-	-	-	-	-	-	-	-	-	-	-	-	-	-	■	-	■
	Single door	-	■	■	■	■	■	■	■	■	■	■	■	■	-	-	-	-
	Side panel	■	-	-	-	-	-	-	-	■	-	-	-	-	-	-	-	-
Lock systems	Standard (double-bit)	-	-	■	-	■	-	■	-	■	-	■	-	■	-	-	-	-
	Comfort handle	-	■	-	■	-	■	-	■	-	■	-	■	-	■	-	■	-
Hinge	130°	-	-	-	■	■	-	-	■	■	-	-	■	■	■	■	■	■
	180°	-	■	■	-	-	■	■	-	-	■	■	-	-	-	-	-	-
Mounting type	External mounting	■	■	■	■	■	■	■	■	■	■	■	■	■	■	■	■	■
	Partial internal mounting	■	■	■	■	■	■	■	■	■	■	■	■	■	-	■	■	■
	Full internal mounting ¹⁾ (2 and 2.6 kW)	■	-	-	-	-	■	■	■	■	■	■	■	■	-	■	■	■

¹⁾ Move the cut-out towards the door hinge by 20 mm

Blue e+, SK 3185.530, SK 3185.830

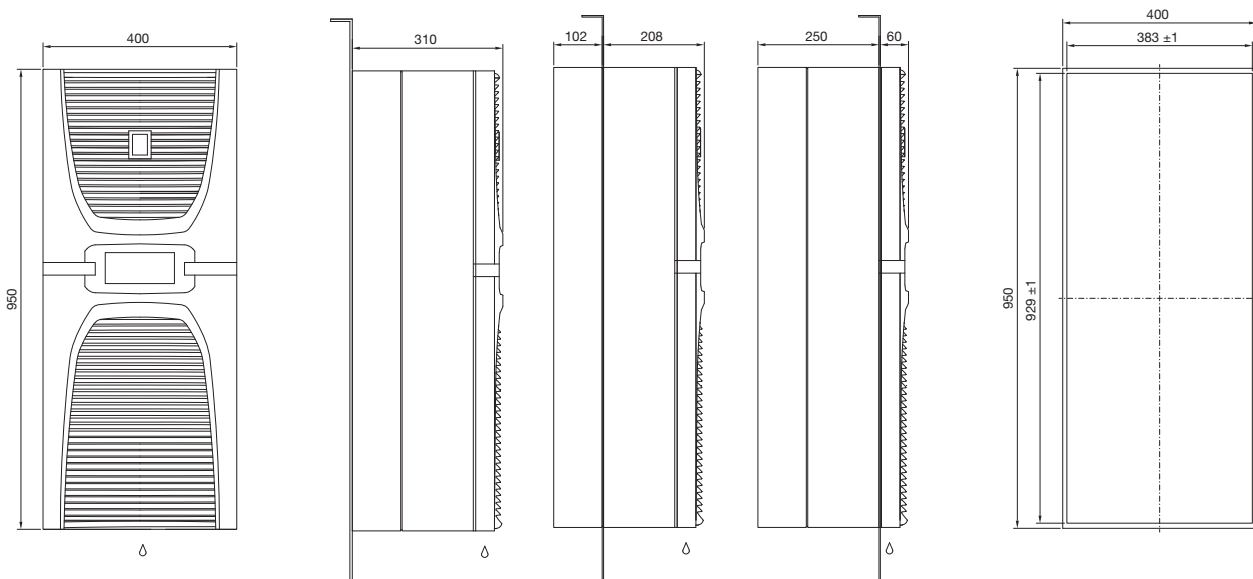
Installation options SK 3185.530, SK 3185.830

External mounting

Partial internal mounting

Internal mounting

Mounting cut-out for external mounting, partial internal mounting, internal mounting



Climate control

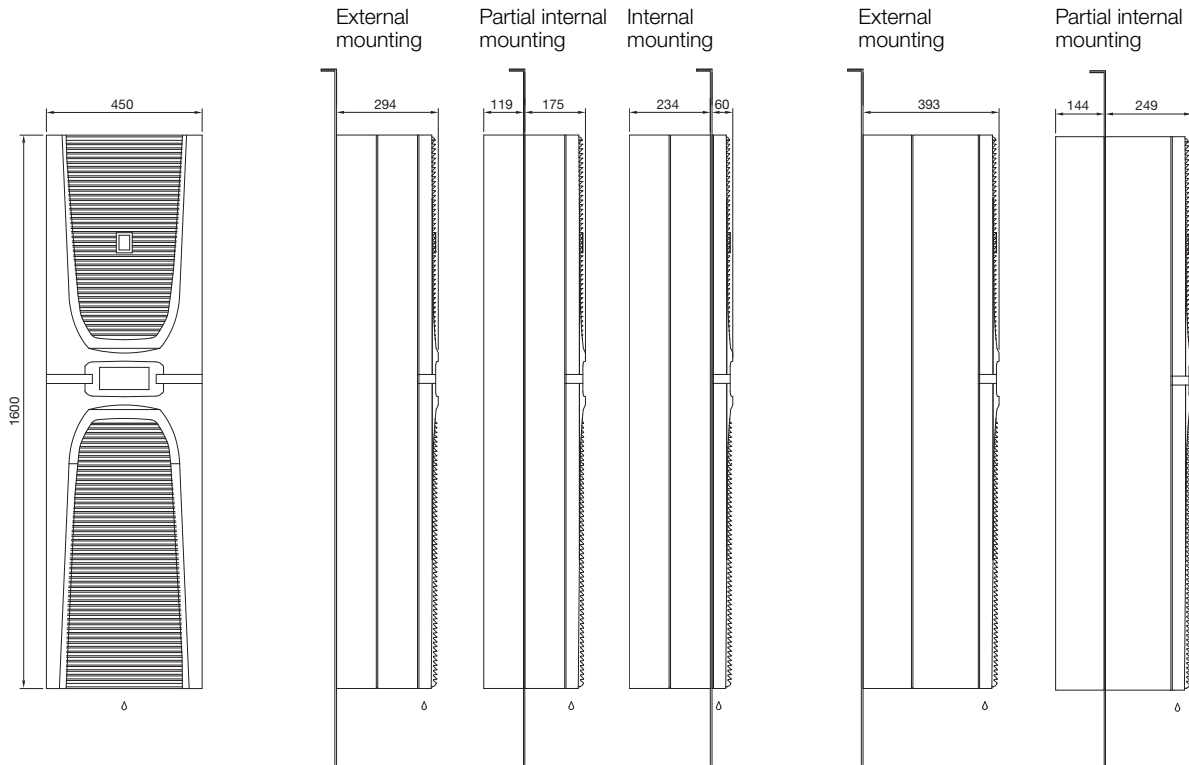
Cooling units

Wall-mounted cooling units

Blue e+, SK 3186.630, SK 3186.930, SK 3187.630, SK 3187.930, SK 3188.640, SK 3188.940, SK 3189.640, SK 3189.940

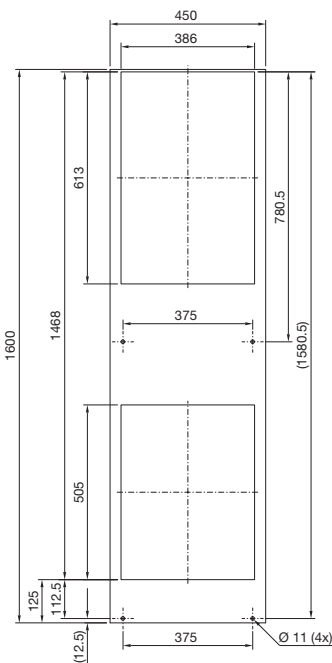
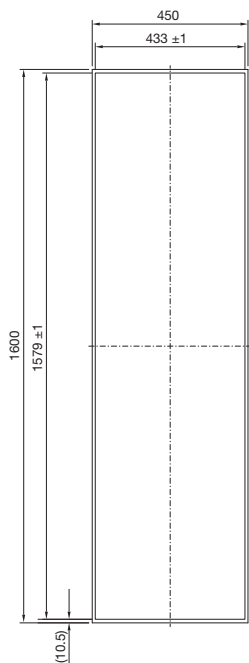
Installation options
SK 3186.630, SK 3186.930,
SK 3187.630, SK 3187.930

Installation options
SK 3188.640, SK 3188.940,
SK 3189.640, SK 3189.940



Mounting cut-out
for external mounting, partial internal
mounting, internal mounting for door,
rear and side panel, $W \geq 600$ mm

Mounting cut-out
for external mounting for rear
and side panel, $W = 500$ mm



Important installation instructions for full internal mounting

- Not generally possible for 4.2 and 5.8 kW
- For 600 mm wide enclosure doors, please note:
Move the cut-out towards the door hinge by
25 mm, and dismantle the tubular door frame

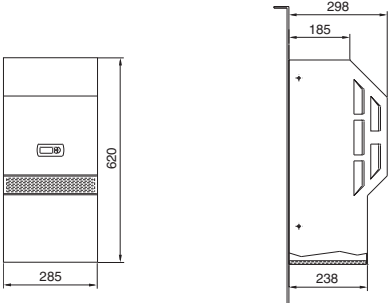
Important installation instructions for external mounting on 500 mm deep enclosures

- Partial internal mounting and full internal
mounting not supported
- External mounting only possible with mounting
cut-out for 500 mm deep enclosures

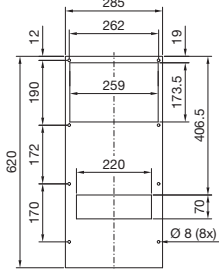
Wall-mounted cooling units

TopTherm Blue e, design NEMA 4X, SK 3303.XXX

External mounting

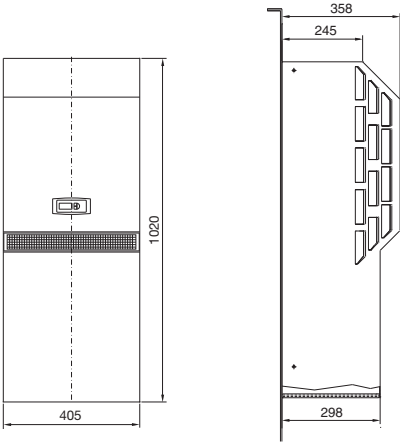


Mounting cut-out for external mounting

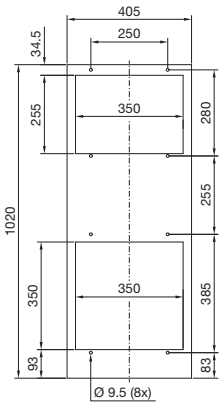


TopTherm Blue e, design NEMA 4X, SK 3304.XXX, SK 3305.XXX

External mounting



Mounting cut-out for external mounting



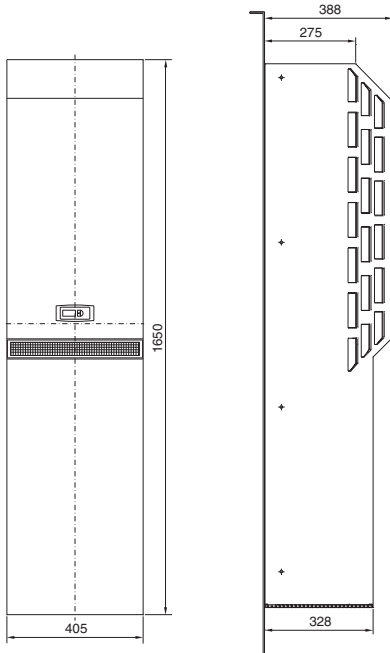
Climate control

Cooling units

Wall-mounted cooling units

TopTherm Blue e, design NEMA 4X, SK 3328.XXX, SK 3329.XXX

External mounting



Mounting cut-out for external mounting

